



Chipsmall Limited consists of a professional team with an average of over 10 year of expertise in the distribution of electronic components. Based in Hongkong, we have already established firm and mutual-benefit business relationships with customers from,Europe,America and south Asia,supplying obsolete and hard-to-find components to meet their specific needs.

With the principle of “Quality Parts,Customers Priority,Honest Operation,and Considerate Service”,our business mainly focus on the distribution of electronic components. Line cards we deal with include Microchip,ALPS,ROHM,Xilinx,Pulse,ON,Everlight and Freescale. Main products comprise IC,Modules,Potentiometer,IC Socket,Relay,Connector.Our parts cover such applications as commercial,industrial, and automotives areas.

We are looking forward to setting up business relationship with you and hope to provide you with the best service and solution. Let us make a better world for our industry!



## Contact us

Tel: +86-755-8981 8866 Fax: +86-755-8427 6832

Email & Skype: info@chipsmall.com Web: www.chipsmall.com

Address: A1208, Overseas Decoration Building, #122 Zhenhua RD., Futian, Shenzhen, China



# Digilent Spartan-3 System Board

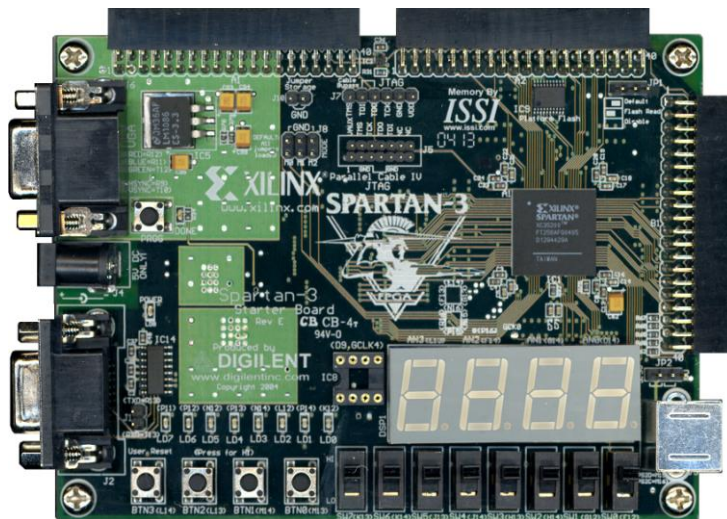


www.digilentinc.com

215 E Main Suite D | Pullman, WA 99163  
(509) 334 6306 Voice and Fax

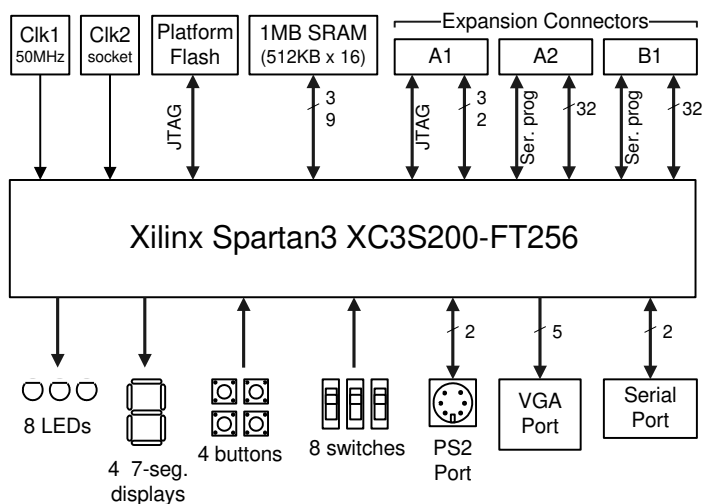
Revision: June 18, 2004

The Spartan-3 Starter board provides a powerful, self-contained development platform for designs targeting the new Spartan-3 FPGA from Xilinx. It features a 200K gate Spartan-3, on-board I/O devices, and two large memory chips, making it the perfect platform to experiment with any new design, from a simple logic circuit to an embedded processor core. The board also contains a Platform Flash JTAG-programmable ROM, so designs can easily be made non-volatile. The S-3 Starter board is fully compatible with all versions of the Xilinx ISE tools, including the free WebPack. It ships with a power supply and a programming cable, so designs can be implemented immediately with no hidden costs.



## FEATURES

- 200K gate Xilinx Spartan-3 FPGA with twelve 18-bit multipliers, 216Kbits of block RAM, and up to 500MHz internal clock speeds
- On-board 2Mbit Platform Flash (XCF02S)
- 8 slide switches, 4 pushbuttons, 8 LEDs, and 4-digit seven-segment display
- Serial port, VGA port, and PS/2 mouse/keyboard port
- Three 40-pin expansion connectors
- Three high-current voltage regulators (3.3V, 2.5V, and 1.2V)
- Works with JTAG3 programming cable, and P4 & MultiPRO cables from Xilinx



S3 Starter Board Block Diagram

## APPLICATIONS

- Circuit designs from simple logic to complex controllers
- Embedded processor cores, including MicroBlaze
- Great for educational programs