



Chipsmall Limited consists of a professional team with an average of over 10 year of expertise in the distribution of electronic components. Based in Hongkong, we have already established firm and mutual-benefit business relationships with customers from,Europe,America and south Asia,supplying obsolete and hard-to-find components to meet their specific needs.

With the principle of “Quality Parts,Customers Priority,Honest Operation,and Considerate Service”,our business mainly focus on the distribution of electronic components. Line cards we deal with include Microchip,ALPS,ROHM,Xilinx,Pulse,ON,Everlight and Freescale. Main products comprise IC,Modules,Potentiometer,IC Socket,Relay,Connector.Our parts cover such applications as commercial,industrial, and automotives areas.

We are looking forward to setting up business relationship with you and hope to provide you with the best service and solution. Let us make a better world for our industry!



Contact us

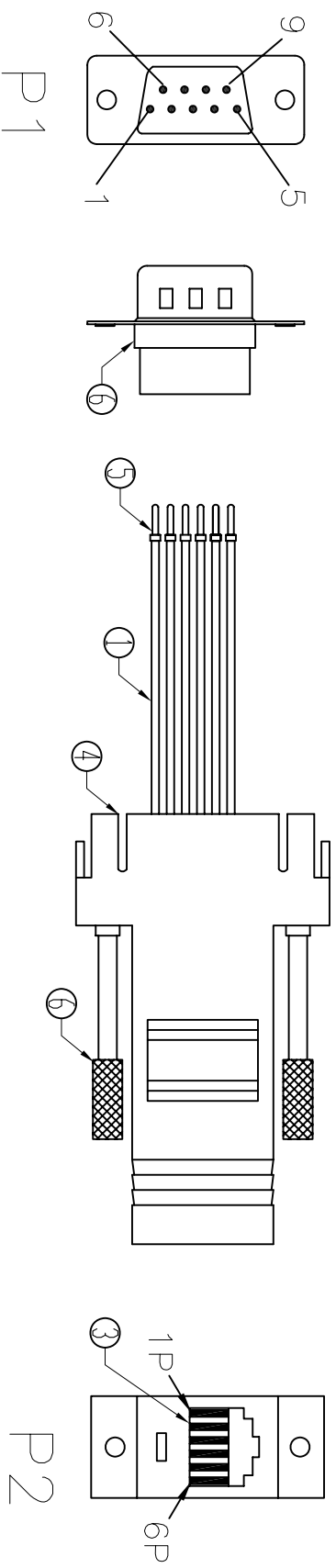
Tel: +86-755-8981 8866 Fax: +86-755-8427 6832

Email & Skype: info@chipsmall.com Web: www.chipsmall.com

Address: A1208, Overseas Decoration Building, #122 Zhenhua RD., Futian, Shenzhen, China

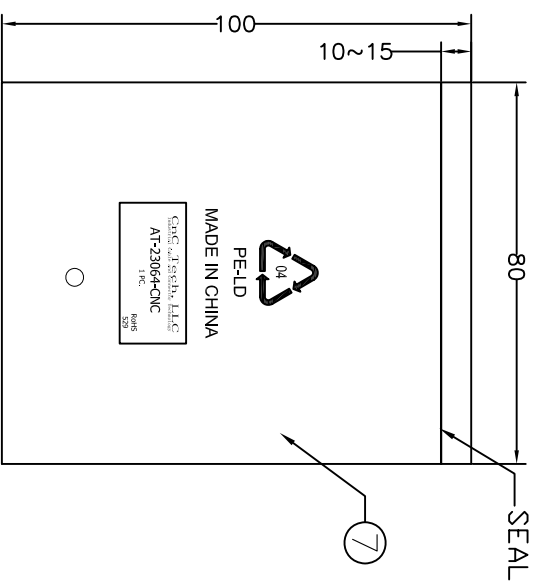


UNIT : MM



PIN ASSIGNMENT

P1	P2
WHITE	1
BLACK	2
RED	3
GREEN	4
YELLOW	5
BROWN	6



1PC/PE BAG

Cnc Tech, LLC
Industrial Cable and Connector Technology

⑩	PE BAG	1/10	CLEAR SIZE: 170*250*0.05mm PRINT BLACK*MADE IN CHINA*+10PCS" 及印生产周期, 有透气孔.
⑨	PE BAG	1	CLEAR SIZE: 80*100*0.05mm PRINT BLACK*MADE IN CHINA" 及印生产周期, 有透气孔.
⑧	SCREW	2	THUMSCREW 4*37MM
⑦	TER	6	DB 9P MALE TER G/F
⑥	ADAPTER	1	组裝壳 DB9P/M/RJ12 BEIGE
⑤	CONN	1	RJ12 6P8C JACK PIN 3U"
④	CONN	1	DB 9P MALE BLACK INSULATION 不插PIN
		1	UL 26AWG YELLOW L=60mm
		1	UL 26AWG GREEN L=60mm
		1	UL 26AWG RED L=60mm
		1	UL 26AWG BLACK L=60mm
		1	UL 26AWG WHITE L=60mm
		1	UL 26AWG BROWN L=60mm
①	CABLE		
		1	UL 26AWG BLACK L=60mm
		1	UL 26AWG WHITE L=60mm
		1	UL 26AWG BROWN L=60mm

VERSIONS/EDIT/TECH	A/0	PROJECT	
DRAWN BY	ZHONGHS	DRAWING NO.	
CHECKED BY		CUSTOMER	
APPROVAL BY		ITEM NO.	410-BE-9M-RJ12
DECIDE BY		DATE	2012-02-27

4

3

2

1

A

B

C

D

A

B

C

D