



Chipsmall Limited consists of a professional team with an average of over 10 year of expertise in the distribution of electronic components. Based in Hongkong, we have already established firm and mutual-benefit business relationships with customers from,Europe,America and south Asia,supplying obsolete and hard-to-find components to meet their specific needs.

With the principle of "Quality Parts,Customers Priority,Honest Operation,and Considerate Service",our business mainly focus on the distribution of electronic components. Line cards we deal with include Microchip,ALPS,ROHM,Xilinx,Pulse,ON,Everlight and Freescale. Main products comprise IC,Modules,Potentiometer,IC Socket,Relay,Connector.Our parts cover such applications as commercial,industrial, and automotives areas.

We are looking forward to setting up business relationship with you and hope to provide you with the best service and solution. Let us make a better world for our industry!



Contact us

Tel: +86-755-8981 8866 Fax: +86-755-8427 6832

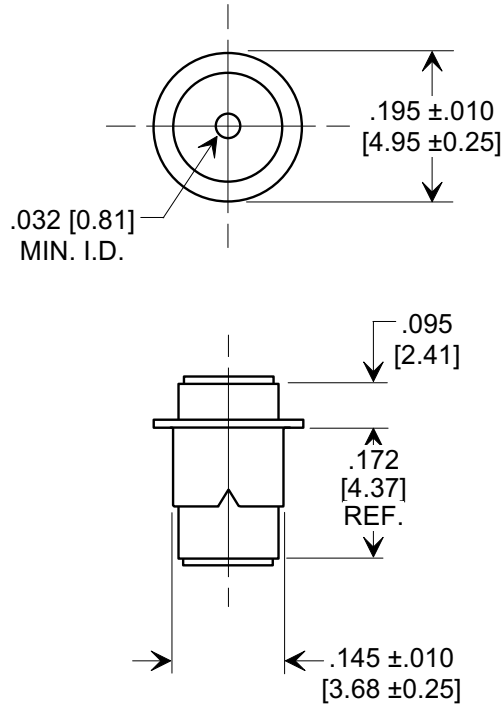
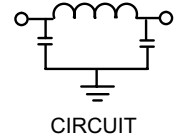
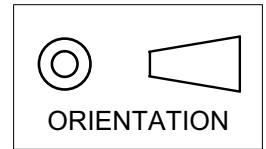
Email & Skype: info@chipsmall.com Web: www.chipsmall.com

Address: A1208, Overseas Decoration Building, #122 Zhenhua RD., Futian, Shenzhen, China



Electrical Testing
per Tusonix standard
test plans and Mil-Std-202
Test Methods.

MARKETING SALES DRAWING
DIMENSIONS IN INCHES - DO NOT SCALE THIS DRAWING
DIMENSIONS IN METRIC - []



NOTES:

- TUSONIX STANDARD PART NUMBER: 4101-000.
TUSONIX RoHS COMPLIANT PART NUMBER: 4101-000 LF.
CUSTOMER MUST SPECIFY STANDARD OR RoHS PART NUMBER WHEN ORDERING.
- RoHS COMPLIANT PART MARKED WITH GREEN DOT FOR IDENTIFICATION.

MIN. CAP. (pF)	WORKING VOLTAGE (WVdc)		CURRENT Idc.	I.R. MIN. @ 100 (VDC.)	DWV (VDC)	MINIMUM NO LOAD INSERTION LOSS (dB) AT 25°C PER MIL-STD-220			
	85°C	125°C				10 MHz	100 MHz	1 GHz	10 GHz
1750	250	125	10 A	10 G	500	5	35	50	50

REVISION RECORD	0	Original Release C.O.
	1	WAS SK 6644-080-S. LE 1-13-84
	2	DIM'S & TOL'S REV'D. RELEASED. L.E. 1-8-85
	C.O.1653	CURRENT UNIT "A" ADDED L.E. 8-20-85
	2595	RDN. TO COMP. FMT. S.M. 07-19-00
	20000914-3-03	DIM. .145 TOL WAS ±.018. ADDED I.R. DWV & CIRCUIT. S.M.11-05-04
20041105-1-01	ADDED NOTES. S.M. 03-14-05	
20050314-3-01		
--TOLERANCES-- Unless Otherwise Specified		Title EYELET STYLE EMI FILTER
DECIMAL ± .015 [0.38]		
ANGLES ±		Drawn S.M. 07-19-00 Scale 4 X
TUSONIX TUCSON, ARIZONA		Approved T.C. 07-19-00
		A 4101-000