



Chipsmall Limited consists of a professional team with an average of over 10 year of expertise in the distribution of electronic components. Based in Hongkong, we have already established firm and mutual-benefit business relationships with customers from,Europe,America and south Asia,supplying obsolete and hard-to-find components to meet their specific needs.

With the principle of “Quality Parts,Customers Priority,Honest Operation,and Considerate Service”,our business mainly focus on the distribution of electronic components. Line cards we deal with include Microchip,ALPS,ROHM,Xilinx,Pulse,ON,Everlight and Freescale. Main products comprise IC,Modules,Potentiometer,IC Socket,Relay,Connector.Our parts cover such applications as commercial,industrial, and automotives areas.

We are looking forward to setting up business relationship with you and hope to provide you with the best service and solution. Let us make a better world for our industry!



## Contact us

Tel: +86-755-8981 8866 Fax: +86-755-8427 6832

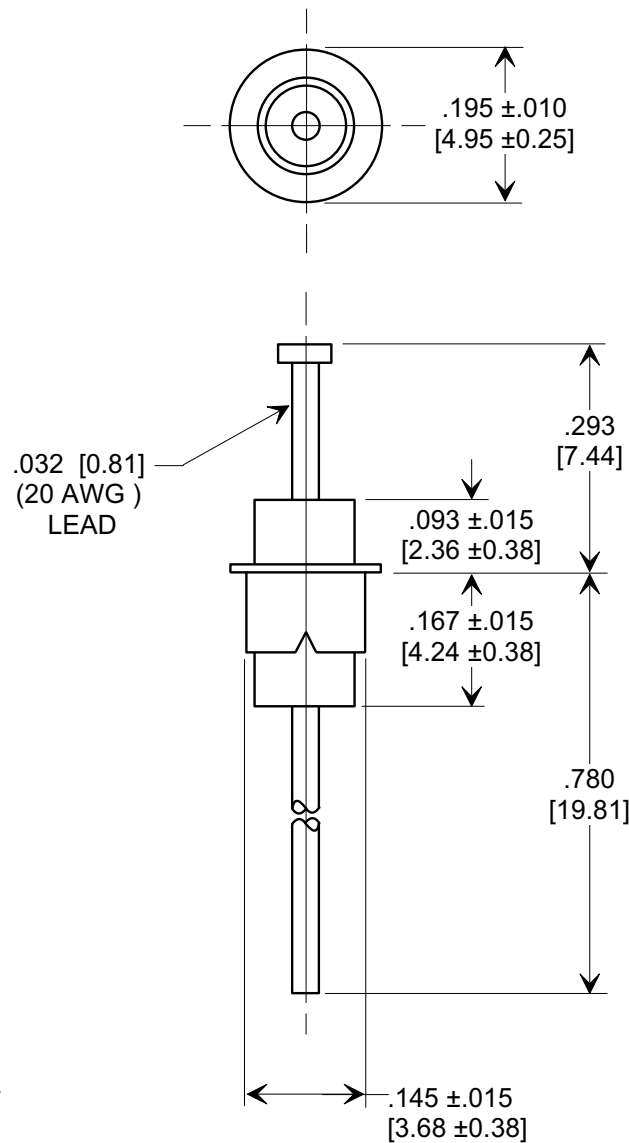
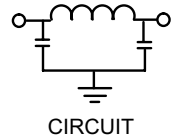
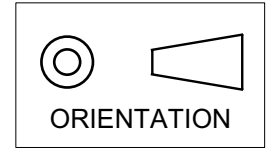
Email & Skype: info@chipsmall.com Web: www.chipsmall.com

Address: A1208, Overseas Decoration Building, #122 Zhenhua RD., Futian, Shenzhen, China



**MARKETING SALES DRAWING**  
**DIMENSIONS IN INCHES - DO NOT SCALE THIS DRAWING**  
**DIMENSIONS IN METRIC - [ ]**

Electrical Testing  
per Tusonix standard  
test plans and Mil-Std-202  
Test Methods.



- NOTES:  
1. TUSONIX STANDARD PART NUMBER: 4101-002.  
TUSONIX RoHS COMPLIANT PART NUMBER: 4101-002 LF.  
CUSTOMER MUST SPECIFY STANDARD OR RoHS PART NUMBER WHEN ORDERING.  
2. RoHS COMPLIANT PART MARKED WITH GREEN DOT FOR IDENTIFICATION.

MIN. CAP. (pF)	WORKING VOLTAGE (WVdc)		CURRENT Idc.	I.R. MIN. @ 100 (VDC.)	DWV (VDC)	MINIMUM NO LOAD INSERTION LOSS (dB) AT 25°C PER MIL-STD-220			
	85°C	125°C				10MHz	100MHz	1GHz	10GHz
1750	250	125	10A	10 G Ω	500	5	50	60	60

<b>X-2015 Rev-0</b>	<b>REVISION RECORD</b>								<b>--TOLERANCES--</b> Unless Otherwise Specified		Title <b>EYELET STYLE EMI FILTER</b>	
	0	Original Release C.O.	1	DRAWING REVISED	2	LE 12-9-83	3	LE 1-13-84				
	4	WAS SK6644-070-S LE 1-13-84	5	DIMS. AND TOL. REVSD., DWG. RELEASED LE 1-8-85	6	C.O. 1653	7	CURRENT UNIT "A" ADDED L.E. 8-20-85	ANGLES ±		Drawn E.C. 02-26-97	Scale 4 X
	8	C.O. 2595	9	RDRWN TO COMP. FRMT., RMVD WSHRS, CHGD DIMS. .093 WS .113, .167 WS .177 EC 2-26-97	10	970224-6	11	ADDED RED EPOXY COATING. S.M. 07-15-98	<b>TUSONIX</b> TUCSON, ARIZONA		Approved T.C. 2-26-97	<b>A</b>