



Chipsmall Limited consists of a professional team with an average of over 10 year of expertise in the distribution of electronic components. Based in Hongkong, we have already established firm and mutual-benefit business relationships with customers from,Europe,America and south Asia,supplying obsolete and hard-to-find components to meet their specific needs.

With the principle of “Quality Parts,Customers Priority,Honest Operation,and Considerate Service”,our business mainly focus on the distribution of electronic components. Line cards we deal with include Microchip,ALPS,ROHM,Xilinx,Pulse,ON,Everlight and Freescale. Main products comprise IC,Modules,Potentiometer,IC Socket,Relay,Connector.Our parts cover such applications as commercial,industrial, and automotives areas.

We are looking forward to setting up business relationship with you and hope to provide you with the best service and solution. Let us make a better world for our industry!



## Contact us

Tel: +86-755-8981 8866 Fax: +86-755-8427 6832

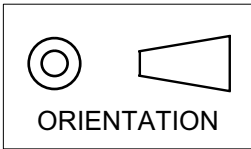
Email & Skype: info@chipsmall.com Web: www.chipsmall.com

Address: A1208, Overseas Decoration Building, #122 Zhenhua RD., Futian, Shenzhen, China

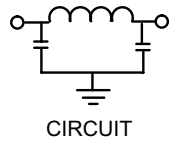
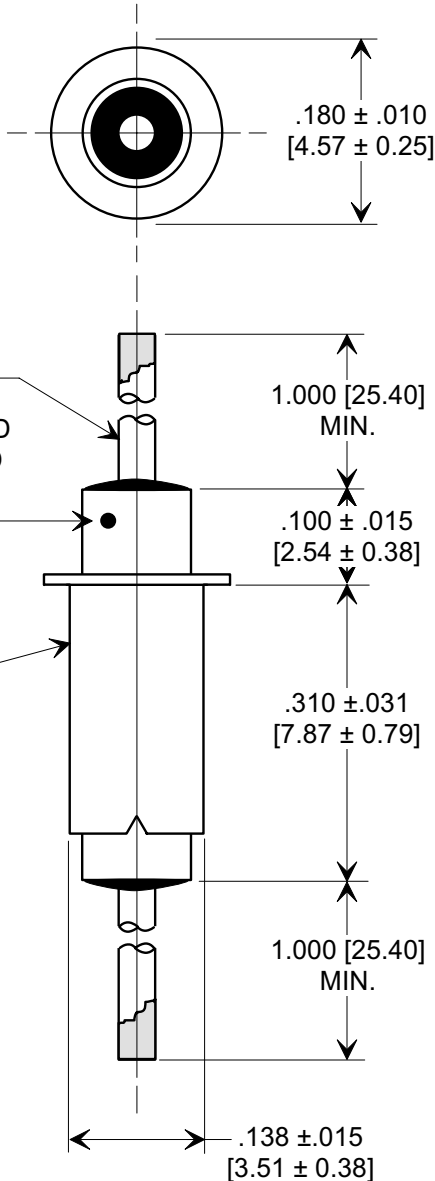


**MARKETING SALES DRAWING**  
**DIMENSIONS IN INCHES - DO NOT SCALE THIS DRAWING**  
**DIMENSIONS IN METRIC - [ ]**

This drawing is the property of Tusonix, Inc., and may not be used, reproduced, published or disclosed to others without expressed authorization by Tusonix Inc.



**Electrical Testing**  
per Tusonix standard  
test plans and Mil-Std-202  
Test Methods.



**NOTES:**

1. TUSONIX STANDARD PART NUMBER: 4102-000. TUSONIX RoHS COMPLIANT PART NUMBER: 4102-000 LF. CUSTOMER MUST SPECIFY STANDARD OR RoHS PART NUMBER WHEN ORDERING.
2. EYELET FINISH: STANDARD PART #: 60/40 SOLDER PLATED. RoHS PART #: SILVER PLATED.
3. PART MARKING: STANDARD PART: NO MARKING. RoHS PART: GREEN DOT.

MIN. CAP. (pF)	WORKING VOLTAGE (WVdc)		CURRENT Idc. (A)	DWV	I.R. MIN. @ 100 (VDC.)	MINIMUM NO LOAD INSERTION LOSS (dB) AT 25°C PER MIL-STD-220			
	85°C	125°C				10 MHz	100 MHz	1 GHz	10 GHz
3000	350	200	10	700 VDC	10 G Ω	8	55	65	65

X-2015 Rev-0	<b>REVISION RECORD</b>	
	Original Release	<b>0</b>
	C.O. 20050614-4-01	
	ADDED NOTES & RoHS DOT. S.M. 09-28-06	
		<b>1</b>
		<b>20060927-2-03</b>

--TOLERANCES-- Unless Otherwise Specified	
DECIMAL ± // // //	
ANGLES ± // // //	
<b>TUSONIX</b> TUCSON, ARIZONA	

Title <b>EYELET STYLE EMI FILTER</b>	
Drawn S.M. 06-14-05	Scale 5 X
Approved T.C. 06-14-05	
<b>A</b>	<b>4102-000</b>