



Chipsmall Limited consists of a professional team with an average of over 10 year of expertise in the distribution of electronic components. Based in Hongkong, we have already established firm and mutual-benefit business relationships with customers from,Europe,America and south Asia,supplying obsolete and hard-to-find components to meet their specific needs.

With the principle of "Quality Parts,Customers Priority,Honest Operation,and Considerate Service",our business mainly focus on the distribution of electronic components. Line cards we deal with include Microchip,ALPS,ROHM,Xilinx,Pulse,ON,Everlight and Freescale. Main products comprise IC,Modules,Potentiometer,IC Socket,Relay,Connector.Our parts cover such applications as commercial,industrial, and automotives areas.

We are looking forward to setting up business relationship with you and hope to provide you with the best service and solution. Let us make a better world for our industry!



Contact us

Tel: +86-755-8981 8866 Fax: +86-755-8427 6832

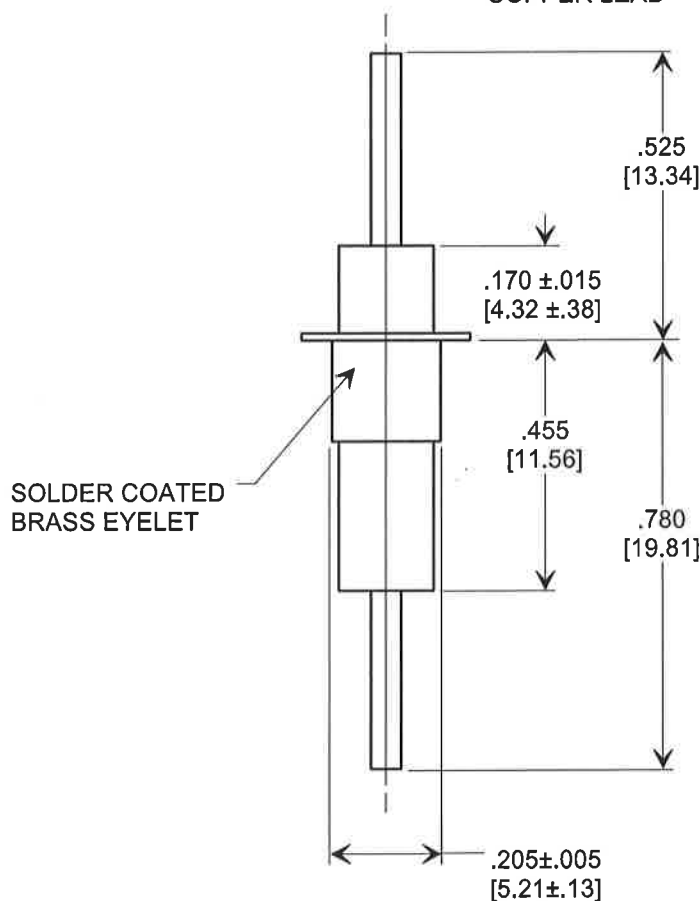
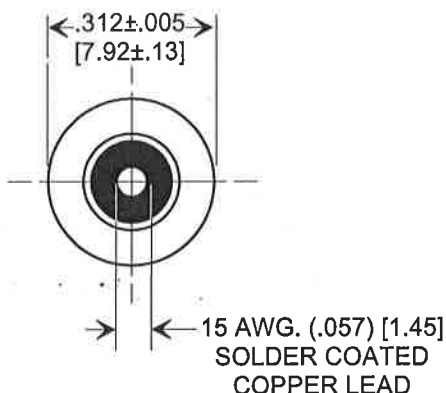
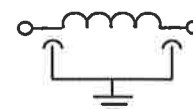
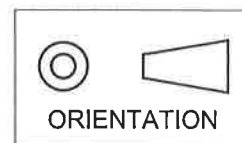
Email & Skype: info@chipsmall.com Web: www.chipsmall.com

Address: A1208, Overseas Decoration Building, #122 Zhenhua RD., Futian, Shenzhen, China



MARKETING SALES DRAWING
DIMENSIONS IN INCHES - DO NOT SCALE THIS DRAWING
DIMENSIONS IN METRIC - []

Electrical Testing
 per Tusonix standard
 test plans and Mil-Std-202
 Test Methods.



MIN. CAP (pF)	WORKING VOLTAGE (WVDC)		CURRENT Idc	MINIMUM NO-LOAD INSERTION LOSS			
	85°C	125°C		10 MHz	100 MHz	1 GHz	10 GHz
1500	1000	700	25A	5	35	65	65

REVISION RECORD
 Original Release
 C.O. 970306-4
 0

-TOLERANCES-- Unless Otherwise Specified DECIMAL ± .031 [.79] ANGLES ±	Title EYELET STYLE EMI FILTER	
	Drawn S.M. 03-11-97	Scale 3 X
Approved T.C. 03-11-97		A
TUSONIX TUCSON, ARIZONA		4106-003

X-2015 Rev-0