



Chipsmall Limited consists of a professional team with an average of over 10 year of expertise in the distribution of electronic components. Based in Hongkong, we have already established firm and mutual-benefit business relationships with customers from,Europe,America and south Asia,supplying obsolete and hard-to-find components to meet their specific needs.

With the principle of “Quality Parts,Customers Priority,Honest Operation,and Considerate Service”,our business mainly focus on the distribution of electronic components. Line cards we deal with include Microchip,ALPS,ROHM,Xilinx,Pulse,ON,Everlight and Freescale. Main products comprise IC,Modules,Potentiometer,IC Socket,Relay,Connector.Our parts cover such applications as commercial,industrial, and automotives areas.

We are looking forward to setting up business relationship with you and hope to provide you with the best service and solution. Let us make a better world for our industry!



Contact us

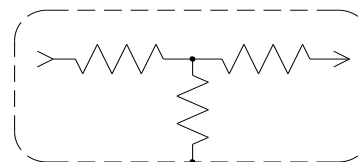
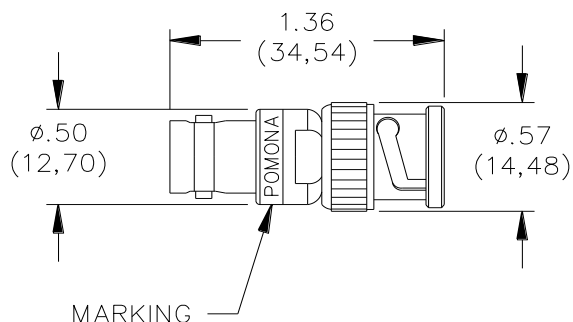
Tel: +86-755-8981 8866 Fax: +86-755-8427 6832

Email & Skype: info@chipsmall.com Web: www.chipsmall.com

Address: A1208, Overseas Decoration Building, #122 Zhenhua RD., Futian, Shenzhen, China



**Model 4108 & 5513
BNC 50 Ohm Attenuator & Kit**



SCHEMATIC

ATTENUATION & VSWR TOLERANCES ALL MODELS	
VSWR	ATTENUATION TOLERANCES
1.1 to 1GHz	±0.4dB to 1GHz
1.2 to 2GHz	±0.45dB to 2GHz
1.35 to 4GHz	±0.65dB to 4GHz

MODEL NUMBER	*ATTENUATION
4108-3dB	3dB
4108-6dB	6dB
4108-10dB	10dB
4108-14dB	14dB
4108-20dB	20dB

Features

- Used to attenuate signals in coaxial lines

Materials

Body and Fittings: Brass per QQ-B-626, Alloy 360, ½ Hard

Center Contact:

Male – Brass per QQ-B-626, Alloy 360, ½ Hard

Female – Beryllium Copper per QQ-C-530, Cond. HT

Outer Contact: Beryllium Copper per QQ-C-530, Cond. HT

Dielectric: PTFE per ASTM D1457

Gaskets: Silicone rubber per ZZ-R-765, Class 11, Grade 50

Resistor: 2W, Metal film attenuator

Finish:

Body and Fittings – Tarnish Resistant

Center Contact – Gold plated per MIL-C-39012

Outer Contact – Tarnish Resistant

Marking: *Body* – “POMONA 4108-*”



Ratings

- Nominal Impedance: 50 Ohm
- Power: 2 Watt @ 70°C; derated linearly to .6 watts @ 150°C
- Resistor Tolerance: ± 2.5% @ 25°C
- Operating Temperature: -55°C to +102°C

Ordering Information

Model: **4108-XXdB** (XX – see table for available attenuations)

Model: **5513** Kit contains 1 of each model

USA: Sales: 800-490-2361
Technical Support: technicalsupport@pomonatest.com
Fax: 425-446-5844

Europe: 31-(0) 40 2675 150 **International:** 425-446-5500

Where to Buy: www.pomonaelectronics.com

All dimensions are in inches. Tolerances (except noted): .xx = ±.02” (.51 mm), .xxx = ± .005” (.127 mm). All specifications are to the latest revisions. Specifications are subject to change without notice. Registered trademarks are the property of their respective companies.