



Chipsmall Limited consists of a professional team with an average of over 10 year of expertise in the distribution of electronic components. Based in Hongkong, we have already established firm and mutual-benefit business relationships with customers from,Europe,America and south Asia,supplying obsolete and hard-to-find components to meet their specific needs.

With the principle of “Quality Parts,Customers Priority,Honest Operation,and Considerate Service”,our business mainly focus on the distribution of electronic components. Line cards we deal with include Microchip,ALPS,ROHM,Xilinx,Pulse,ON,Everlight and Freescale. Main products comprise IC,Modules,Potentiometer,IC Socket,Relay,Connector.Our parts cover such applications as commercial,industrial, and automotives areas.

We are looking forward to setting up business relationship with you and hope to provide you with the best service and solution. Let us make a better world for our industry!



Contact us

Tel: +86-755-8981 8866 Fax: +86-755-8427 6832

Email & Skype: info@chipsmall.com Web: www.chipsmall.com

Address: A1208, Overseas Decoration Building, #122 Zhenhua RD., Futian, Shenzhen, China



REV.	DESCRIPTION	DATE
A	RELEASE	2016.06.08

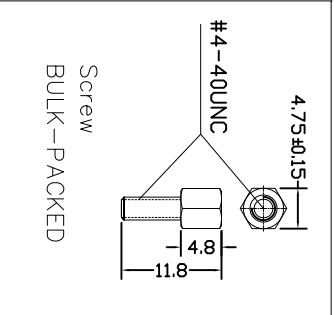
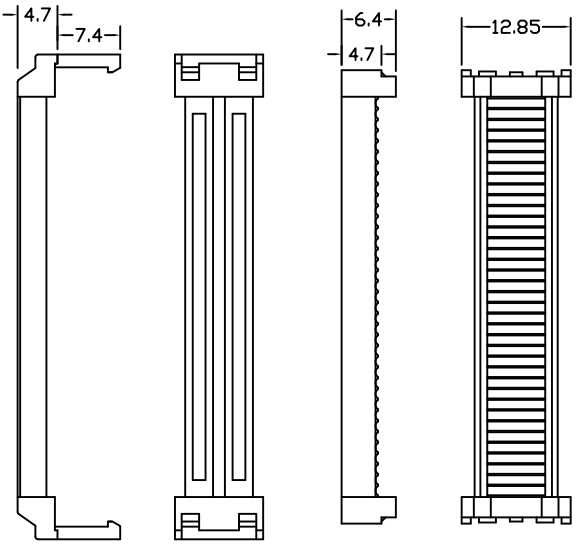
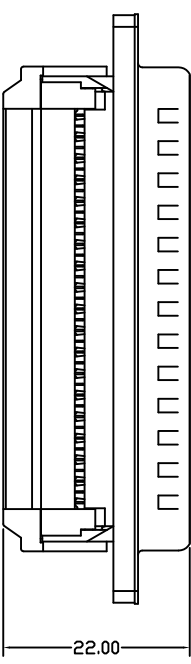
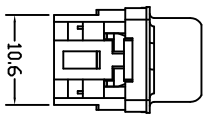
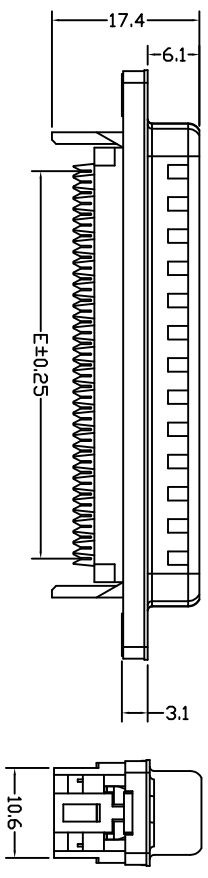
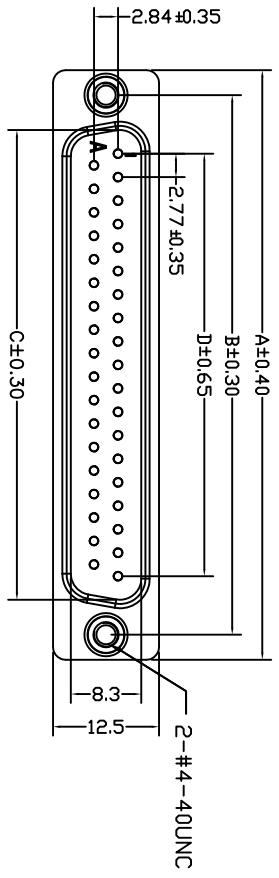
RoHS

MATERIAL&FINISH

Insulator: PBT Glass Fiber (UL94V-0)
 Contact Material: Terminal Brass.
 Contact Plating : Terminal Gold-Plated Over Nickel.
 Shell Nickel.

SPECIFICATIONS

Current Rating :1A AC, DC
 Voltage Rating : 250V AC, DC
 Temperature Range:-40° C To+105° C
 Contact Resistance:20MΩ Max
 Insulation Resistance:1000MΩ Min
 Withstanding Voltage:500V AC/Min



NUMBER OF POSITIONS	DIMENSION				
	A	B	C	D	E
09	30.80	25.00	16.95	11.08	10.16
15	39.14	33.30	25.3	19.39	17.78
25	53.05	47.04	38.96	33.24	30.48
37	69.32	63.50	55.42	49.86	45.72

UNLESS TOLERANCE		DRAW BY	Cnc Tech,LLC		
GENERAL	ANGLE	DESIGN BY	Part NO. 410MD-XX-1-004S DRAW NO:		
X. ± 0.30	X' ± 3.0°	CHECK BY			
.X ± 0.20	.X' ± 2.0°	APPROVE BY			
.XX ± 0.15	.XX' ± 1.0°	SCALE			
.XXX ± 0.08	.XXX ± 0.5°	SHEET	UNIT	MM	REV: A
		SCALE	1:1	SHEET	1/1

