



Chipsmall Limited consists of a professional team with an average of over 10 year of expertise in the distribution of electronic components. Based in Hongkong, we have already established firm and mutual-benefit business relationships with customers from,Europe,America and south Asia,supplying obsolete and hard-to-find components to meet their specific needs.

With the principle of "Quality Parts,Customers Priority,Honest Operation,and Considerate Service",our business mainly focus on the distribution of electronic components. Line cards we deal with include Microchip,ALPS,ROHM,Xilinx,Pulse,ON,Everlight and Freescale. Main products comprise IC,Modules,Potentiometer,IC Socket,Relay,Connector.Our parts cover such applications as commercial,industrial, and automotives areas.

We are looking forward to setting up business relationship with you and hope to provide you with the best service and solution. Let us make a better world for our industry!



Contact us

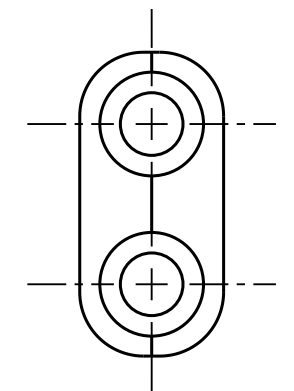
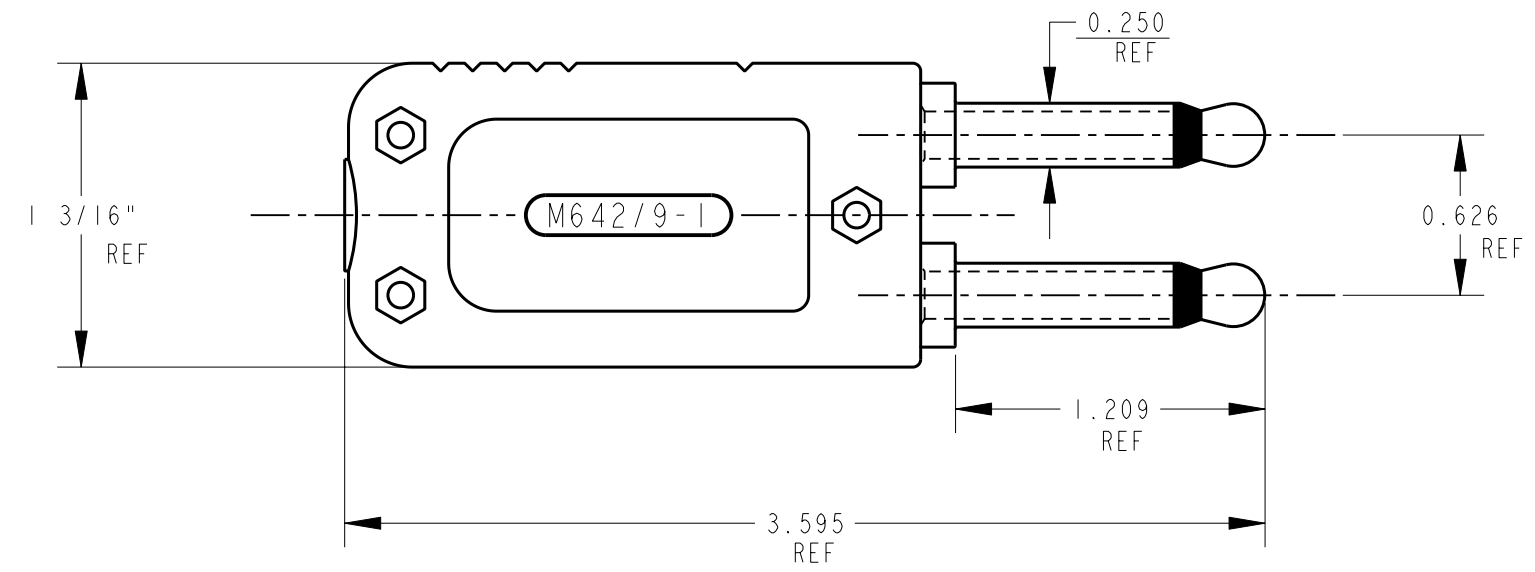
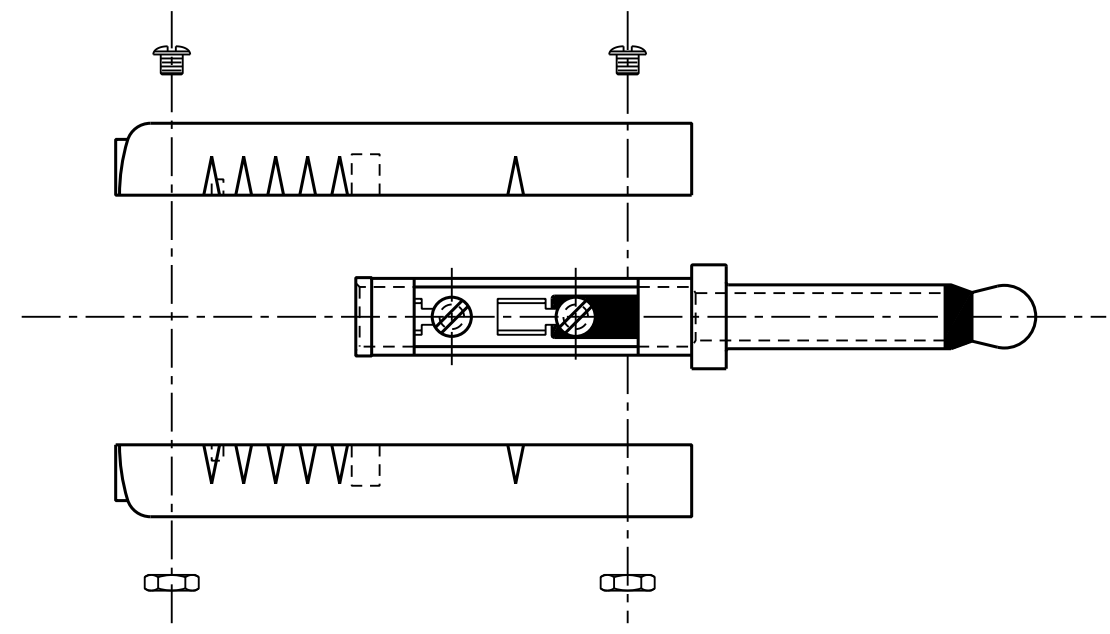
Tel: +86-755-8981 8866 Fax: +86-755-8427 6832

Email & Skype: info@chipsmall.com Web: www.chipsmall.com

Address: A1208, Overseas Decoration Building, #122 Zhenhua RD., Futian, Shenzhen, China



NOTES:
I. ALL PARTS SHIPPED UNASSEMBLED.



CUSTOMER DRAWING
CAD/CAM DWG. NO.
411_CD
SHEET 1 OF 1

MATERIAL SPECIFICATIONS:

TIP, ROD, RING SLEEVE: BRASS NATURAL FINISH.
 BODY SCREWS: BRASS NATURAL FINISH.
 TERMINALS: BRASS, ELECTRO TINNED.
 INSULATION: ETHYL CELLULOSE; PER MIL-P-22985.
 HANDLE: ETHYL CELLULOSE; PER MIL-P-22985.

ISSUE	CHANGE NO.	DATE	BY	APP'D
B	ECO #20627	1-23-96	DEA	TAO
A	RELEASE TO PROD.	7-18-92	LR	GHJ

★ STAR SYMBOL DENOTES CRITICAL DIMENSION, SEE S/C ENGINEERING STANDARD ES-0001

THIS DRAWING DESCRIBES A DESIGN CONSIDERED PROPRIETARY IN NATURE, DEVELOPED AND MANUFACTURED BY SWITCHCRAFT INC. AND IS RELEASED ON A CONFIDENTIAL BASIS FOR IDENTIFICATION PURPOSE ONLY.

UNLESS OTHERWISE SPECIFIED

1. ALL DIMENSIONS IN INCHES
 TWO PLACE DECIMAL ±.01
 THREE PLACE DECIMAL ±.005
 FRACTIONAL DIMENSIONS ±1/64
 ANGLES ±1/2°
 ALL DIA'S CONCENTRIC WITHIN .005 T.I.R.

2. REMOVE ALL BURRS

3. MAKE NO DIMENSIONAL ALLOWANCES FOR APPLIED FINISHES, I.E., PLATING, PAINTING, ETC.

4. HOLES ON THE SAME CENTERLINE MUST BE ALIGNED WITHIN ±.002

DO NOT SCALE DRAWING

FINISH	SIZE	WIDTH	MULT	LBS./M	TEMPER
SPEC. NO.	DATE DRAWN	BY	CHK'D	APP'D	MATERIAL
FIRST USED ON	8-7-68	MB	CJW	GHJ	SPEC. NO.
M642/9-1	SCALE	1 = 0.750		Switchcraft®	
NAME				PART NO.	
TWIN PLUG				411	
				ISSUE	
				B	