



Chipsmall Limited consists of a professional team with an average of over 10 year of expertise in the distribution of electronic components. Based in Hongkong, we have already established firm and mutual-benefit business relationships with customers from,Europe,America and south Asia,supplying obsolete and hard-to-find components to meet their specific needs.

With the principle of "Quality Parts,Customers Priority,Honest Operation,and Considerate Service",our business mainly focus on the distribution of electronic components. Line cards we deal with include Microchip,ALPS,ROHM,Xilinx,Pulse,ON,Everlight and Freescale. Main products comprise IC,Modules,Potentiometer,IC Socket,Relay,Connector.Our parts cover such applications as commercial,industrial, and automotives areas.

We are looking forward to setting up business relationship with you and hope to provide you with the best service and solution. Let us make a better world for our industry!



Contact us

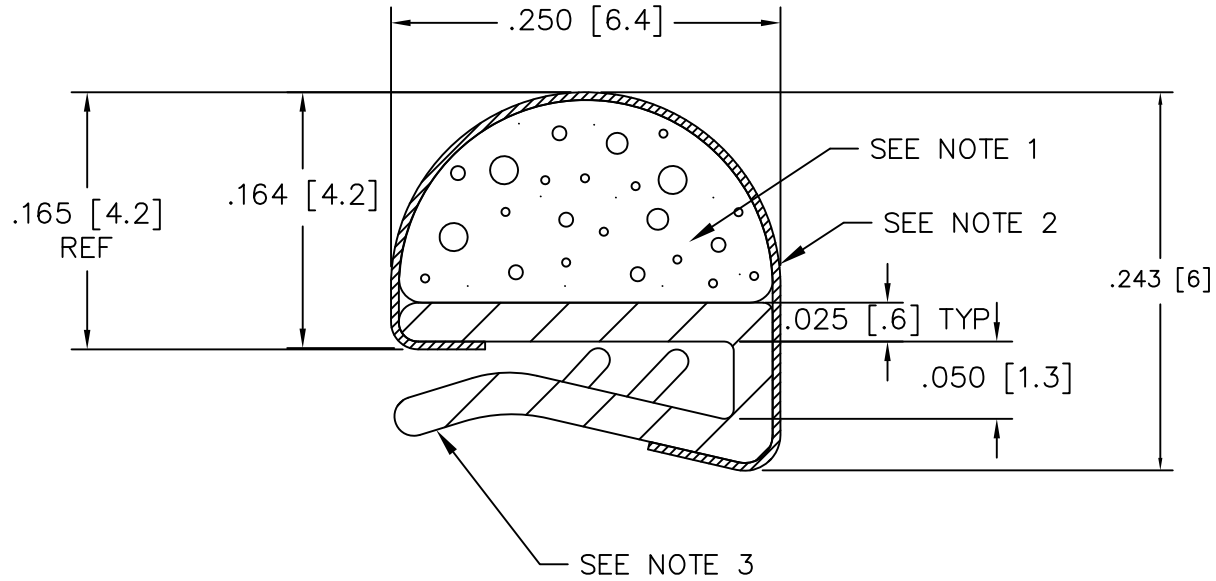
Tel: +86-755-8981 8866 Fax: +86-755-8427 6832

Email & Skype: info@chipsmall.com Web: www.chipsmall.com

Address: A1208, Overseas Decoration Building, #122 Zhenhua RD., Futian, Shenzhen, China



THIS INFORMATION IS CONFIDENTIAL AND PROPRIETARY TO LAIRD TECHNOLOGIES. IT MAY NOT BE DISCLOSED TO ANYONE, OTHER THAN LAIRD TECHNOLOGIES PERSONNEL, WITHOUT WRITTEN AUTHORIZATION FROM LAIRD TECHNOLOGIES.



PROFILE DETAIL

NOTES:

1. FOAM: HF-1
2. FABRIC: NICKEL NRS FR
3. TAPE: NO TAPE
4. LINER: NO EXTENDED RELEASE LINER
5. FABRIC SEAM LOCATION MAY VARY.
6. CARRIER: PVC CLIP
7. A .020" FEELER GAGE SHOULD SLIDE FREELY INTO THE CLIP OPENING, A .031" FEELER GAGE SHOULD FIT TIGHTLY WHEN FULLY INSERTED INTO THE CLIP.

REVISIONS: 1. REVISED FABRIC FROM "506" 2/5/01 D.D.G. _____ _____ _____ _____	TITLE:		DRAWN	DATE	SCALE:	DIMENSIONS ARE IN INCHES. UNLESS OTHERWISE SPECIFIED, TOLERANCES ARE AS FOLLOWS: DECIMALS LENGTH .XX ± .03 0" - 6" ± .030" .XXX ± .020 6" - 11" ± .050" _____ 11" - 48" ± .100" ANGLES 48" - 70" ± .187" ± 1/2° 70" - 144" ± .250"
	SHIELDING GASKET		G.B.	D.D.G.	1/1	
	Dwg. or Part No.	REV.	CHECKED BY:	DATE		
	4111-HA-51K	1	D.D.G.	6/28/01		
		RELEASED BY:	DATE			
		SMH	6/28/01			

