



Chipsmall Limited consists of a professional team with an average of over 10 year of expertise in the distribution of electronic components. Based in Hongkong, we have already established firm and mutual-benefit business relationships with customers from,Europe,America and south Asia,supplying obsolete and hard-to-find components to meet their specific needs.

With the principle of “Quality Parts,Customers Priority,Honest Operation,and Considerate Service”,our business mainly focus on the distribution of electronic components. Line cards we deal with include Microchip,ALPS,ROHM,Xilinx,Pulse,ON,Everlight and Freescale. Main products comprise IC,Modules,Potentiometer,IC Socket,Relay,Connector.Our parts cover such applications as commercial,industrial, and automotives areas.

We are looking forward to setting up business relationship with you and hope to provide you with the best service and solution. Let us make a better world for our industry!



## Contact us

Tel: +86-755-8981 8866 Fax: +86-755-8427 6832

Email & Skype: info@chipsmall.com Web: www.chipsmall.com

Address: A1208, Overseas Decoration Building, #122 Zhenhua RD., Futian, Shenzhen, China





# DC axial fans

Series 4100 NU 119 x 119 x 38 mm



**Highlights:**

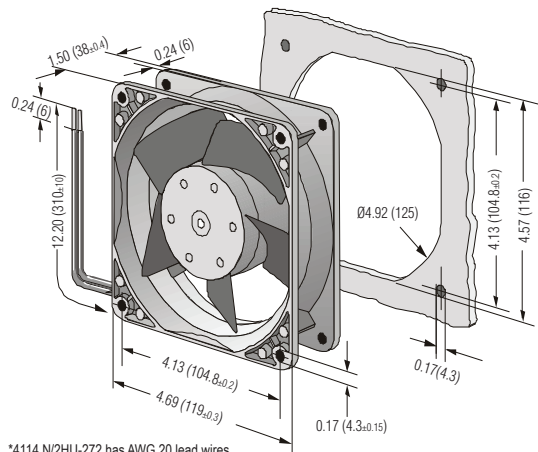
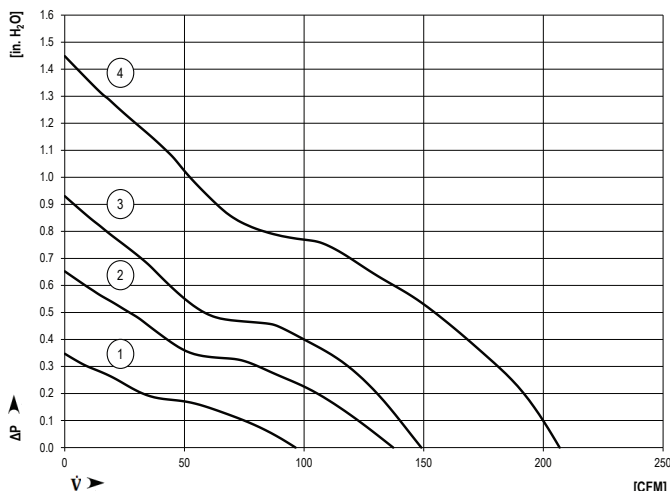
- Motor protection against reverse polarity and locking.
- Air intake over struts
- Connection via 310 mm strands AWG 22, TR 64, bared and tin-plated
- Ingress protection rating of IP68

**Material:** Housing: Die-cast aluminum  
Impeller: Fiberglass-reinforced PA composite

**Direction of rotation:** Clockwise, seen on rotor

Nominal Data	Air flow	Nominal voltage	Voltage range	Sound pressure level	Sound power level	Ball bearings	Power input	Speed	Temperature range	Mass	Ingress Protection Rating	UL Approval	Curves
Type	CFM	VDC	VDC	dB(A)	Bel(A)		Watts	RPM	°C	g			
4114 NU	106.0	24	12...29	48.5	5.7	Yes	5.6	3200	-20...75	400	IP68	Yes	1
4114 NHU-295	140.0	24	16...30	57.0	6.5	Yes	11.0	4400	-20...55	400	IP68	Yes	2
4114 N/2HU-272*	140.0	24	12...25	57.0	6.5	Yes	11.0	4400	-20...55	400	IP68	Yes	2
4118 NHU-294	140.0	48	36...56	56.0	6.0	Yes	11.0	4400	-20...55	400	IP68	Yes	2
4114 NXHHU	153.0	24	12...28	60.0	7.0	Yes	13.6	4900	-20...55	400	IP68	Yes	3
4118 N/2H4PU	206.0	48	36...60	67.0	7.0	Yes	34.0	6800	-20...65	400	IP68	Yes	4

**Curves**



\*4114 N/2HU-272 has AWG 20 lead wires