



Chipsmall Limited consists of a professional team with an average of over 10 year of expertise in the distribution of electronic components. Based in Hongkong, we have already established firm and mutual-benefit business relationships with customers from,Europe,America and south Asia,supplying obsolete and hard-to-find components to meet their specific needs.

With the principle of “Quality Parts,Customers Priority,Honest Operation,and Considerate Service”,our business mainly focus on the distribution of electronic components. Line cards we deal with include Microchip,ALPS,ROHM,Xilinx,Pulse,ON,Everlight and Freescale. Main products comprise IC,Modules,Potentiometer,IC Socket,Relay,Connector.Our parts cover such applications as commercial,industrial, and automotives areas.

We are looking forward to setting up business relationship with you and hope to provide you with the best service and solution. Let us make a better world for our industry!



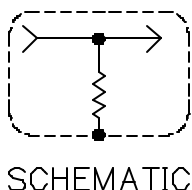
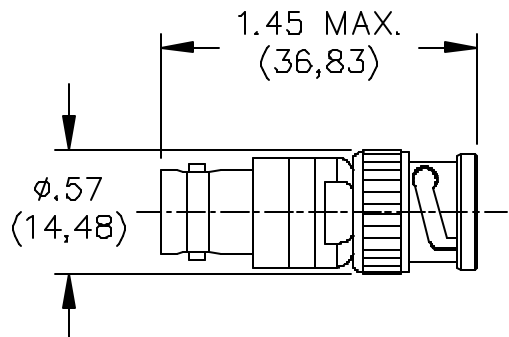
Contact us

Tel: +86-755-8981 8866 Fax: +86-755-8427 6832

Email & Skype: info@chipsmall.com Web: www.chipsmall.com

Address: A1208, Overseas Decoration Building, #122 Zhenhua RD., Futian, Shenzhen, China





MODEL NO.	* RESISTANCE VALUE Ω
4119-50	50
4119-75	75
4119-93	93
4119-600	600

MATERIALS:

Body and Fittings: Brass, Alloy 360, 1/2 Hard.

Center Contact: Male – Brass, Alloy 360, 1/2 Hard.

Female – Beryllium Copper per Cond. Ht.

Outer Contact: Beryllium Copper, Cond. Ht.

Dielectric: Teflon per L-P-403.

Gasket/Seals: Silicone rubber per zz-r-765, Class 11a, Grade 50.

Finish:

Body and Fittings: Tarnish Resistant.

Center Contact: Male – Gold plated.

Outer Contact: Tarnish Resistant.

Marking: "Pomona Elect. 4119-*" and resistance value marked on label.

Specifications: 2%, 2 Watt, Carbon-film resistor deposited over Ceramic Core.

VSWR: 1.1 Max. from D.C. to 250 MHz.

1.2 Max. from 250 MHz to 500 MHz.

RATINGS:

Operating Temperature: +102°C (+216°F) Max.

ORDERING INFORMATION: Model 4119-*

* = Resistance value (see table above)

All dimensions are in inches. Tolerances (except noted): .xx = ± 0.02 " (.51 mm), .xxx = ± 0.005 " (.127 mm).

All specifications are to the latest revisions. Specifications are subject to change without notice.

Registered trademarks are the property of their respective companies. Made in USA