



Chipsmall Limited consists of a professional team with an average of over 10 year of expertise in the distribution of electronic components. Based in Hongkong, we have already established firm and mutual-benefit business relationships with customers from,Europe,America and south Asia,supplying obsolete and hard-to-find components to meet their specific needs.

With the principle of “Quality Parts,Customers Priority,Honest Operation,and Considerate Service”,our business mainly focus on the distribution of electronic components. Line cards we deal with include Microchip,ALPS,ROHM,Xilinx,Pulse,ON,Everlight and Freescale. Main products comprise IC,Modules,Potentiometer,IC Socket,Relay,Connector.Our parts cover such applications as commercial,industrial, and automotives areas.

We are looking forward to setting up business relationship with you and hope to provide you with the best service and solution. Let us make a better world for our industry!



Contact us

Tel: +86-755-8981 8866 Fax: +86-755-8427 6832

Email & Skype: info@chipsmall.com Web: www.chipsmall.com

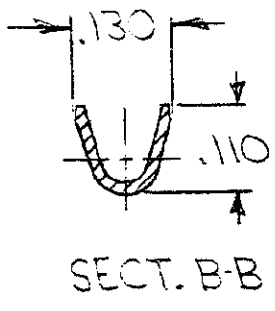
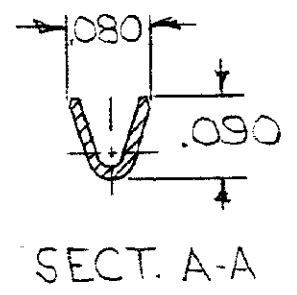
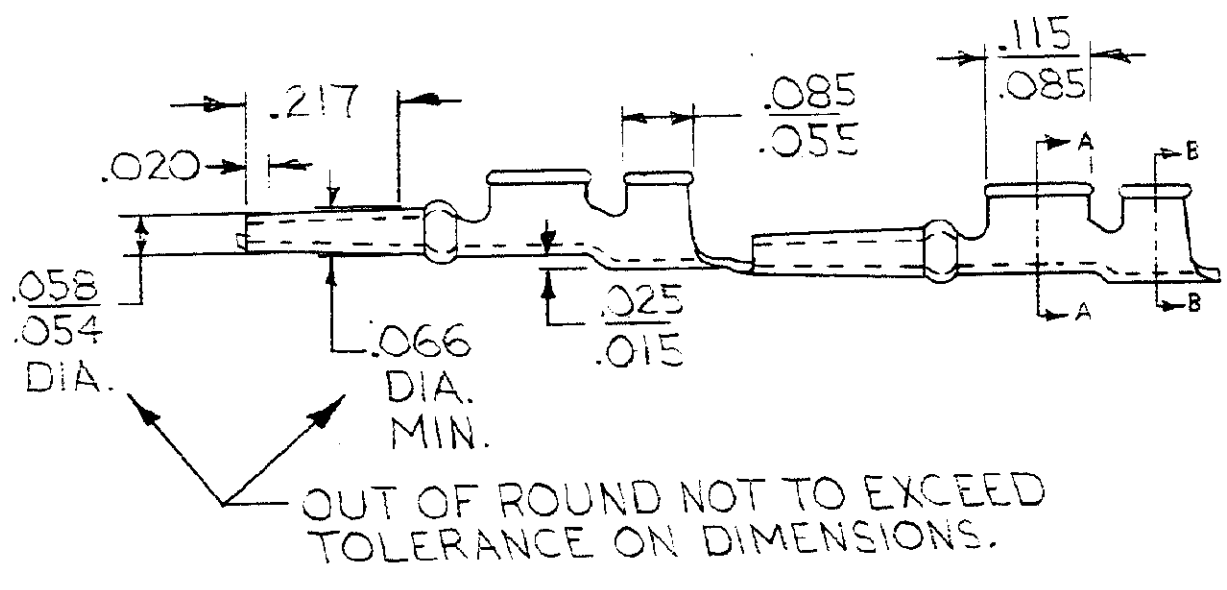
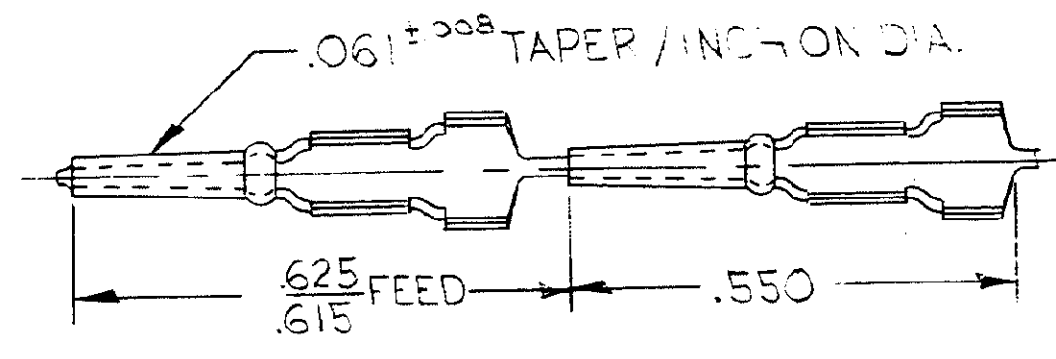
Address: A1208, Overseas Decoration Building, #122 Zhenhua RD., Futian, Shenzhen, China



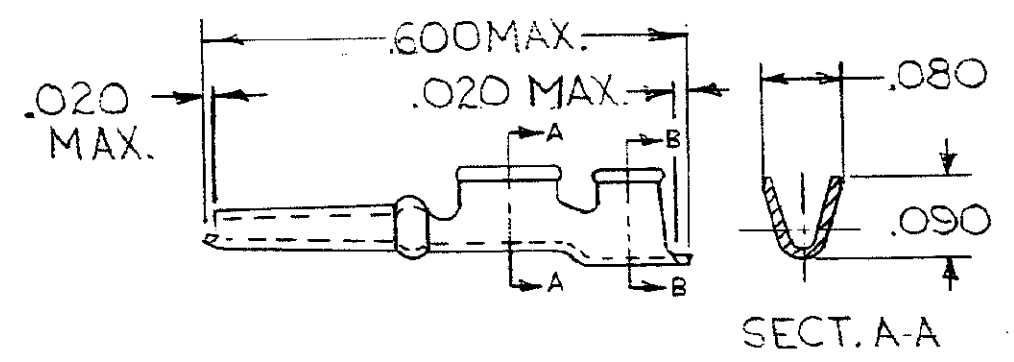
NUMBER 41647

© 1971 BY AMP INCORPORATED. ALL RIGHTS RESERVED. AMP PRODUCTS COVERED BY PATENTS AND/OR PATENTS PENDING. APPROVED PER GOVT CONTRACT NO.

REVISIONS				
SYM	ZONE	DESCRIPTION	DATE	APPROVAL
L		REVISED & REDRAWN	7-781	<i>[Signature]</i>
M		OBSOLETE 41833-1 & 41834	2102 DR	<i>[Signature]</i>
N		OBSOLETE 41937	2734	4-2-78
P		PRINTED NAME LOC WAS ABT	3347	10-73
R		REACTIVATED 41222	PCN 49	7-7-75
S		OBSOLETE 46033-1 & 42818-1	EA 1049	12-29-78
T		REVISED PLATING	EA 1515	7-31-80
U		BRIGHT TIN-LEAD WAS BRIGHT TIN	EA 1818	6-16-81
V		UPDATED NAME	EA 2071	3-82
W		REVISED GOLD PLATING	EA 2139	6-82

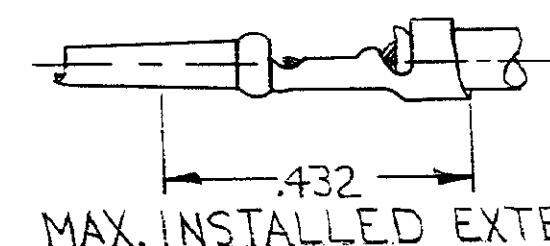
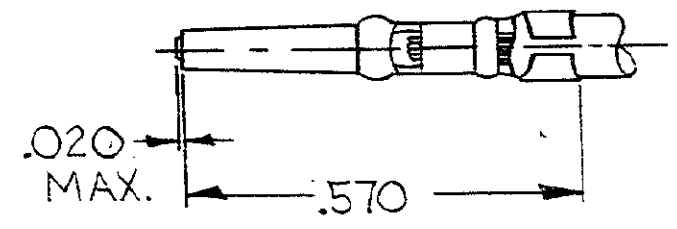


STRIP



LOOSE PIECE

STRIP NO.	LOOSE PIECE NO.	WIRE SIZE	INSUL. SIZE	FINISH	INSERT. TOOL	HAND TOOL	C. H.
41222	~	#24-#22	.065-.080	PLAIN	380306-3	47042	.042
66033-1	42818-1			.0002 GOLD OVER .00005 NICKEL			
41863	41939			.0001 GOLD OVER .0001 SILVER			
41649	41666			.00003 GOLD OVER .00005 NICKEL			
41648	41665			.0002 SILVER			
41647	41664	#24-#22	.065-.080	.0001 BRIGHT TIN-LEAD	380306-3	47042	.042



CRIMPED VERSION

AMP INFO LOC S 12 W	QTY RECD	NOMENCLATURE OR DESCRIPTION	PART OR IDENTIFYING NO
LIST OF MATERIALS OR PARTS LIST			
OTHERWISE SPECIFIED DIMENSIONS ARE IN INCHES TOLERANCES ON		SIGNATURE	DATE
FRACTIONS = H	DECIMALS = .010	DR. <i>M.A. Maltz</i>	8/12/83
ANGLES = H		CHK. <i>[Signature]</i>	11/15/83
MATERIAL	HEAT TREAT	DSGN ENGR. <i>[Signature]</i>	8/16/83
0160 COML BRASS	— H —	APPD. <i>[Signature]</i>	11/63
FINISH	OTHER APPD.	AMP INCORPORATED HARRISBURG, PENNSYLVANIA	
SEE TABLE		PIN, TAPER, INSULATION SUPPORT, "53" SERIES	
		CODE IDENT NO	SIZE NUMBER
		00779 C	41647