



Chipsmall Limited consists of a professional team with an average of over 10 year of expertise in the distribution of electronic components. Based in Hongkong, we have already established firm and mutual-benefit business relationships with customers from,Europe,America and south Asia,supplying obsolete and hard-to-find components to meet their specific needs.

With the principle of “Quality Parts,Customers Priority,Honest Operation,and Considerate Service”,our business mainly focus on the distribution of electronic components. Line cards we deal with include Microchip,ALPS,ROHM,Xilinx,Pulse,ON,Everlight and Freescale. Main products comprise IC,Modules,Potentiometer,IC Socket,Relay,Connector.Our parts cover such applications as commercial,industrial, and automotives areas.

We are looking forward to setting up business relationship with you and hope to provide you with the best service and solution. Let us make a better world for our industry!



## Contact us

Tel: +86-755-8981 8866 Fax: +86-755-8427 6832

Email & Skype: info@chipsmall.com Web: www.chipsmall.com

Address: A1208, Overseas Decoration Building, #122 Zhenhua RD., Futian, Shenzhen, China



4

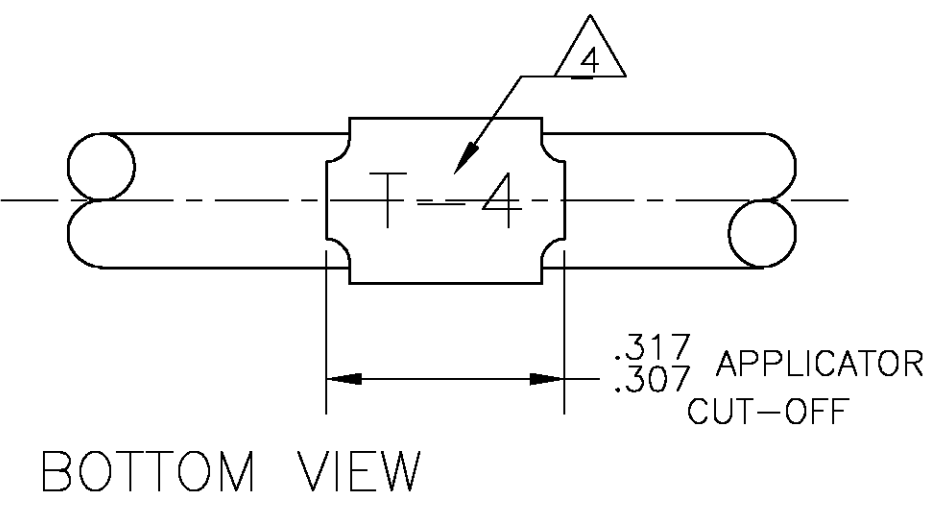
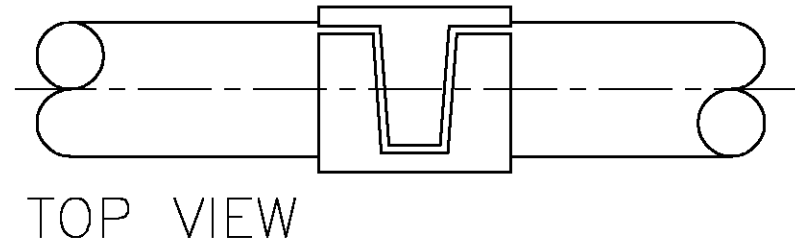
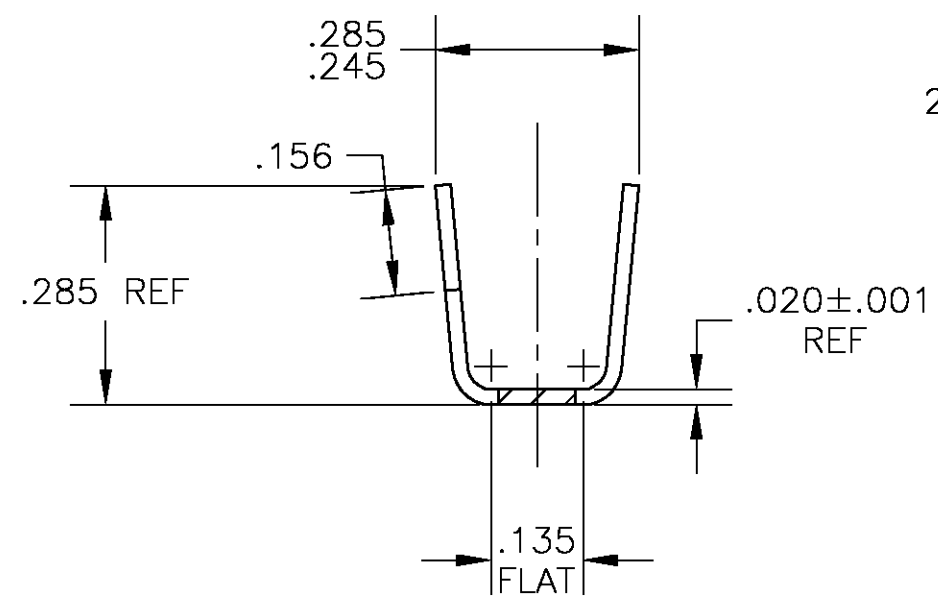
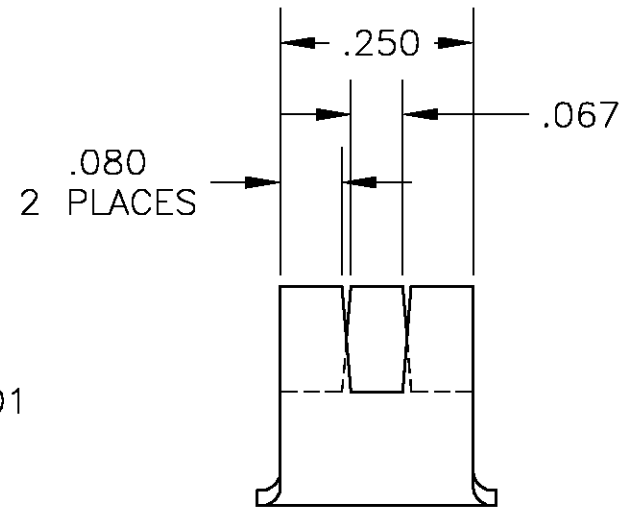
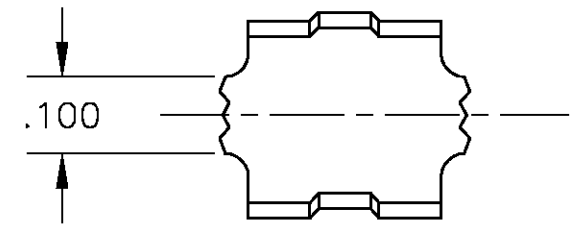
3

2

1

THIS DRAWING IS UNPUBLISHED. RELEASED FOR PUBLICATION  
 © COPYRIGHT 1972 BY TYCO ELECTRONICS CORPORATION. ALL RIGHTS RESERVED.

LOC	DIST	REVISIONS			
P	LTR	DESCRIPTION	DATE	DWN	APVD
AF	50	M	REL PER 0G3A-0714-04	14SEP04	JR GP



- 1 CONTINUOUS STRIP ON REELS.
- △2 RED ANODIZED PER MIL STD #104A.
- △3 YELLOW ANODIZED PER MIL STD #104A.
- △4 ALPHANUMERIC CODING MAY BE STAMPED IN THIS AREA IN APPLICATOR. CUSTOMER TO SPECIFY WHEN ORDERING. (1 - 3 DIGITS OR LETTERS)
- △5 SPLICE FREE REELING

	-	.125-.220 DIA	△5 41276-3
OBSOLETE	△3	.125-.220 DIA	41276-2
OBSOLETE	△2	.125-.220 DIA	41276-1
	-	.125-.220 DIA	41276
	FINISH	INSULATION RANGE	PART NUMBER

THIS DRAWING IS A CONTROLLED DOCUMENT.		DWN MICHAEL S. FEHER 17SEP2002	Tyco Electronics Corporation Harrisburg, PA 17105-3608	
DIMENSIONS: INCHES		CHK GARY PORTA 17SEP2002	NAME	
		APVD GARY PORTA 17SEP2002	PRODUCT SPEC	
TOLERANCES UNLESS OTHERWISE SPECIFIED: 0 PLC ± - 1 PLC ± - 2 PLC ± - 3 PLC ± .010 4 PLC ± - ANGLES ± 1'		APPLICATION SPEC		
MATERIAL H14 ALUMINUM		FINISH SEE TABLE	IDENTIFICATION BAND	
		WEIGHT -	SIZE A3	CAGE CODE 00779
		DRAWING NO C-41276		RESTRICTED TO
CUSTOMER DRAWING		SCALE 4:1	SHEET 1 OF 1	REV M