



Chipsmall Limited consists of a professional team with an average of over 10 year of expertise in the distribution of electronic components. Based in Hongkong, we have already established firm and mutual-benefit business relationships with customers from,Europe,America and south Asia,supplying obsolete and hard-to-find components to meet their specific needs.

With the principle of “Quality Parts,Customers Priority,Honest Operation,and Considerate Service”,our business mainly focus on the distribution of electronic components. Line cards we deal with include Microchip,ALPS,ROHM,Xilinx,Pulse,ON,Everlight and Freescale. Main products comprise IC,Modules,Potentiometer,IC Socket,Relay,Connector.Our parts cover such applications as commercial,industrial, and automotives areas.

We are looking forward to setting up business relationship with you and hope to provide you with the best service and solution. Let us make a better world for our industry!



Contact us

Tel: +86-755-8981 8866 Fax: +86-755-8427 6832

Email & Skype: info@chipsmall.com Web: www.chipsmall.com

Address: A1208, Overseas Decoration Building, #122 Zhenhua RD., Futian, Shenzhen, China

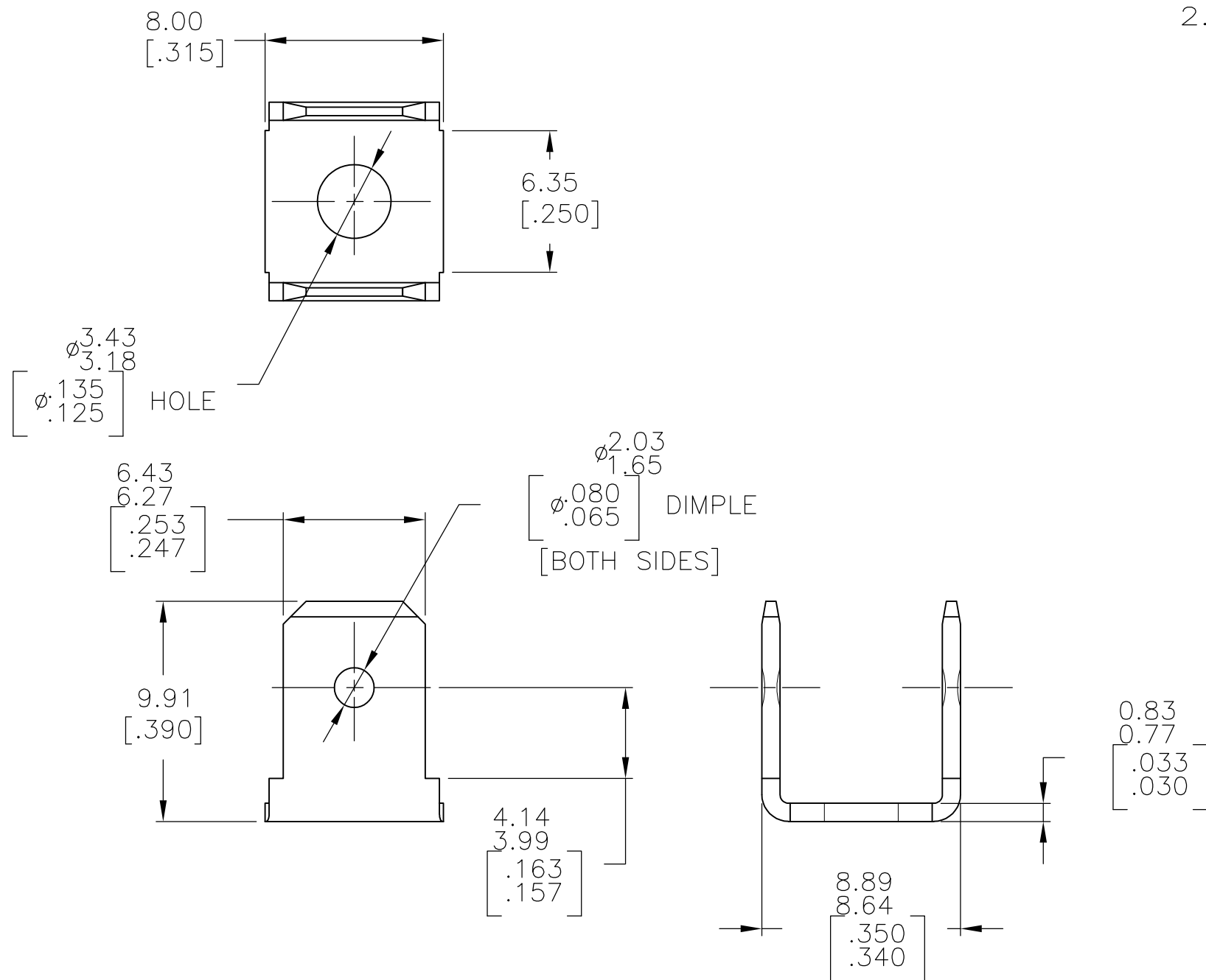


THIS DRAWING IS UNPUBLISHED. RELEASED FOR PUBLICATION

© COPYRIGHT - By - ALL RIGHTS RESERVED.

LOC	DIST	REVISIONS					
		P	LTR	DESCRIPTION	DATE	DWN	APVD
-	-	AG2		REVISED PER ECO-11-004820	11MAR11	RK	HMR

1. DIMENSIONS IN BRACKETS ARE IN INCHES.
2. SUPPLIED IN LOOSE PIECE.



41290
PART NUMBER

METRIC

THIS DRAWING IS A CONTROLLED DOCUMENT.		DWN	JR RUTH	8/12/86	STE TE Connectivity			
DIMENSIONS: mm [INCHES]		CHK	G YETTER	8/12/86				
TOLERANCES UNLESS OTHERWISE SPECIFIED:		APVD	C MEYERS	8/13/86	NAME			
0 PLC ± -		PRODUCT SPEC			.250 SERIES FASTON TAB			
1 PLC ± -		APPLICATION SPEC			RESTRICTED TO			
2 PLC ± -		SIZE	A3	CAGE CODE	00779	DRAWING NO	C-41290	
3 PLC ± 0.25 .010		WEIGHT			SCALE	4:1	SHEET	1 OF 1
4 PLC ± -		CUSTOMER DRAWING			REV	AG2		
ANGLES ± -		MATERIAL						
FINISH		NOS 2H BRASS						