



Chipsmall Limited consists of a professional team with an average of over 10 year of expertise in the distribution of electronic components. Based in Hongkong, we have already established firm and mutual-benefit business relationships with customers from,Europe,America and south Asia,supplying obsolete and hard-to-find components to meet their specific needs.

With the principle of “Quality Parts,Customers Priority,Honest Operation,and Considerate Service”,our business mainly focus on the distribution of electronic components. Line cards we deal with include Microchip,ALPS,ROHM,Xilinx,Pulse,ON,Everlight and Freescale. Main products comprise IC,Modules,Potentiometer,IC Socket,Relay,Connector.Our parts cover such applications as commercial,industrial, and automotives areas.

We are looking forward to setting up business relationship with you and hope to provide you with the best service and solution. Let us make a better world for our industry!



## Contact us

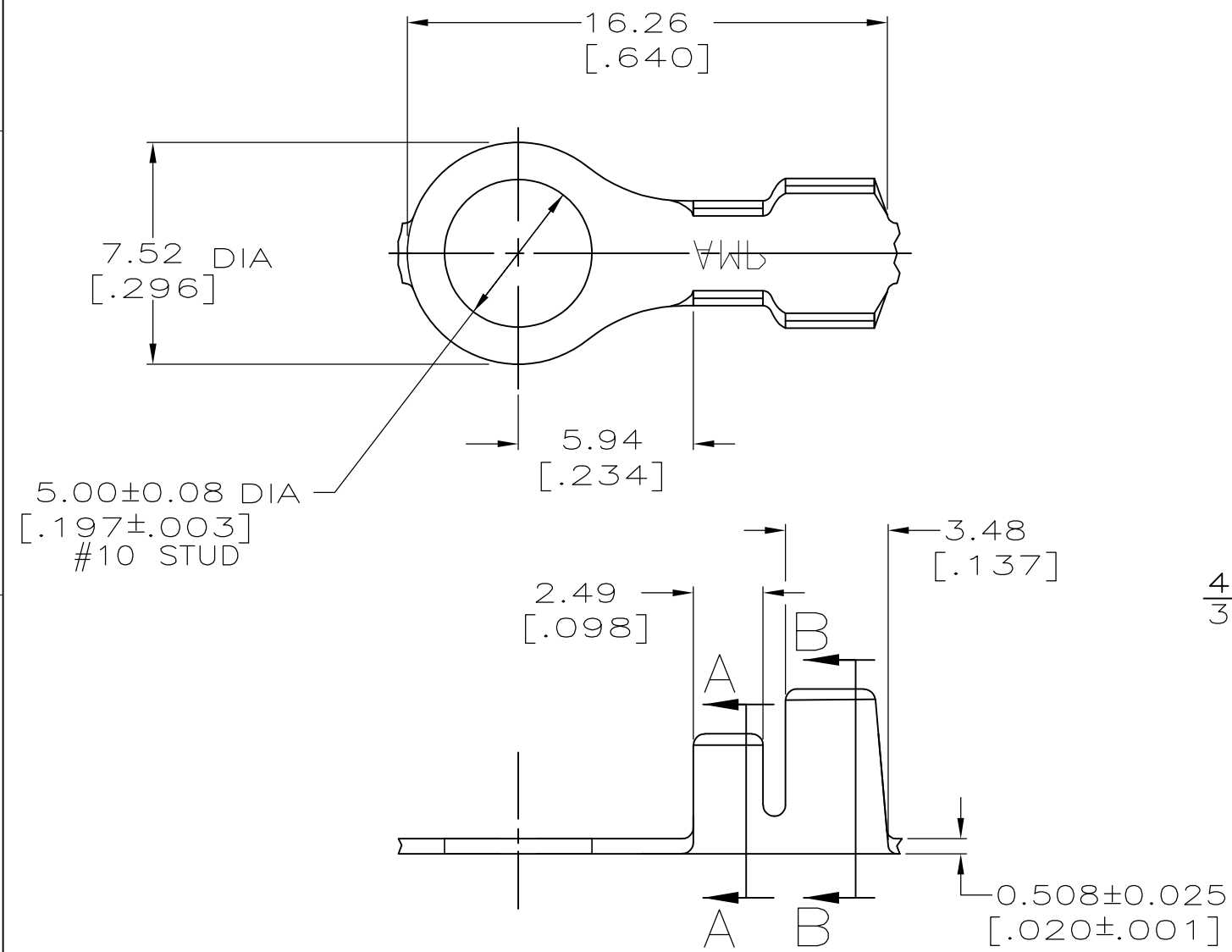
Tel: +86-755-8981 8866 Fax: +86-755-8427 6832

Email & Skype: info@chipsmall.com Web: www.chipsmall.com

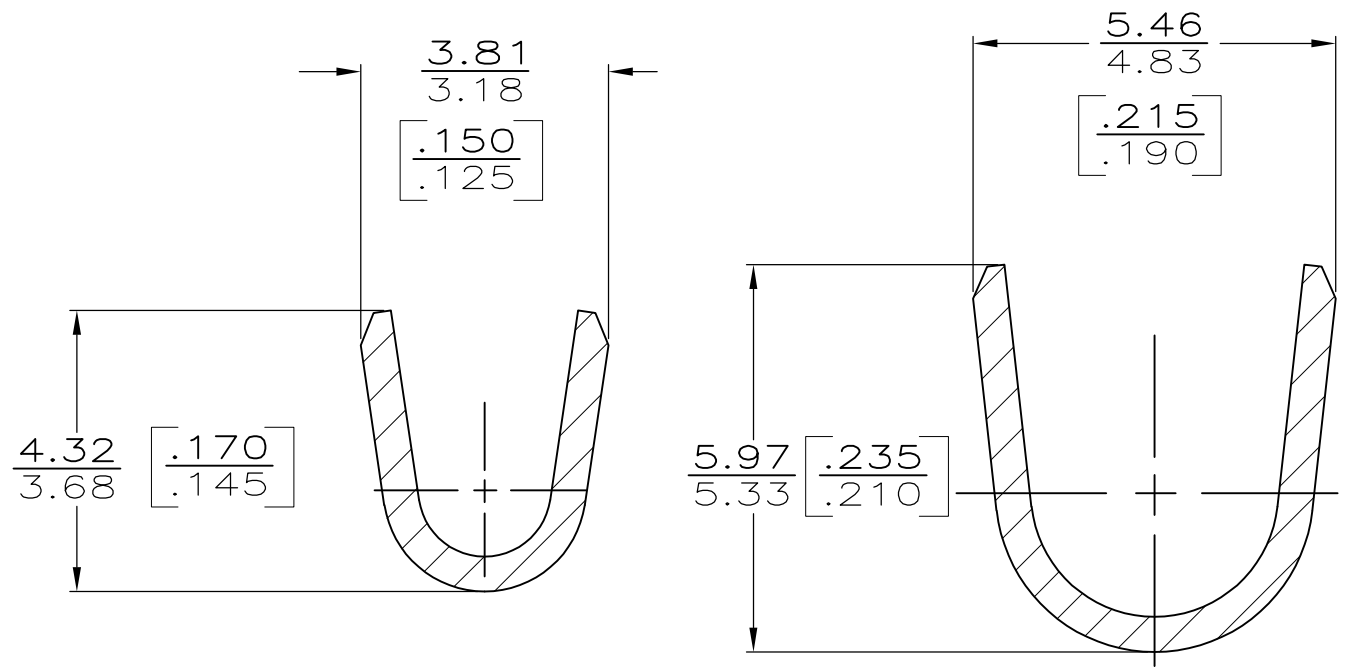
Address: A1208, Overseas Decoration Building, #122 Zhenhua RD., Futian, Shenzhen, China



LOC	DIST	REVISIONS			
P	LTR	DESCRIPTION	DATE	DWN	APVD
AF	50				
	N2	REVISED PER ECO-12-009221	15MAY12	JR	PD
	N3	REVISED PER ECO-13-000154	09JAN13	B.P	YH.M



- 1 CONTINUOUS STRIP ON REEL.
- △ 2 P/N 41333-2 IS SAME AS P/N 41333 EXCEPT IS REVERSE REELED.
- 3 P/N 41333-4 IS NICKEL PLATED STEEL.



SECTION A-A  
SCALE 10:1

SECTION B-B  
SCALE 10:1

**METRIC**

TYPE	WIDTH	STRIP LENGTH	TYPE	WIDTH	HEIGHT	WIRE
F OR O	4.57 [0.180]	4.06 [0.160]	F	3.05 [0.120]	2.03 [080]	2.0MM [14]
					1.83 [072]	1.3MM [16]
					1.70 [067]	0.8MM [18]
INSUL BARREL CRIMP		±0.38 [±0.015]	WIRE BARREL CRIMP		±0.051 [±0.002]	

THIS DRAWING IS A CONTROLLED DOCUMENT.		DWN B.P 1/09/13	<b>STE</b> TE Connectivity	
DIMENSIONS: mm[INCHES]		CHK F.M 1/11/13		
TOLERANCES UNLESS OTHERWISE SPECIFIED:		APVD YH.M 1/15/13	NAME RING	
0 PLC ± -		PRODUCT SPEC -	-	
1 PLC ± -		APPLICATION SPEC -	-	
2 PLC ± 0.25 [0.010]		WEIGHT -	SIZE A3	CAGE CODE 00779
3 PLC ± -		CUSTOMER DRAWING	DRAWING NO C-41333	RESTRICTED TO -
4 PLC ANGLES ± -		SCALE 5:1	SHEET 1 OF 1	REV N3
MATERIAL 082 BRASS	FINISH TIN			