



Chipsmall Limited consists of a professional team with an average of over 10 year of expertise in the distribution of electronic components. Based in Hongkong, we have already established firm and mutual-benefit business relationships with customers from,Europe,America and south Asia,supplying obsolete and hard-to-find components to meet their specific needs.

With the principle of "Quality Parts,Customers Priority,Honest Operation,and Considerate Service",our business mainly focus on the distribution of electronic components. Line cards we deal with include Microchip,ALPS,ROHM,Xilinx,Pulse,ON,Everlight and Freescale. Main products comprise IC,Modules,Potentiometer,IC Socket,Relay,Connector.Our parts cover such applications as commercial,industrial, and automotives areas.

We are looking forward to setting up business relationship with you and hope to provide you with the best service and solution. Let us make a better world for our industry!



Contact us

Tel: +86-755-8981 8866 Fax: +86-755-8427 6832

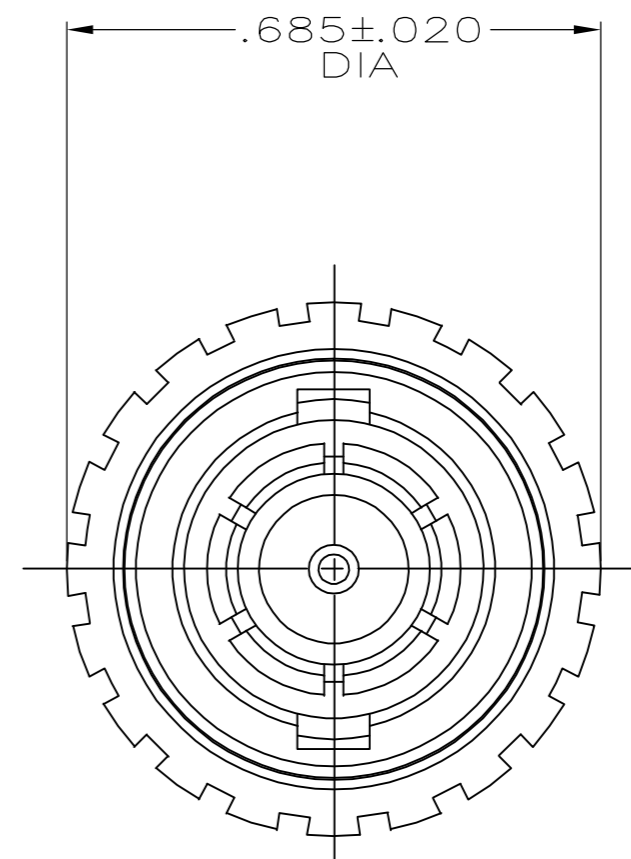
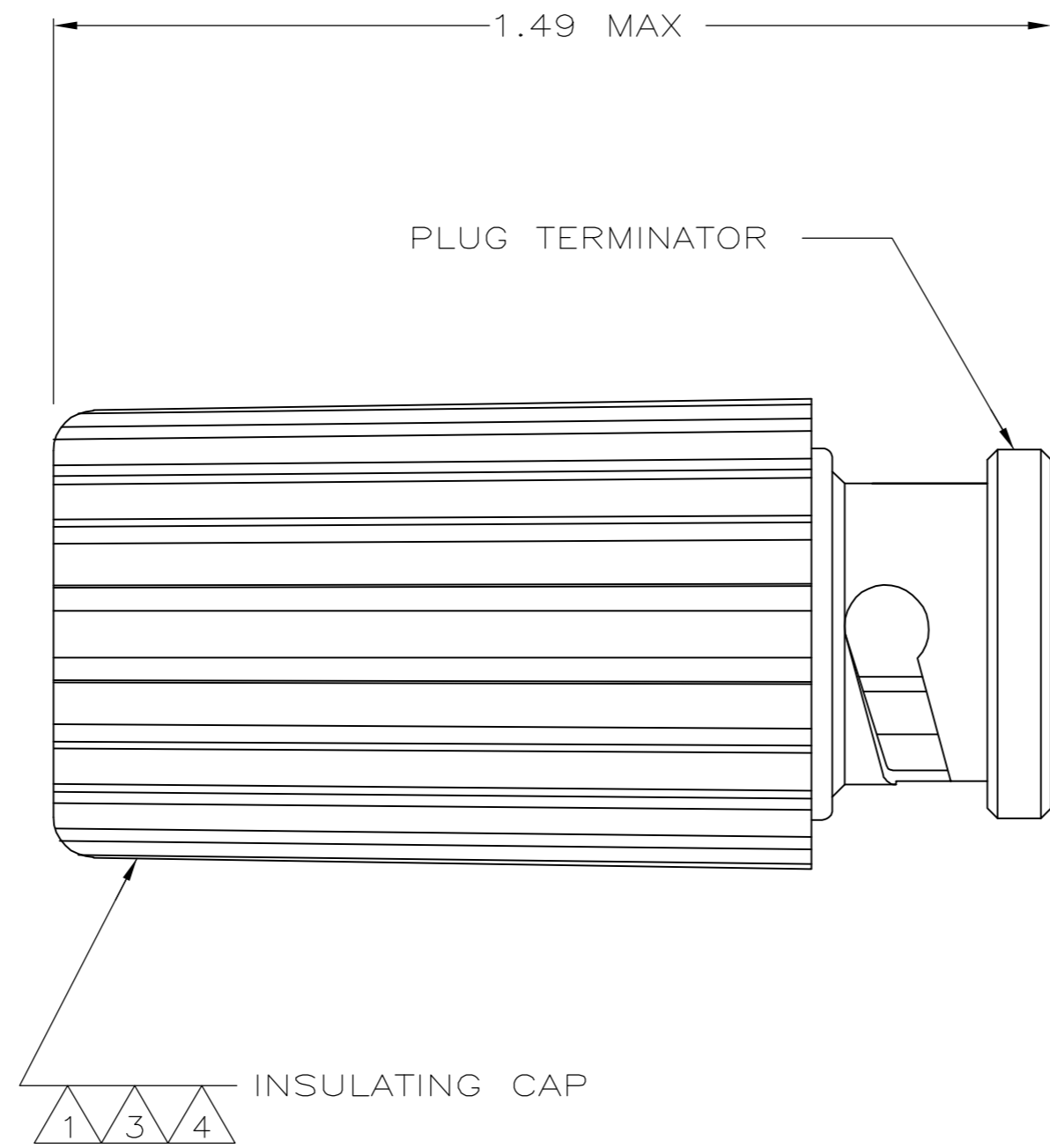
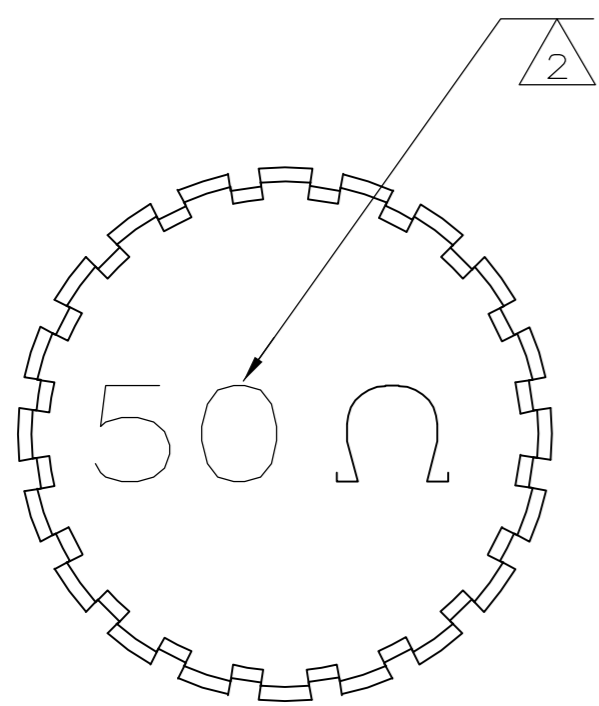
Email & Skype: info@chipsmall.com Web: www.chipsmall.com

Address: A1208, Overseas Decoration Building, #122 Zhenhua RD., Futian, Shenzhen, China



THIS DRAWING IS UNPUBLISHED. RELEASED FOR PUBLICATION
 © COPYRIGHT BY TYCO ELECTRONICS CORPORATION. ALL RIGHTS RESERVED.

LOC		DIST		REVISIONS			
P	LTR	DESCRIPTION	DATE	DWN	APVD		
D	AJ	16		D	REV PER EC 0514-0453-04	17OCT05	CJL GM



- ① POLYPHENYLENE OXIDE
 - ② RESISTOR VALUE IS MOLDED ON INSULATING CAP
 - ③ COLOR, BLACK
 - ④ COLOR, GRAY
 - ⑤ SAME AS 413364-1 EXCEPT PACKAGED 5 PER BOX
6. RESISTOR SPECIFICATIONS:
- A. 1 WATT
 - B. 1% TOLERANCE
 - C. 50 OHM

⑤	③	413364-3
④		413364-2
③	OBSOLETE	413364-1
		PART NUMBER

THIS DRAWING IS A CONTROLLED DOCUMENT.		DWN	J.L.GROFT	8-2-94	tyco Electronics	Tyco Electronics Corporation Harrisburg, PA 17105-3608	
DIMENSIONS: INCHES		CHK	R.J.KOBLER	8-2-94		NAME	
TOLERANCES UNLESS OTHERWISE SPECIFIED:		APVD	J.L.GROFT	8-3-94	PRODUCT SPEC		TERMINATOR, PLUG, INSULATED, 50 OHM, COMMERCIAL BNC
0 PLC ± -		APPLICATION SPEC		SIZE		CAGE CODE	DRAWING NO
1 PLC ± -		WEIGHT		A2		00779	C=413364
2 PLC ± -		CUSTOMER DRAWING		SCALE		4:1	SHEET
3 PLC ± -				REV		D	1 OF 1
4 PLC ± -							
ANGLES ± -							
FINISH							