



Chipsmall Limited consists of a professional team with an average of over 10 year of expertise in the distribution of electronic components. Based in Hongkong, we have already established firm and mutual-benefit business relationships with customers from,Europe,America and south Asia,supplying obsolete and hard-to-find components to meet their specific needs.

With the principle of “Quality Parts,Customers Priority,Honest Operation,and Considerate Service”,our business mainly focus on the distribution of electronic components. Line cards we deal with include Microchip,ALPS,ROHM,Xilinx,Pulse,ON,Everlight and Freescale. Main products comprise IC,Modules,Potentiometer,IC Socket,Relay,Connector.Our parts cover such applications as commercial,industrial, and automotives areas.

We are looking forward to setting up business relationship with you and hope to provide you with the best service and solution. Let us make a better world for our industry!



Contact us

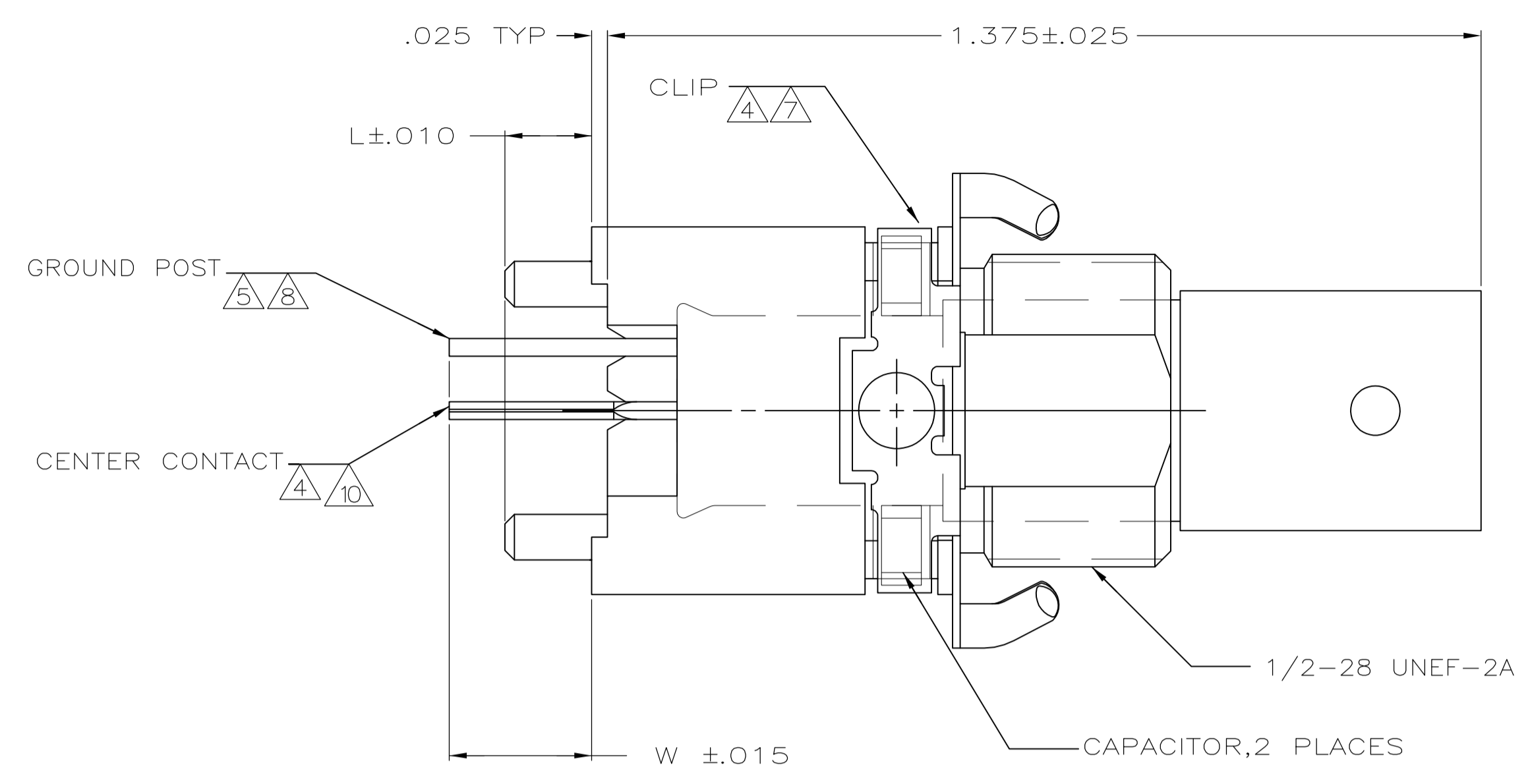
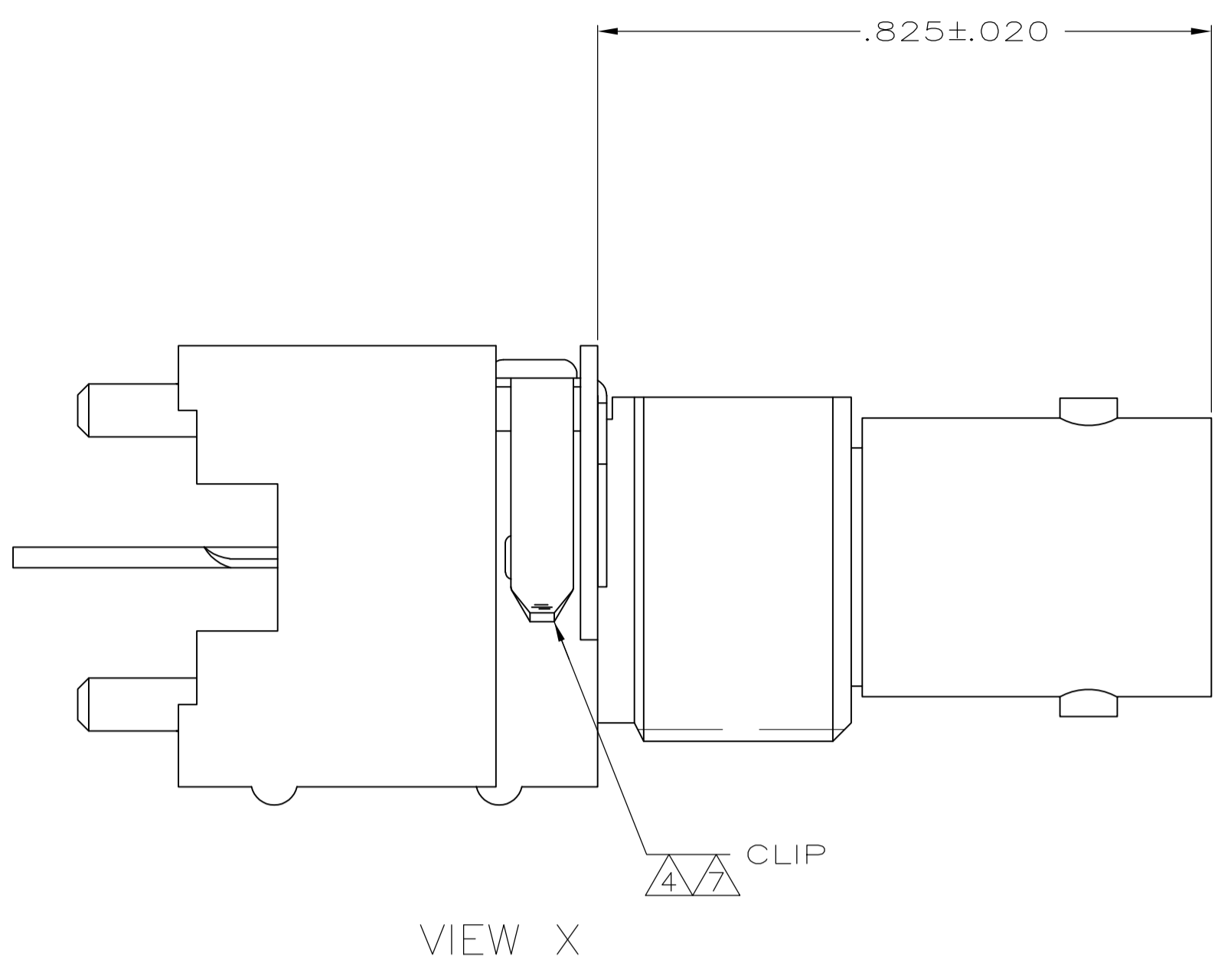
Tel: +86-755-8981 8866 Fax: +86-755-8427 6832

Email & Skype: info@chipsmall.com Web: www.chipsmall.com

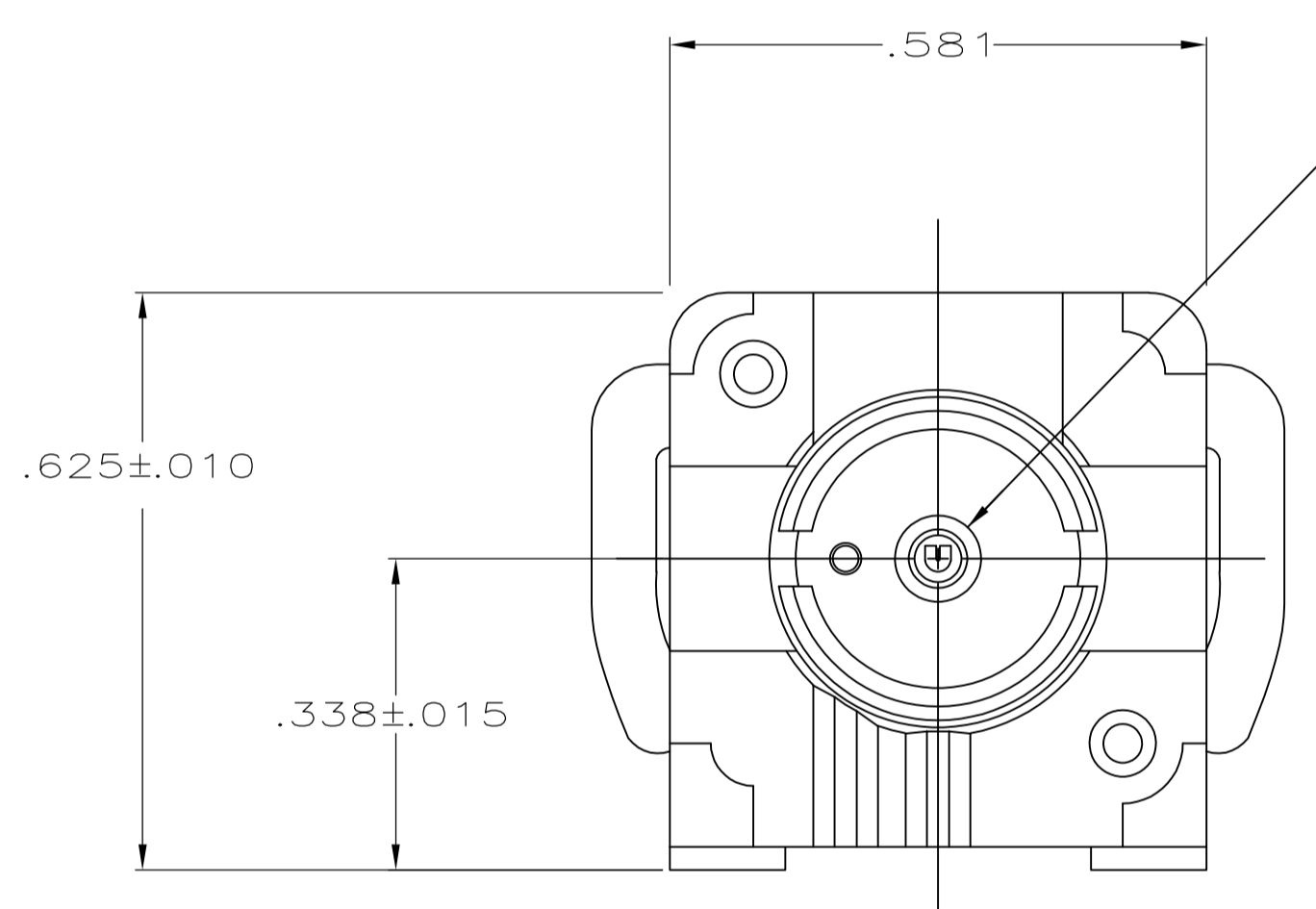
Address: A1208, Overseas Decoration Building, #122 Zhenhua RD., Futian, Shenzhen, China



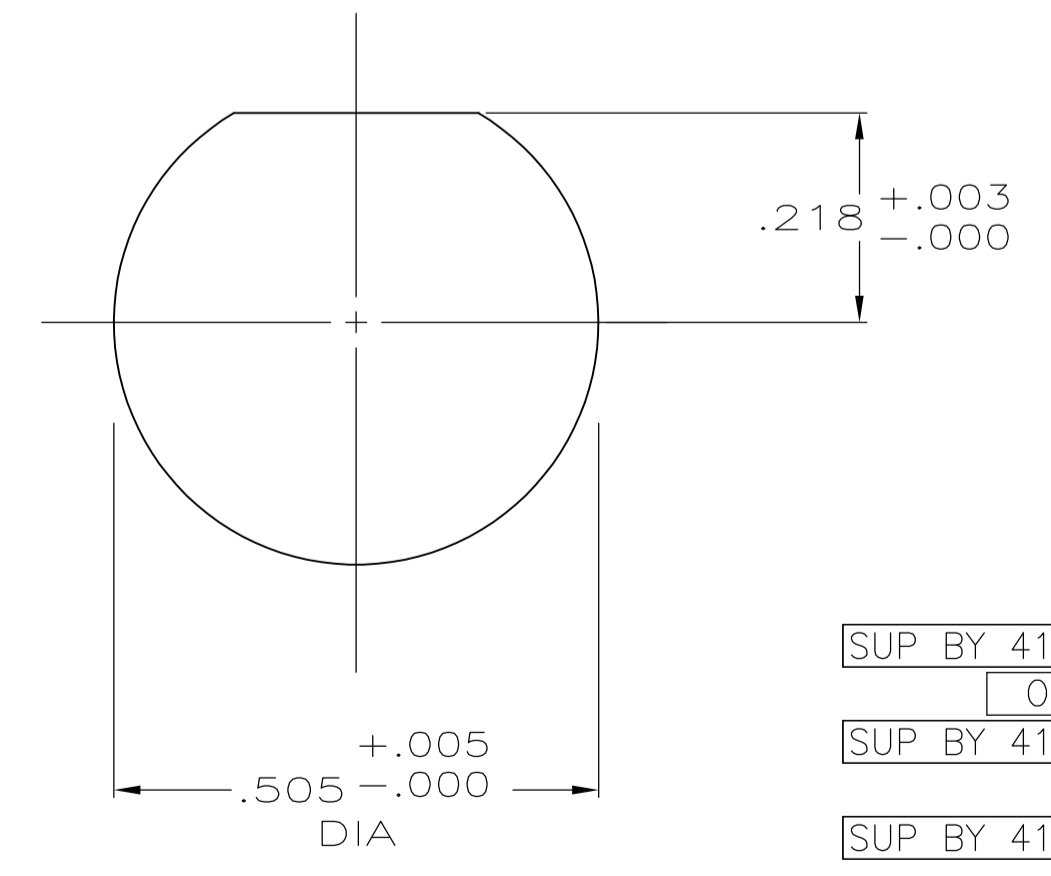
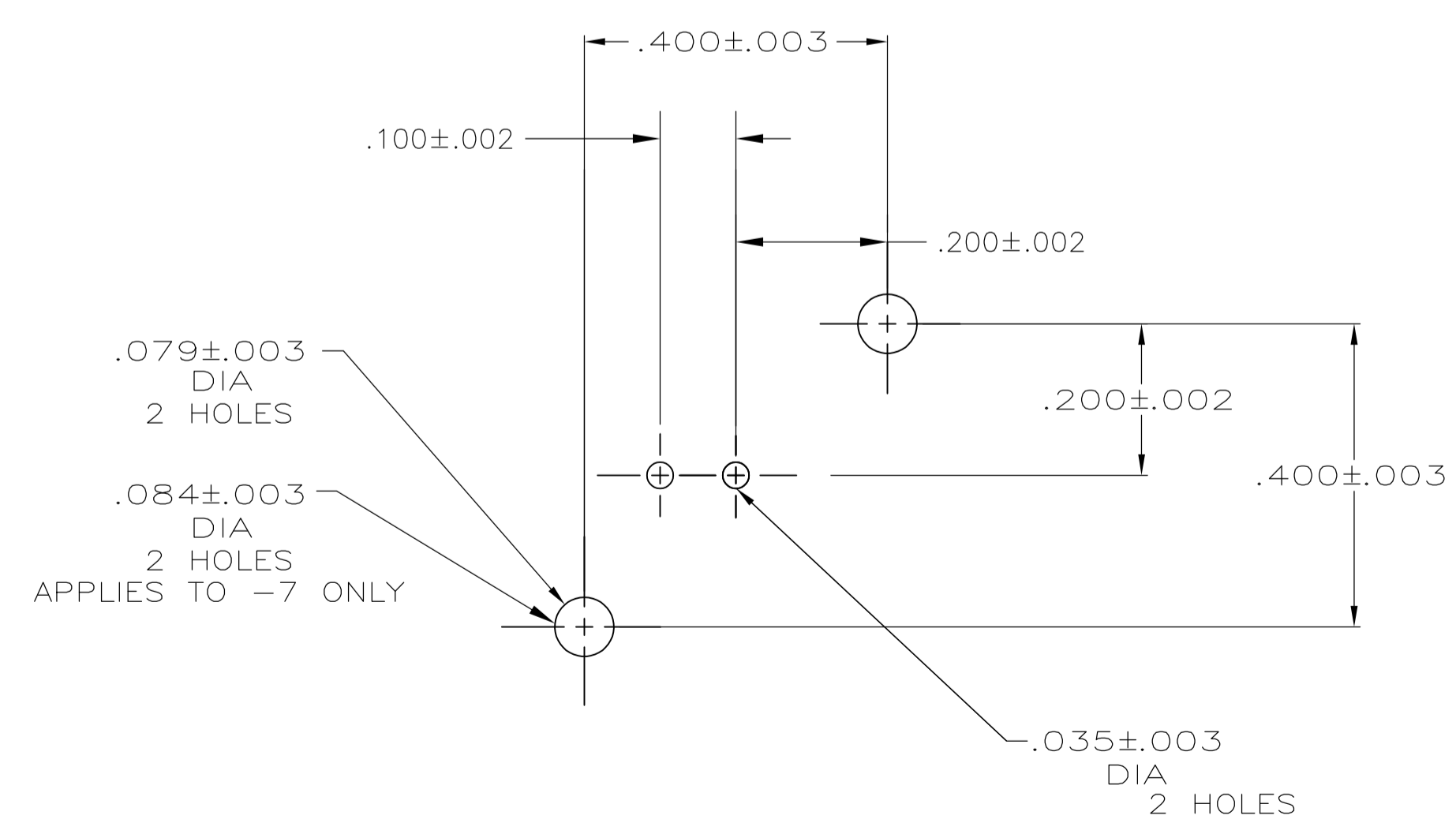
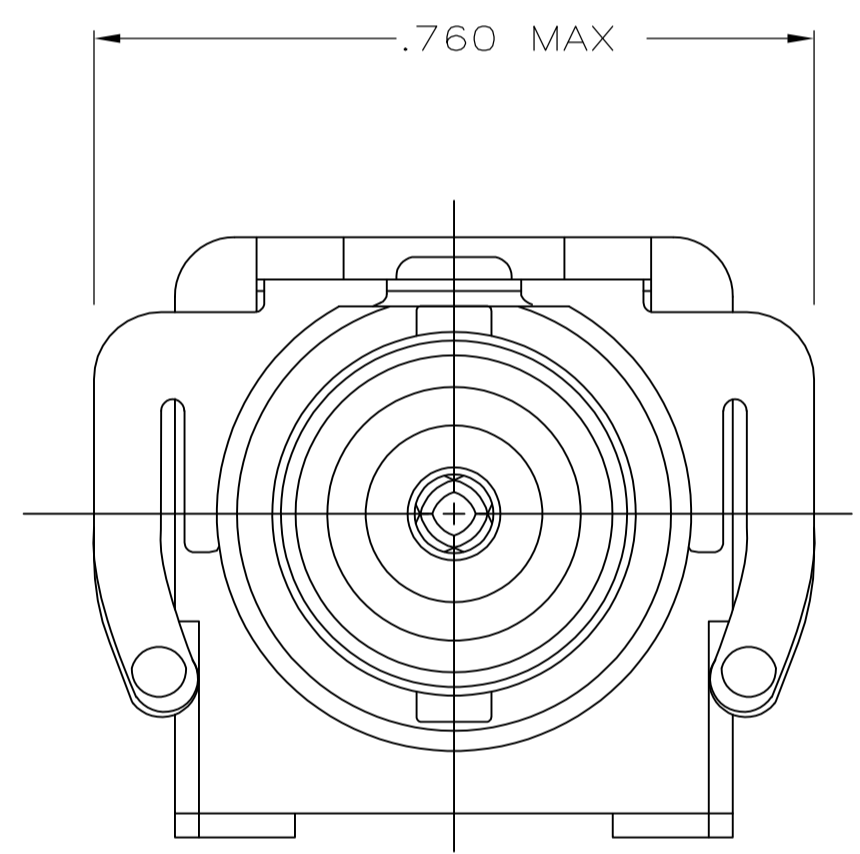
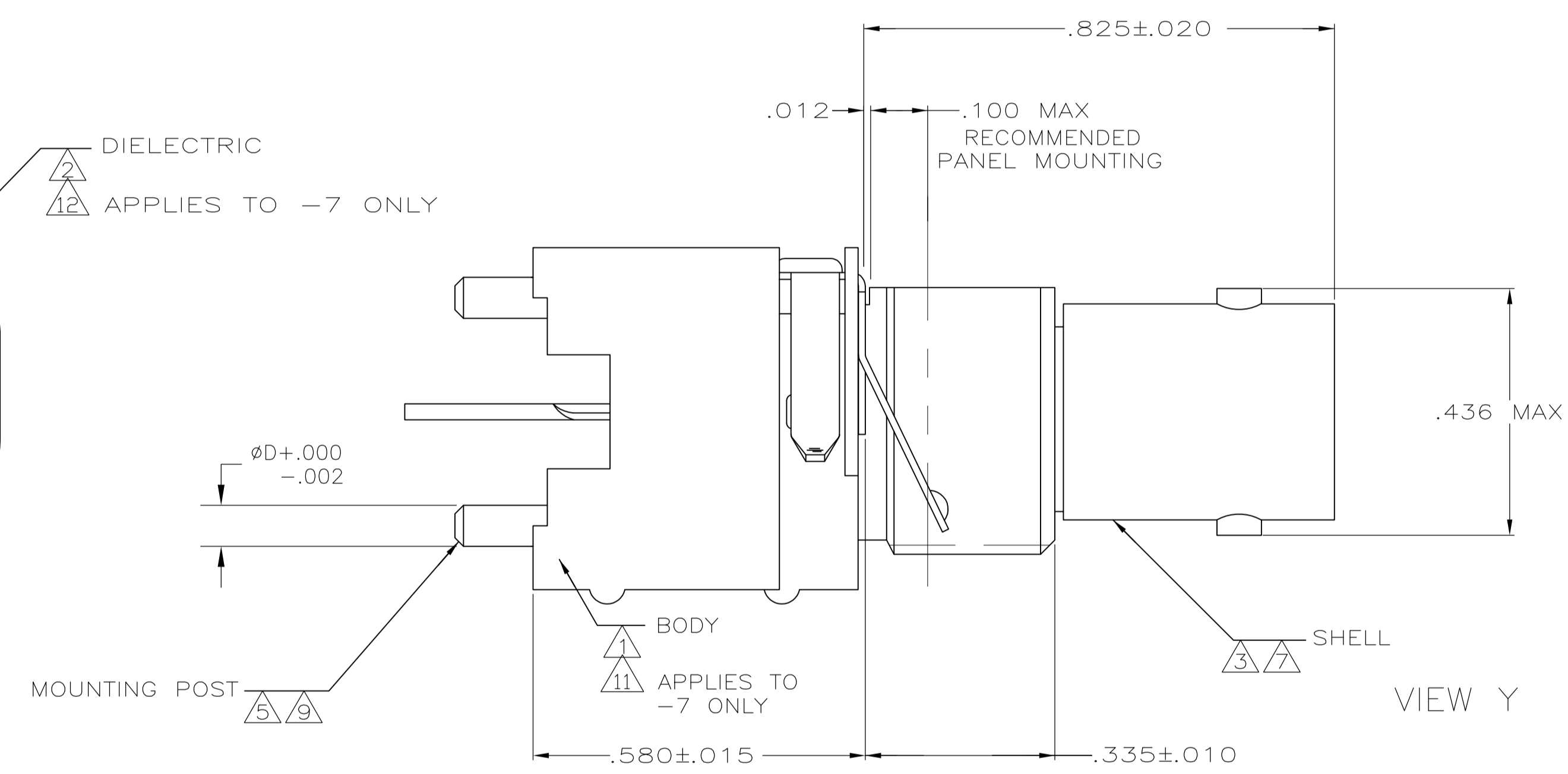
REVISONS		DATE	BY	APPV
V	REVISED PER ECO-08-009474	7/21/2008	DW	JL
W	REVISED PER ECO-09-005412	10/9/2009	AEG	WKE
W1	REVISED PER ECO-10-000443	13JAN10	KK	AEG



- 1 POLYESTER, PBT, BLACK, PER MIL-M-24519
- 2 POLYMETHYLPENTENE GENERAL PURPOSE
- 3 ZINC PER QQ-Z-363
- 4 PHOSPHOR BRONZE PER QQ-B-750
- 5 BRASS PER QQ-B-626
- 6 BRASS PER ASTM-B-453
- 7 NICKEL PL PER QQ-N-290
- 8 TIN PL PER ASTM-B-545
- 9 TIN PL PER ASTM-B-545
- 10 SELECTIVELY GOLD PLATED ON INTERFACE AREA PER: MIL-G-45204, .000030 THK, TIN PLATED ON SOLDER TAIL PER: ASTM-B-545, ALL OVER NICKEL PL PER: QQ-N-290
- 11 POLYESTER, PCT, BLACK, GENERAL PURPOSE
- 12 PTFE PER ASTM-D-1710
- 13 TRAY PACKAGING.



DIELECTRIC
12 APPLIES TO -7 ONLY



W	φD	L	CLIP VIEW	CAPACITANCE AND VOLTAGE	PART NUMBER
.169 +.008 - .007	.077	.137	Y	9400 pf, 1500 VDC	413476-7
.225	.072	.158	Y	9400 pf, 1500 VDC	413476-6
.225	.072	.231	Y	9400 pf, 1500 VDC	413476-5
OBSOLETE	.225	.072	X	9400 pf, 1500 VDC	413476-4
SUP BY 413476-2	.225	.072	X	9400 pf, 500 VDC	413476-3
SUP BY 413476-2	.225	.072	Y	9400 pf, 1500 VDC	413476-2
SUP BY 413476-2	.225	.072	Y	9400 pf, 500 VDC	413476-1

THIS DRAWING IS A CONTROLLED DOCUMENT.

INCHES

TOLERANCES UNLESS OTHERWISE SPECIFIED:

0 PL	±	-
1 PL	±	-
2 PL	±	-
3 PL	±	.008
4 PL	±	-
ANGLES	±	-

MATERIAL FINISH

1-6 11 12 7 8 9 10

THIS DRAWING IS A CONTROLLED DOCUMENT. 5/3/90

DESIGNED BY: P. KERLIN

CHECKED BY: R. E. RUTH

DATE: 5/18/90

APPROVED BY: [Signature]

NAME: [Signature]

PRODUCT SPEC: 108-1269

APPLICATION SPEC: [Blank]

SIZE: A1

SCALE: 5:1

SHEET: 1 of 1

REV: W1

Tyco Electronics Corporation
Harrisburg, Pa 17105-3608

JACK, DECOUPLER, VERTICAL, PCB, SERIES BNC

00779 C=413476

CUSTOMER DRAWING