



Chipsmall Limited consists of a professional team with an average of over 10 year of expertise in the distribution of electronic components. Based in Hongkong, we have already established firm and mutual-benefit business relationships with customers from,Europe,America and south Asia,supplying obsolete and hard-to-find components to meet their specific needs.

With the principle of "Quality Parts,Customers Priority,Honest Operation,and Considerate Service",our business mainly focus on the distribution of electronic components. Line cards we deal with include Microchip,ALPS,ROHM,Xilinx,Pulse,ON,Everlight and Freescale. Main products comprise IC,Modules,Potentiometer,IC Socket,Relay,Connector.Our parts cover such applications as commercial,industrial, and automotives areas.

We are looking forward to setting up business relationship with you and hope to provide you with the best service and solution. Let us make a better world for our industry!



Contact us

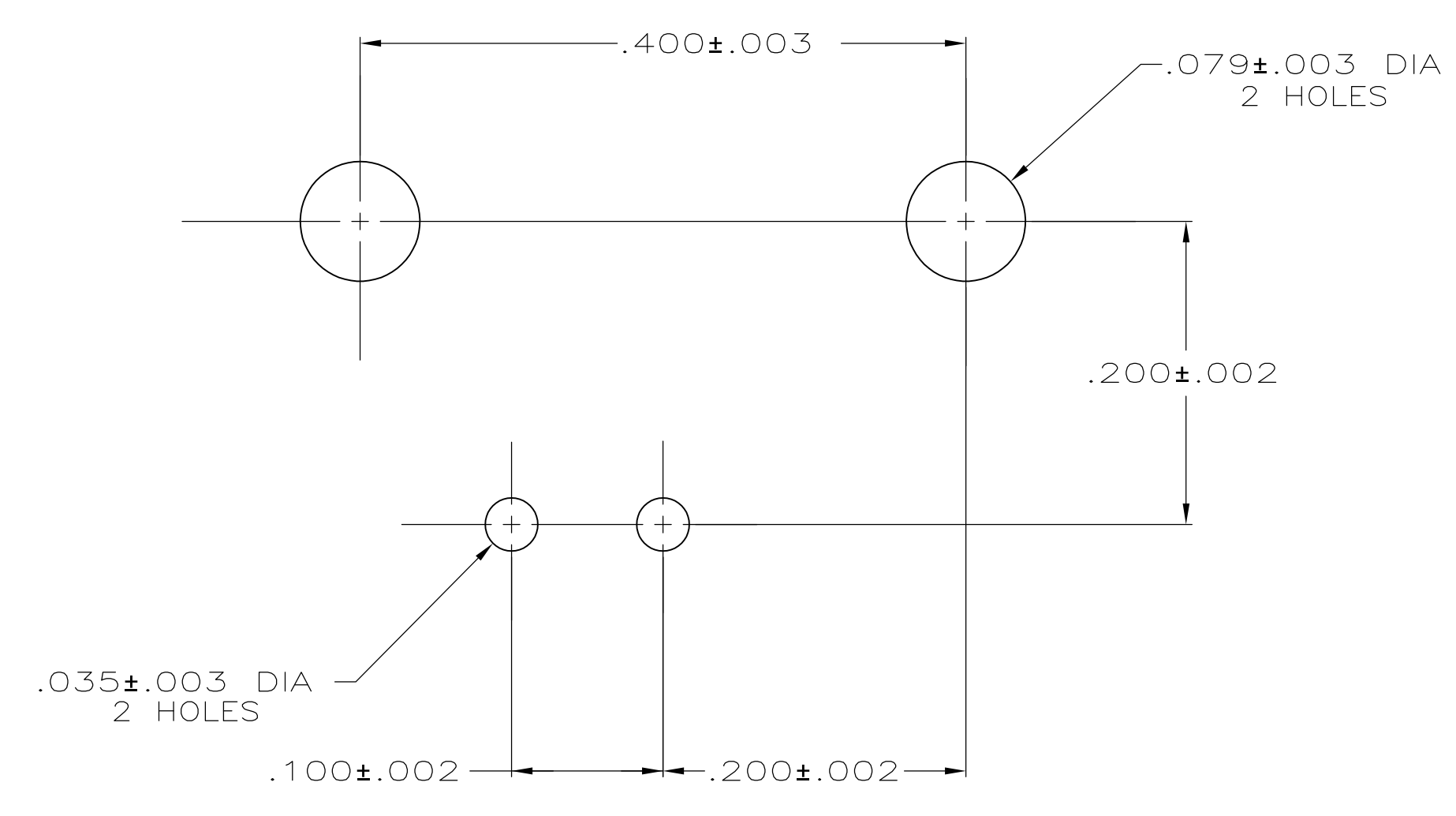
Tel: +86-755-8981 8866 Fax: +86-755-8427 6832

Email & Skype: info@chipsmall.com Web: www.chipsmall.com

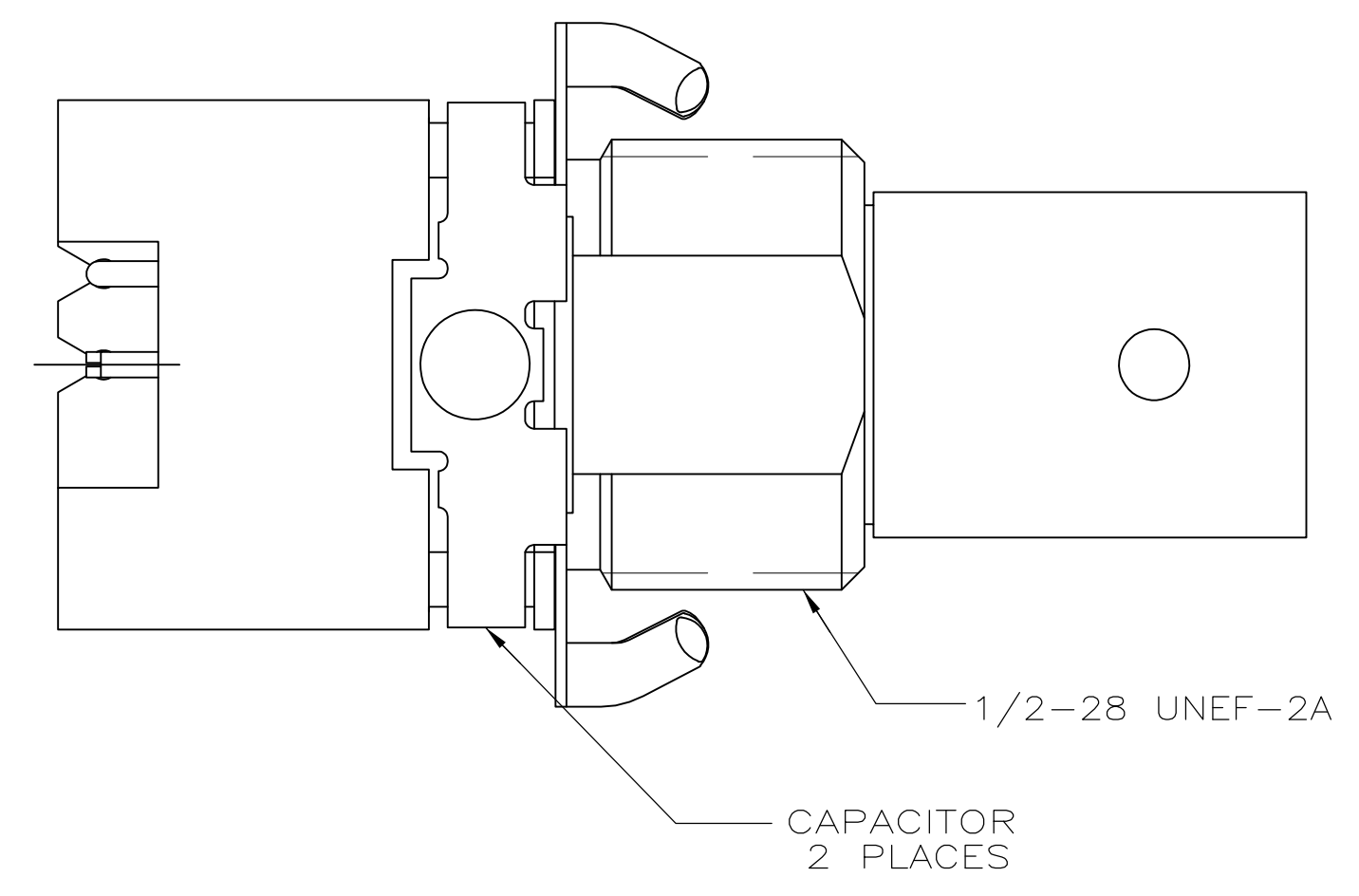
Address: A1208, Overseas Decoration Building, #122 Zhenhua RD., Futian, Shenzhen, China



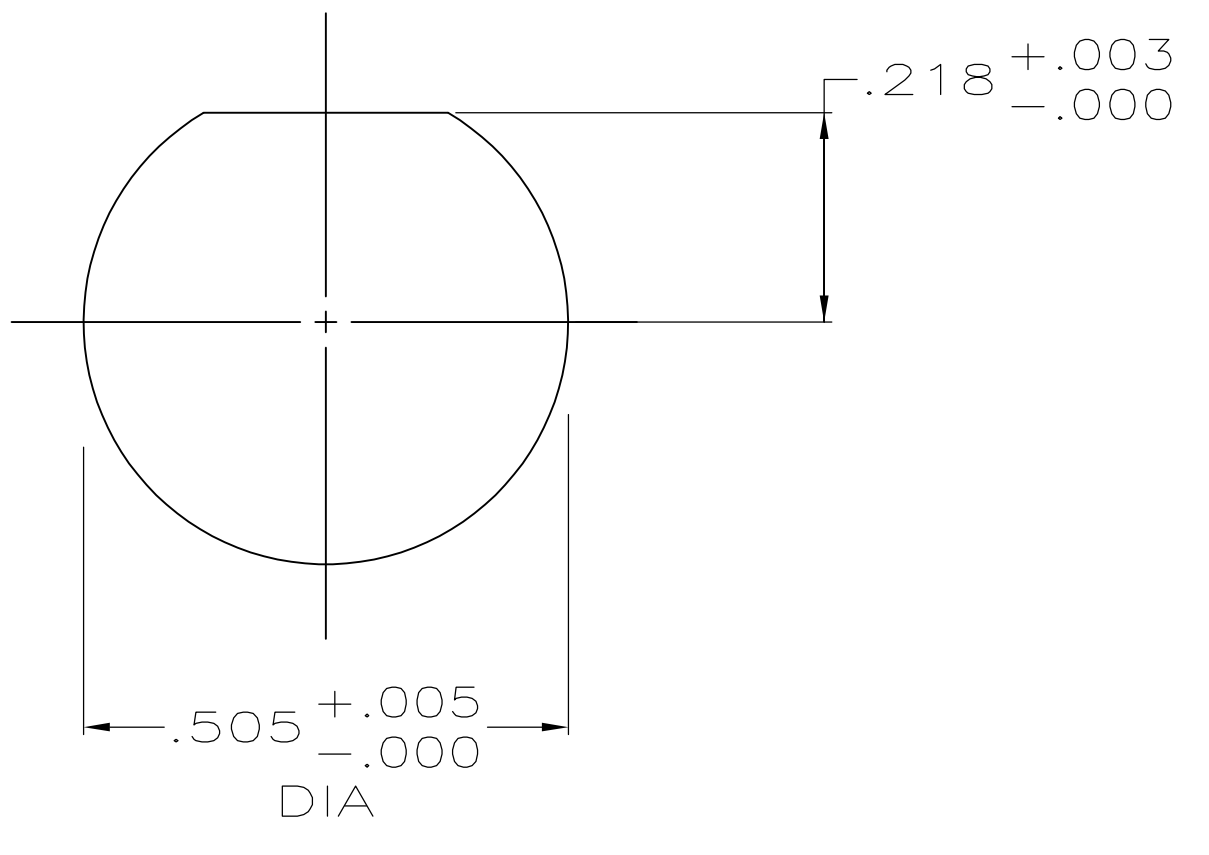
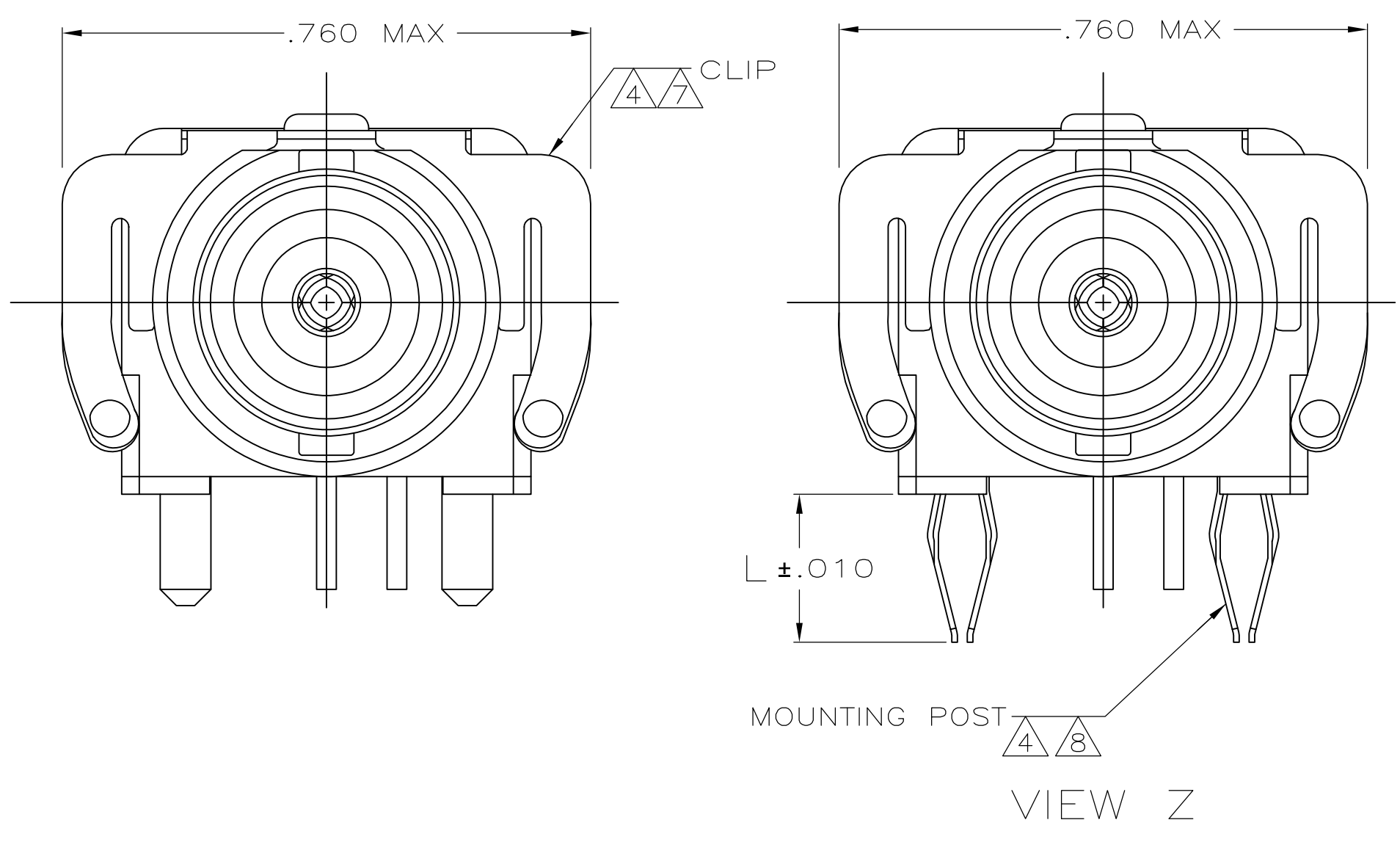
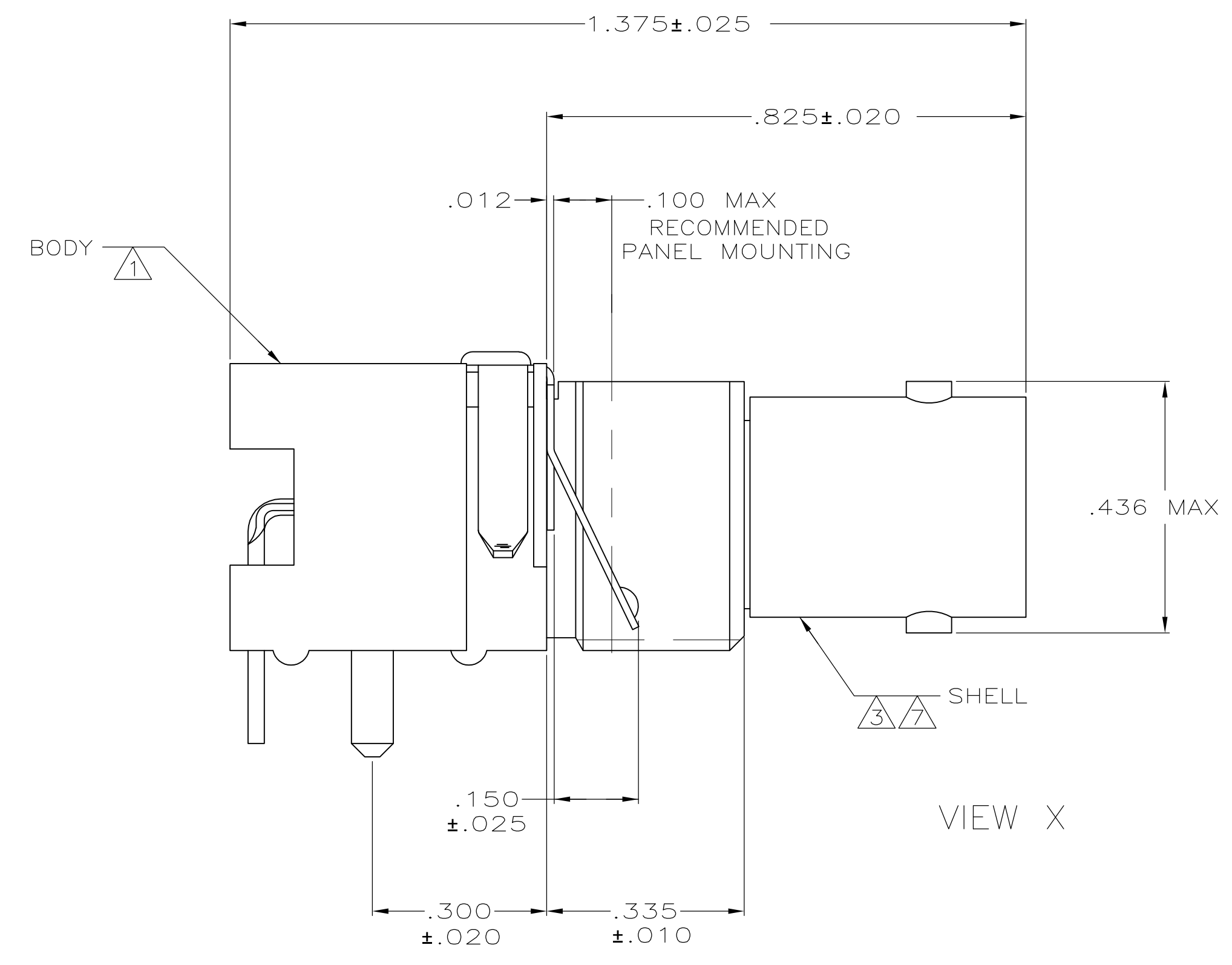
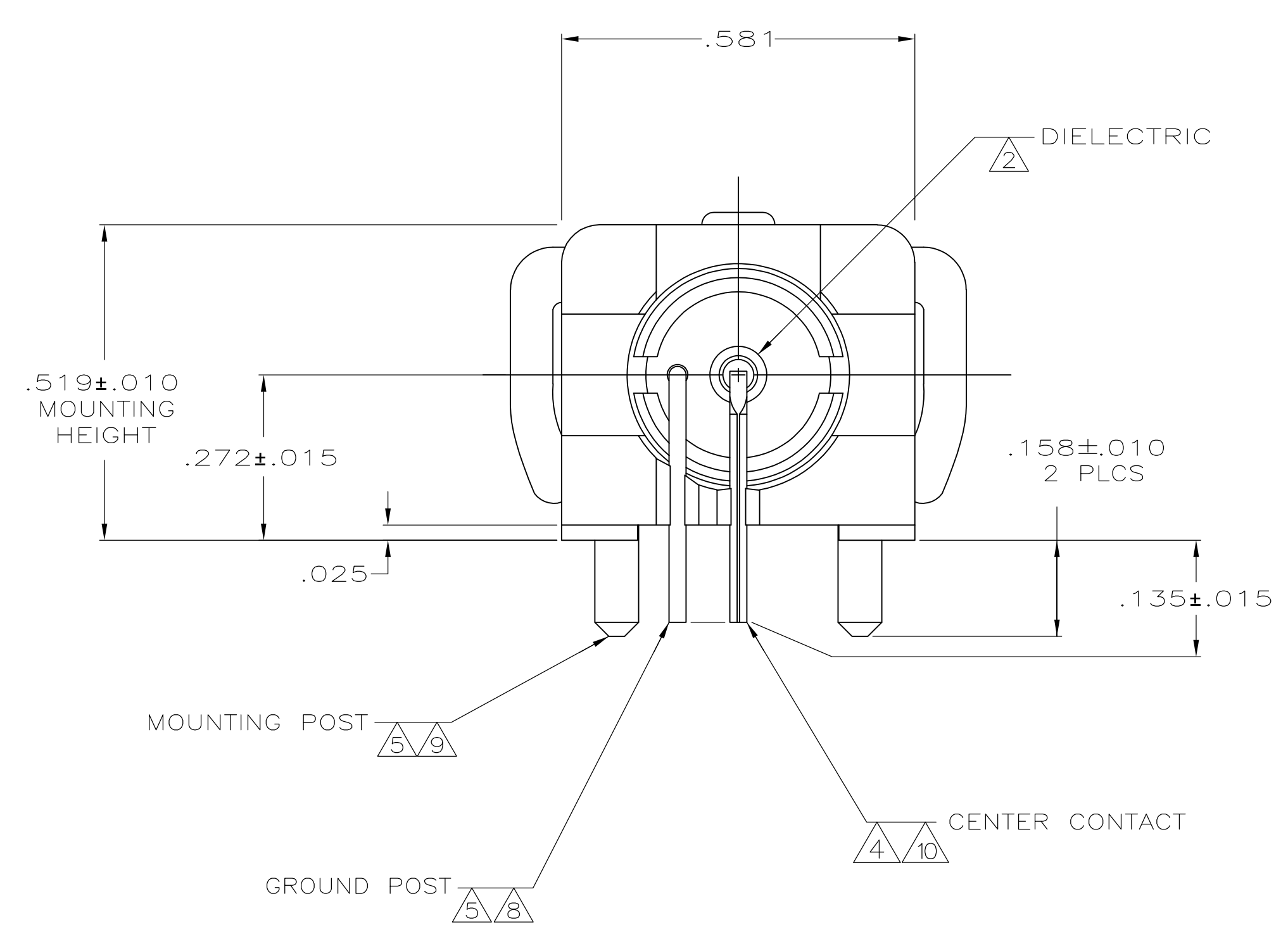
LOC	DIST	REVISIONS			
		REV	DESCRIPTION	DATE	BY
AJ	16	AB	REVISED PER ECO-08-009474	7/21/2008	DW JL
		AB1	REVISED PER ECO-09-021826	12SEP09	KK AEG



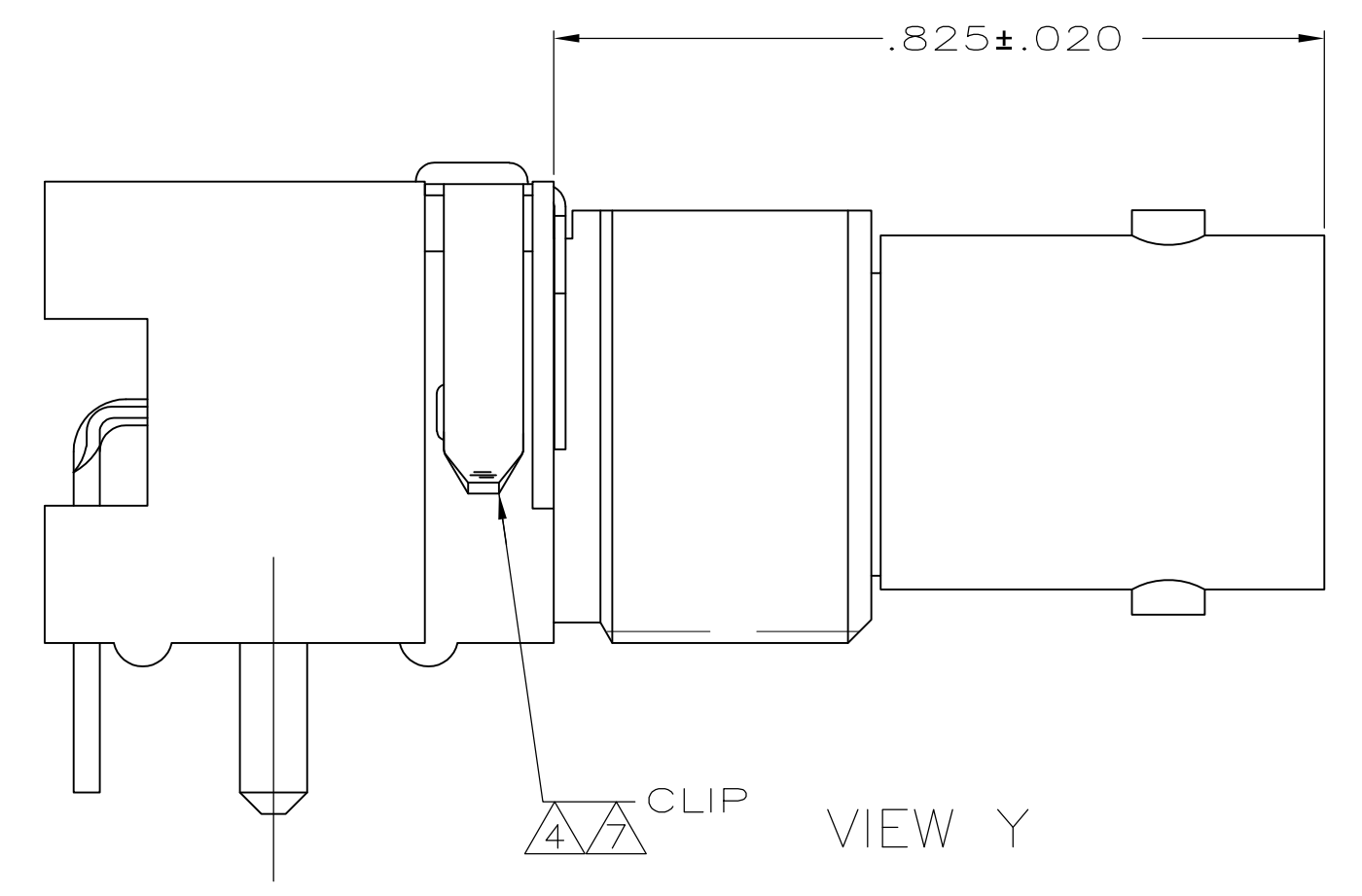
P.C.B. CONFIGURATION
SCALE=10:1



- 1 POLYESTER, PBT, BLACK, PER MIL-M-24519.
- 2 POLYMETHYLPENTENE GENERAL PURPOSE.
- 3 ZINC PER QQ-Z-363.
- 4 PHOSPHOR BRONZE PER QQ-B-750.
- 5 BRASS PER QQ-B-626.
- 6 BRASS PER ASTM-B-453.
- 7 NICKEL PL PER QQ-N-290.
- 8 TIN PLATE PER ASTM-B-545.
- 9 TIN PLATE PER ASTM-B-545.
- 10 SELECTIVELY GOLD PLATED ON INTERFACE AREA PER MIL-G-45204, .000030 THK, TIN PLATED ON SOLDER TAIL PER ASTM-B-545, ALL OVER NICKEL PL PER QQ-N-290.
- 11 OBSOLETE PARTS: OBSOLETE CIS STREAMLINING PER D.RENAUD/D.SINISI



RECOMMENDED PANEL CUTOUT



REV	DESCRIPTION	VIEW X	VIEW Y	CAPACITANCE & VOLTAGE	PART NO
OBSOLETE	-	VIEW X	VIEW X	1000 pf, 2200 VDC	1-413515-1
SUPERSEDED BY 413515-2	-	VIEW X OR Y	VIEW X	9400 pf, 1500 VDC	1-413515-0
	.110	VIEW Z	VIEW X	9400 pf, 1500 VDC	413515-9
SUPERSEDED BY 5413515-8	.185	VIEW Z	VIEW X	9400 pf, 1500 VDC	413515-8
	.110	VIEW Z	VIEW X	7900 pf, 1600 VDC	413515-7
SUPERSEDED BY 413515-7	.185	VIEW Z	VIEW X	7900 pf, 1600 VDC	413515-6
SUPERSEDED BY 413515-2	-	VIEW X OR Y	VIEW Y	9400 pf, 1500 VDC	413515-5
SUPERSEDED BY 413515-2	-	VIEW X OR Y	VIEW Y	9400 pf, 500 VDC	413515-4
OBSOLETE	-	VIEW X OR Y	VIEW X	20000 pf, 500 VDC	413515-3
	-	VIEW X OR Y	VIEW X	9400 pf, 1500 VDC	413515-2
SUPERSEDED BY 413515-2	-	VIEW X OR Y	VIEW X	9400 pf, 500 VDC	413515-1
L	MOUNTING POST	CLIP	CAPACITANCE & VOLTAGE	PART NO	

THIS DRAWING IS A CONTROLLED DOCUMENT.

DIMENSIONS: INCHES	TOLERANCES UNLESS OTHERWISE SPECIFIED:	DIN P. KERLIN 5/4/90	Tyco Electronics Corporation Middletown, PA 17057
0 PLC ± -	1 PLC ± -	CHK R. E. RUTH 5/18/90	
2 PLC ± -	3 PLC ± .008	APP'D P. BIRD 5/18/90	NAME
4 PLC ± -	ANGLES ± -		JACK, DECOUPLER, RIGHT ANGLE, LOW PROFILE, SERIES BNC
MATERIAL THRU	FINISH	SIZE	CAGE CODE
		WEIGHT	DRAWING NO
			RESTRICTED TO
		A1 00779	SCALE 4:1 SHEET 1 OF 1 REV AB1