



Chipsmall Limited consists of a professional team with an average of over 10 year of expertise in the distribution of electronic components. Based in Hongkong, we have already established firm and mutual-benefit business relationships with customers from,Europe,America and south Asia,supplying obsolete and hard-to-find components to meet their specific needs.

With the principle of “Quality Parts,Customers Priority,Honest Operation,and Considerate Service”,our business mainly focus on the distribution of electronic components. Line cards we deal with include Microchip,ALPS,ROHM,Xilinx,Pulse,ON,Everlight and Freescale. Main products comprise IC,Modules,Potentiometer,IC Socket,Relay,Connector.Our parts cover such applications as commercial,industrial, and automotives areas.

We are looking forward to setting up business relationship with you and hope to provide you with the best service and solution. Let us make a better world for our industry!



Contact us

Tel: +86-755-8981 8866 Fax: +86-755-8427 6832

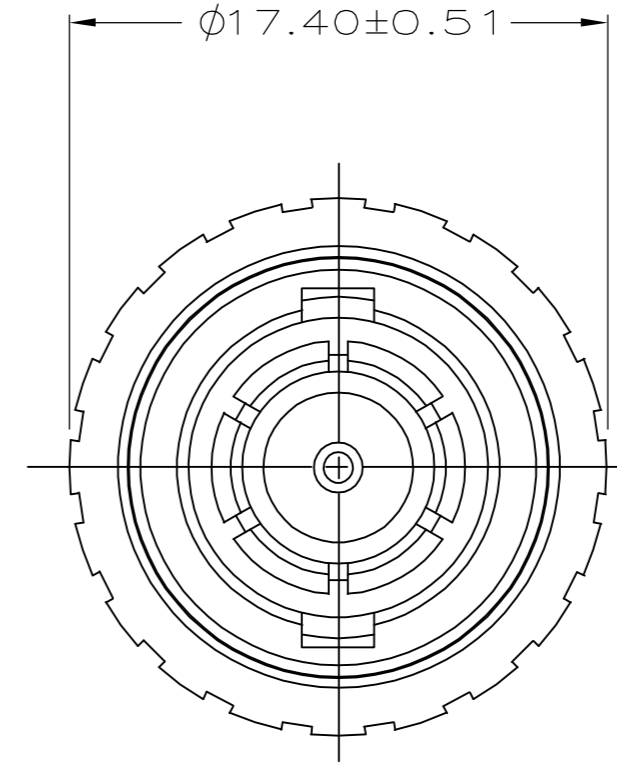
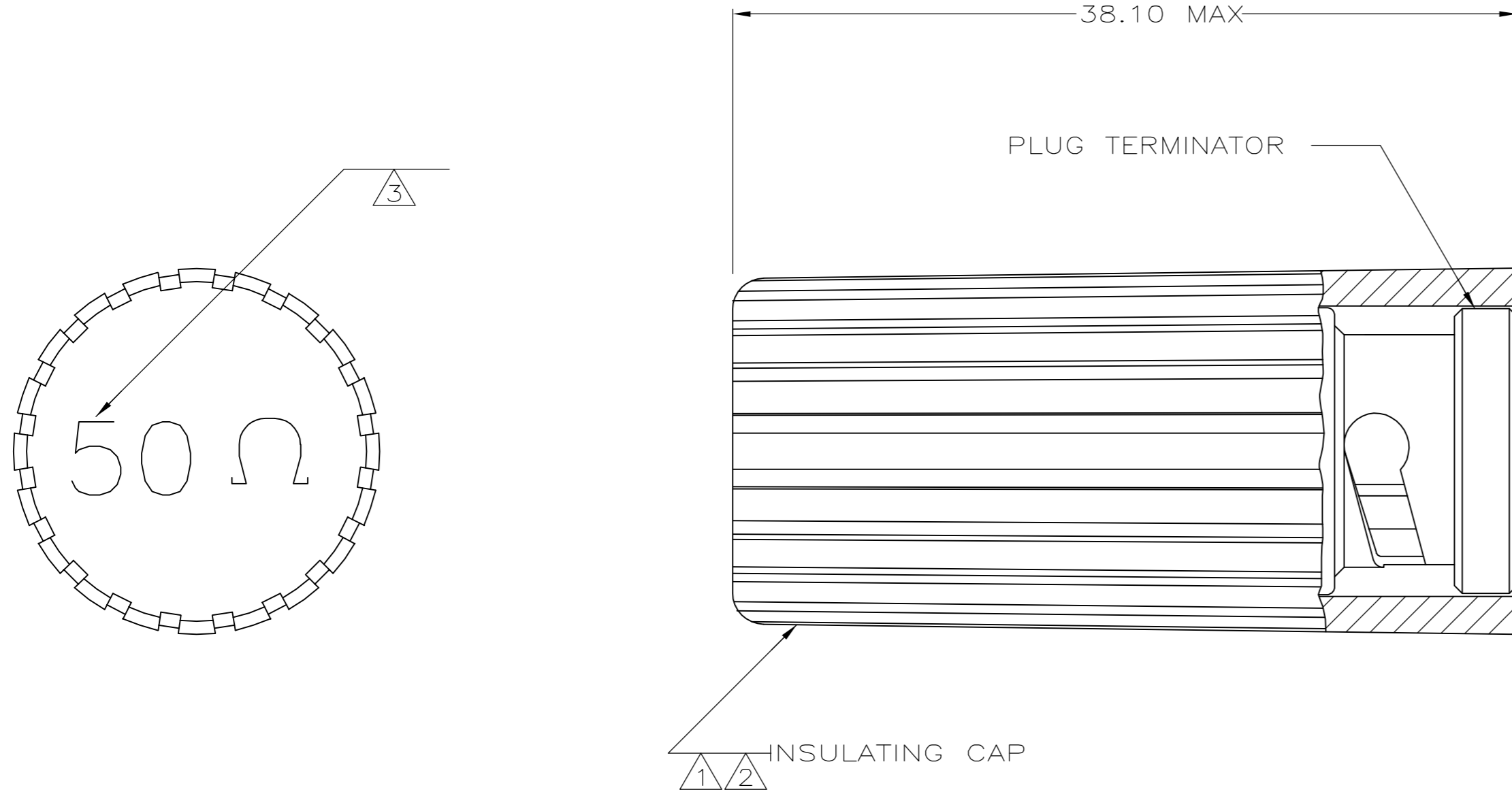
Email & Skype: info@chipsmall.com Web: www.chipsmall.com

Address: A1208, Overseas Decoration Building, #122 Zhenhua RD., Futian, Shenzhen, China



THIS DRAWING IS UNPUBLISHED. RELEASED FOR PUBLICATION
 © COPYRIGHT BY TYCO ELECTRONICS CORPORATION. ALL RIGHTS RESERVED.

LOC	DIST	REVISIONS			
P	LTR	DESCRIPTION	DATE	DWN	APVD
AJ	16	B1	REVISED PER ECO-05-015912	31MAR2006	KS JH



- 1 POLYPHENYLENE OXIDE, COLOR: GRAY
- 2 POLYPHENYLENE OXIDE, COLOR: BLACK
- 3 RESISTOR VALUE IS MOLDED IN INSULATING CAP
- 4 RESISTOR SPECIFICATIONS:
 - A. 1/2 WATT
 - B. 1% TOLERANCE
 - C. 50 Ohm
- 5 SAME AS 413557-1 EXCEPT PACKAGED 5 PER BOX

5	OBSOLETE	1	413557-3
		2	413557-2
	OBSOLETE	1	413557-1
		FINISH	PART NUMBER

THIS DRAWING IS A CONTROLLED DOCUMENT.		DWN	P. KERLIN	10/19/90	 Tyco Electronics Corporation Harrisburg, PA 17105-3608	
DIMENSIONS: mm [INCHES]		CHK	J.L.GROFT	10-25-90		
TOLERANCES UNLESS OTHERWISE SPECIFIED:		APVD	J. DUNBAR	10-25-90		
0 PLC ± - 1 PLC ± - 2 PLC ± - 3 PLC ± - 4 PLC ± - ANGLES ± - FINISH		PRODUCT SPEC	-			
MATERIAL	1-	WEIGHT	-		NAME	TERMINATOR, PLUG, INSULATED, 50 Ohm, COMMERCIAL BNC
		CUSTOMER DRAWING	SCALE	4:1	SIZE	A2
			SHEET	1 of 1	CAGE CODE	00779
			REV	B1	DRAWING NO	C=413557
			RESTRICTED TO	-		