



Chipsmall Limited consists of a professional team with an average of over 10 year of expertise in the distribution of electronic components. Based in Hongkong, we have already established firm and mutual-benefit business relationships with customers from,Europe,America and south Asia,supplying obsolete and hard-to-find components to meet their specific needs.

With the principle of “Quality Parts,Customers Priority,Honest Operation,and Considerate Service”,our business mainly focus on the distribution of electronic components. Line cards we deal with include Microchip,ALPS,ROHM,Xilinx,Pulse,ON,Everlight and Freescale. Main products comprise IC,Modules,Potentiometer,IC Socket,Relay,Connector.Our parts cover such applications as commercial,industrial, and automotives areas.

We are looking forward to setting up business relationship with you and hope to provide you with the best service and solution. Let us make a better world for our industry!



Contact us

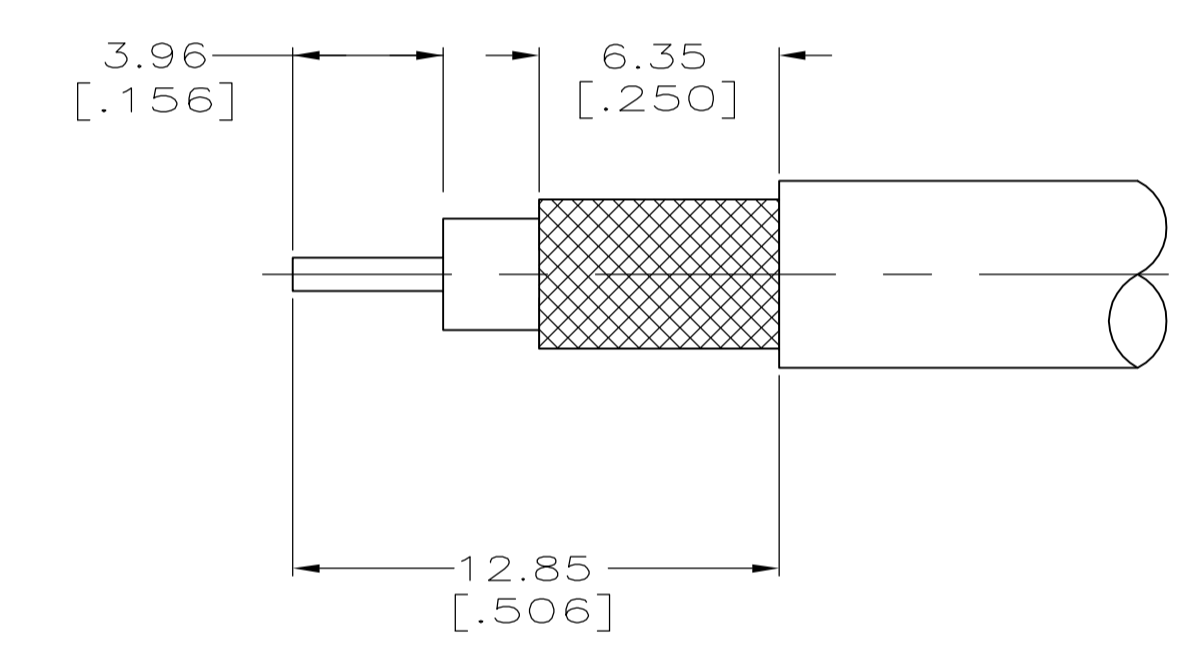
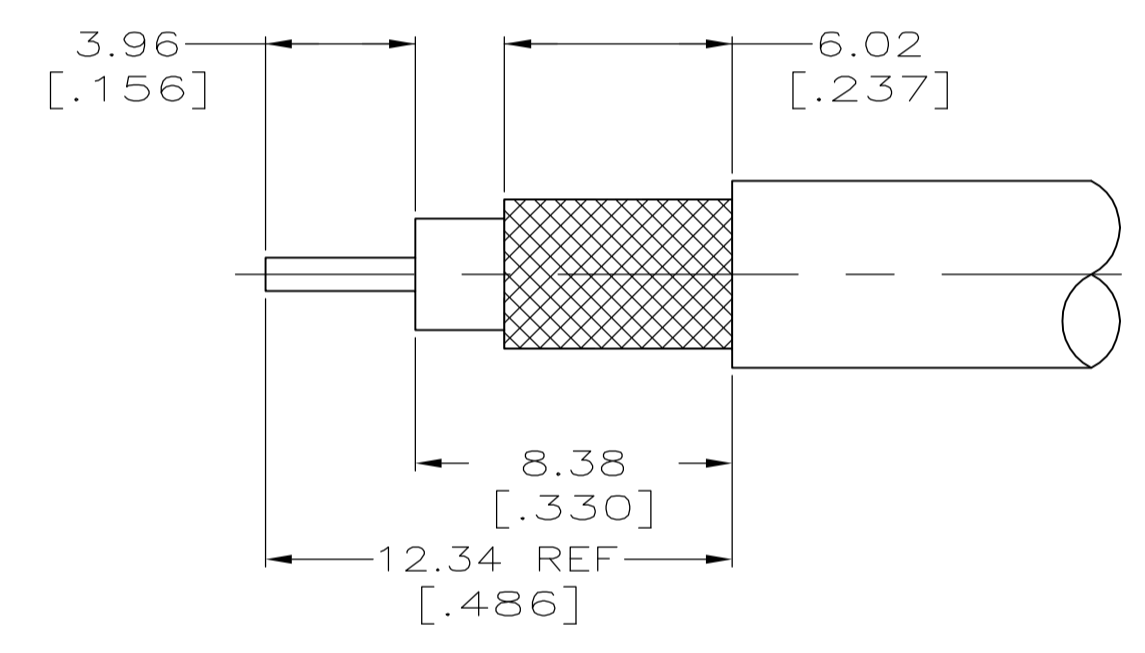
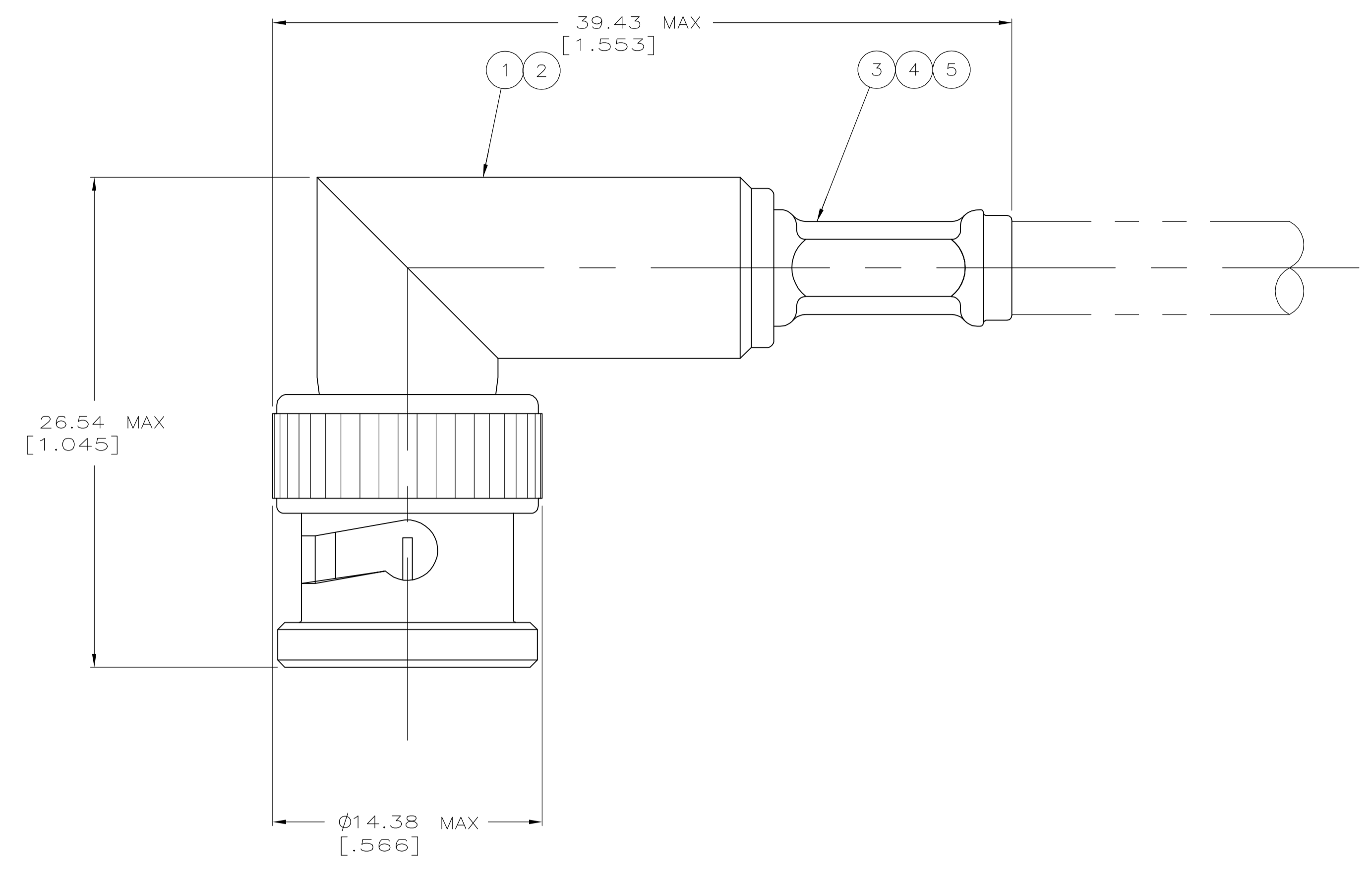
Tel: +86-755-8981 8866 Fax: +86-755-8427 6832

Email & Skype: info@chipsmall.com Web: www.chipsmall.com

Address: A1208, Overseas Decoration Building, #122 Zhenhua RD., Futian, Shenzhen, China



△ USE WITH HAND TOOL 220190-1
 2. SEE I.S. SHEET 9765



VIEW A

VIEW B

RECOMMENDED STRIP LENGTH

SUPERSEDED BY 5413588-8	RG-179/U,179A/U,179B/U,187/U & 187A/U	A	1.07	[.042]	4.52	[.178]	852922-2	227194-2	1-222001-0	9-413658-0	1-413746-5	9-413947-1	9-413588-1
SUPERSEDED BY 5413588-2	RG-59/U,59A/U & 59B/U	A	1.07	[.042]	6.48	[.255]	852922-1	-	-	9-221132-1	413746-5	9-413947-0	9-413588-0
	AT&T 735A	A	1.07	[.042]	4.52	[.178]	852922-2	-	-	9-413658-2	1-413746-0	413947-2	1-413588-0
OBSOLETE	RG-59 TYPE WITH .031 DIA CENTER CONDUCTOR,BELDEN 9240,9259 & 9266	A	1.07	[.042]	6.48	[.255]	852922-1	-	-	9-221132-1	2-413746-0	413947-1	413588-9
	RG-179/U,179A/U,179B/U,187/U & 187A/U	A	1.07	[.042]	4.52	[.178]	852922-2	227194-2	1-222001-0	9-413658-0	1-413746-5	413947-2	413588-8
OBSOLETE	AT&T 734A	A	1.07	[.042]	6.48	[.255]	852922-1	-	-	9-221132-3	2-413746-0	413947-4	413588-7
OBSOLETE	TIMES RG-59/U WITH DOUBLE BRAID & .270 OD JACKET	A	1.07	[.042]	8.23	[.324]	852922-3	-	-	9-221132-2	413746-5	413947-1	413588-6
OBSOLETE	BELDEN 8281,9231 & AT&T 728	B	1.07	[.042]	8.23	[.324]	852922-3	-	-	9-221132-2	2-413746-0	413947-3	413588-5
	AT&T KS 19224 L2	A	1.07	[.042]	4.52	[.178]	852922-2	227194-2	1-222001-0	9-413658-2	1-413746-5	413947-2	413588-4
OBSOLETE	BELDEN 8218	A	1.07	[.042]	4.52	[.178]	852922-2	-	-	9-221132-6	1-413746-0	413947-2	413588-3
OBSOLETE	RG-59/U,59A/U & 59B/U	A	1.07	[.042]	6.48	[.255]	852922-1	-	-	9-221132-1	413746-5	413947-1	413588-2
OBSOLETE	BELDEN 88241	A	1.07	[.042]	6.48	[.255]	852922-1	-	-	9-413658-3	413746-5	413947-1	413588-1

FOR USE WITH CABLE	VIEW	CONTACT CRIMP (SQUARE)	FERRULE CRIMP (HEX)	DIE SET △	⑤ TUBING, PLASTIC QTY=1	④ TUBING, METAL QTY=1	③ FERRULE QTY=1	② CONTACT QTY=1	① PLUG ASSY QTY=1	PART NUMBER
--------------------	------	------------------------	---------------------	-----------	-------------------------	-----------------------	-----------------	-----------------	-------------------	-------------

THIS DRAWING IS A CONTROLLED DOCUMENT.

DIMENSIONS: INCHES	TOLERANCES UNLESS OTHERWISE SPECIFIED:	0 PLC ± -	1 PLC ± -	2 PLC ± -	3 PLC ± 41[016]	4 PLC ± -	ANGLES ± -	FINISH -
--------------------	--	-----------	-----------	-----------	-----------------	-----------	------------	----------

MATERIAL: -

THIS DRAWING IS A CONTROLLED DOCUMENT. DIN J. KURTZ 9/12/90. CHK R. E. RUTH 9/20/90. APVD -

tyco Electronics Tyco Electronics Corporation Harrisburg, Pa 17105-3608

PRODUCT SPEC: PLUG, RIGHT ANGLE, HEX CRIMP, 75 OHM, BNC

APPLICATION SPEC: -

SIZE: A1. CASE CODE: 00779. DRAWING NO: 413588. RESTRICTED TO: -

WEIGHT: -

CUSTOMER DRAWING. SCALE: 5:1. SHEET: 1 OF 1. REV: M1