



Chipsmall Limited consists of a professional team with an average of over 10 year of expertise in the distribution of electronic components. Based in Hongkong, we have already established firm and mutual-benefit business relationships with customers from,Europe,America and south Asia,supplying obsolete and hard-to-find components to meet their specific needs.

With the principle of “Quality Parts,Customers Priority,Honest Operation,and Considerate Service”,our business mainly focus on the distribution of electronic components. Line cards we deal with include Microchip,ALPS,ROHM,Xilinx,Pulse,ON,Everlight and Freescale. Main products comprise IC,Modules,Potentiometer,IC Socket,Relay,Connector.Our parts cover such applications as commercial,industrial, and automotives areas.

We are looking forward to setting up business relationship with you and hope to provide you with the best service and solution. Let us make a better world for our industry!



Contact us

Tel: +86-755-8981 8866 Fax: +86-755-8427 6832

Email & Skype: info@chipsmall.com Web: www.chipsmall.com

Address: A1208, Overseas Decoration Building, #122 Zhenhua RD., Futian, Shenzhen, China



THIS DRAWING IS UNPUBLISHED. RELEASED FOR PUBLICATION
 © COPYRIGHT BY TYCO ELECTRONICS CORPORATION. ALL RIGHTS RESERVED.

LOC	DIST	REVISIONS					
		P	LTR	DESCRIPTION	DATE	DWN	APVD
AJ	16						
		U1		REVISED PER ECO-06-018704	18SEP2006	MC	JH
		U2		REVISED PER ECO-09-021826	12SEP09	KK	AEG

1 DIELECTRIC : DELRIN/POLYMETHYLPENTENE
 PLUG CENTER CONTACT : BRASS
 PLUG OUTER CONTACT : BRASS
 SHELL : ZINC

2 GOLD PLATE, .000015 MINIMUM THICK
 OVER .000050 MINIMUM THICK NICKEL.

3 NICKEL PLATE .000120 MINIMUM THICK

5. INTERMATEABLE WITH PRODUCT PER MIL-C-39012

6 GOLD PLATE, .000030 MINIMUM THICK
 OVER .000050 MINIMUM THICK NICKEL.

7 SILVER PLATE .000200 MINIMUM THICK
 OVER .000050 MINIMUM THICK NICKEL.

8 PHOSPHOR BRONZE

9 BERYLLIUM COPPER

10 SEE SEPARATE RESTRICTED CUSTOMER DRAWINGS

11 SPECIAL PACKAGING: INDIVIDUALLY PACKAGED
 FOR NETCON.

12 BULK PACKAGED: 25 PCS PER BAG

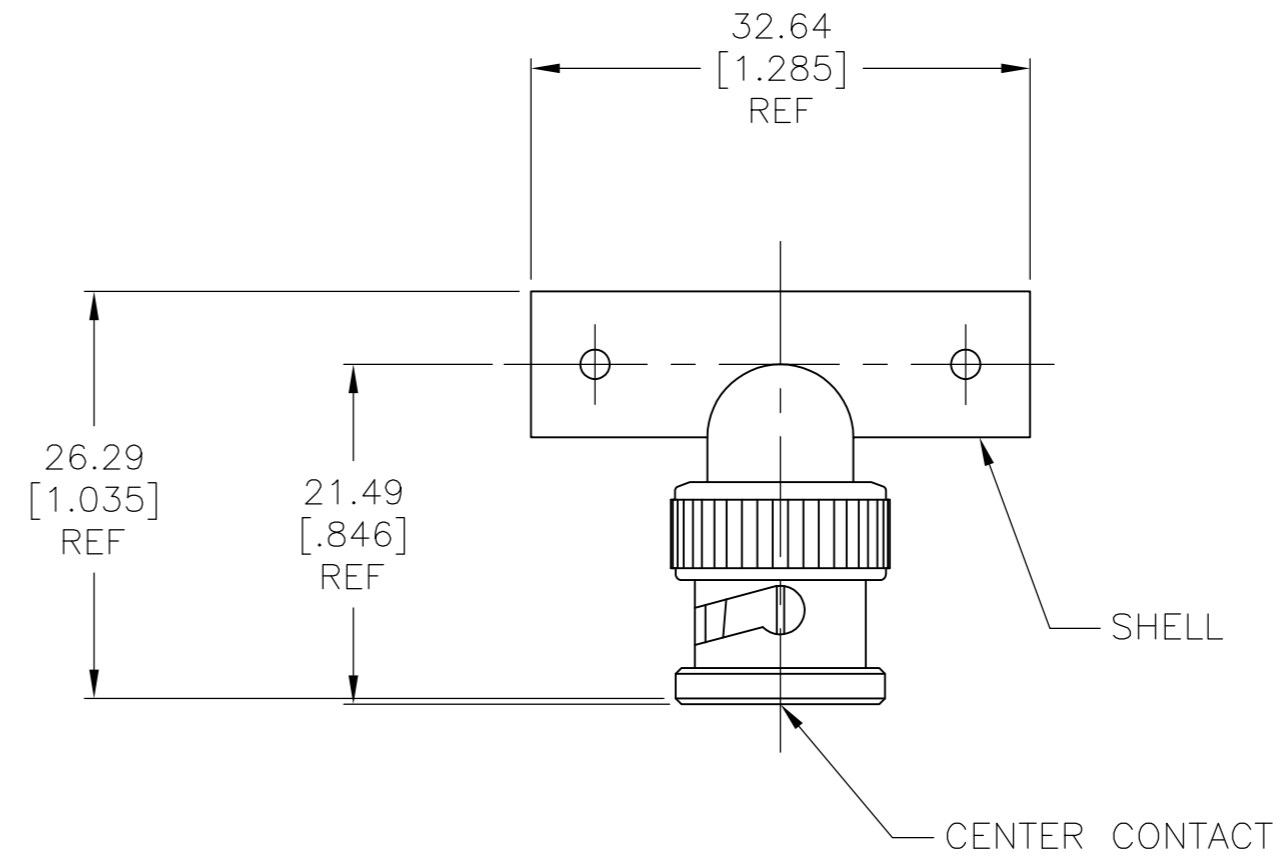
13 BULK PACKAGED: 100 PCS PER BAG

14 BULK PACKAGED: 5 PCS PER BLISTER PACK

15 BULK PACKAGED: 5 PCS PER BOX

16 INDIVIDUALLY PACKAGED

17 OBSOLETE PARTS: OBSOLETE CIS STREAMLINING PER D.RENAUD/D.SINISI



14	SUPERCEDED BY 413592-2	8	3	2	1-413592-7
10	OBSOLETE	-	-	-	1-413592-6
15	SUPERCEDED	8	3	7	1-413592-5
13, 17	OBSOLETE	8	3	6	1-413592-4
		-	-	-	-
		-	-	-	-
16, 17	OBSOLETE	9	3	7	1-413592-1
17	OBSOLETE	8	3	7	1-413592-0
17	SUPERCEDED BY 5413592-9	8	3	2	413592-9
13	OBSOLETE	9	3	7	413592-8
13	OBSOLETE	9	3	6	413592-6
13	OBSOLETE	8	3	7	413592-4
13	OBSOLETE	8	3	2	413592-2

MATERIAL: JACK CENTER CONTACT	SHELL PLATING	CONTACT PLATING	PART NO
-------------------------------	---------------	-----------------	---------

THIS DRAWING IS A CONTROLLED DOCUMENT.		DWN J. LIPPERT 6-27-90	Tyco Electronics Corporation Harrisburg, Pa 17105-3608	
DIMENSIONS: mm [INCHES]		CHK D.LAMAN 6-27-90	NAME T-ADAPTER SERIES BNC	
TOLERANCES UNLESS OTHERWISE SPECIFIED:		APVD D.LAMAN 6-27-90	PRODUCT SPEC 108-12090	
0 PLC ± -		APPLICATION SPEC -	SIZE A2	CAGE CODE 00779
1 PLC ± -		WEIGHT -	DRAWING NO C=413592	
2 PLC ± -			RESTRICTED TO -	
3 PLC ± -			SCALE 2:1 SHEET 1 OF 1 REV U2	
4 PLC ± -				
ANGLES ± -				
MATERIAL 1 8 9	FINISH 2 3 6 7	CUSTOMER DRAWING		