



Chipsmall Limited consists of a professional team with an average of over 10 year of expertise in the distribution of electronic components. Based in Hongkong, we have already established firm and mutual-benefit business relationships with customers from,Europe,America and south Asia,supplying obsolete and hard-to-find components to meet their specific needs.

With the principle of “Quality Parts,Customers Priority,Honest Operation,and Considerate Service”,our business mainly focus on the distribution of electronic components. Line cards we deal with include Microchip,ALPS,ROHM,Xilinx,Pulse,ON,Everlight and Freescale. Main products comprise IC,Modules,Potentiometer,IC Socket,Relay,Connector.Our parts cover such applications as commercial,industrial, and automotives areas.

We are looking forward to setting up business relationship with you and hope to provide you with the best service and solution. Let us make a better world for our industry!



Contact us

Tel: +86-755-8981 8866 Fax: +86-755-8427 6832

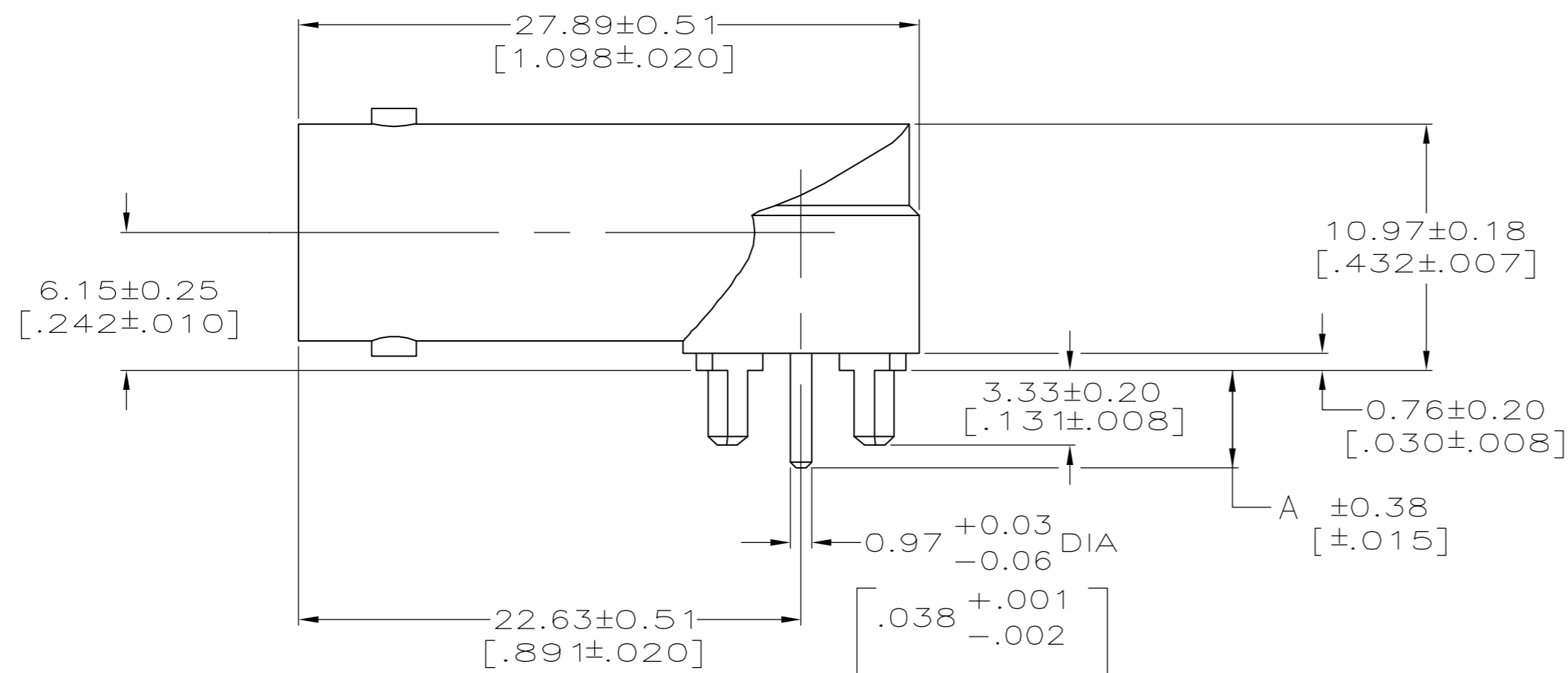
Email & Skype: info@chipsmall.com Web: www.chipsmall.com

Address: A1208, Overseas Decoration Building, #122 Zhenhua RD., Futian, Shenzhen, China

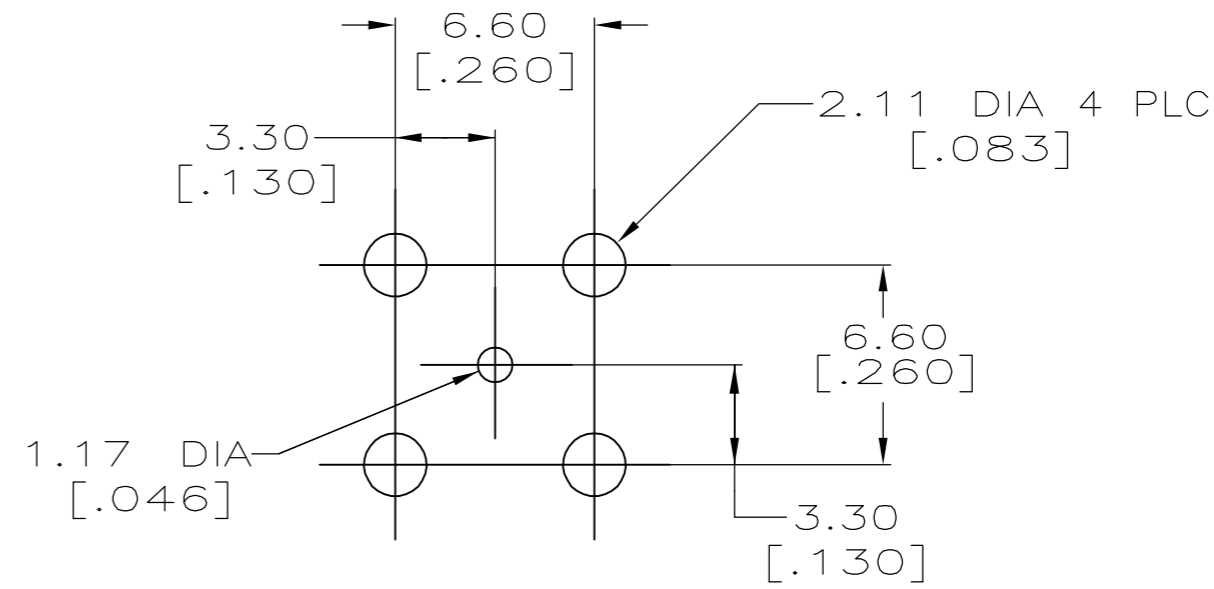
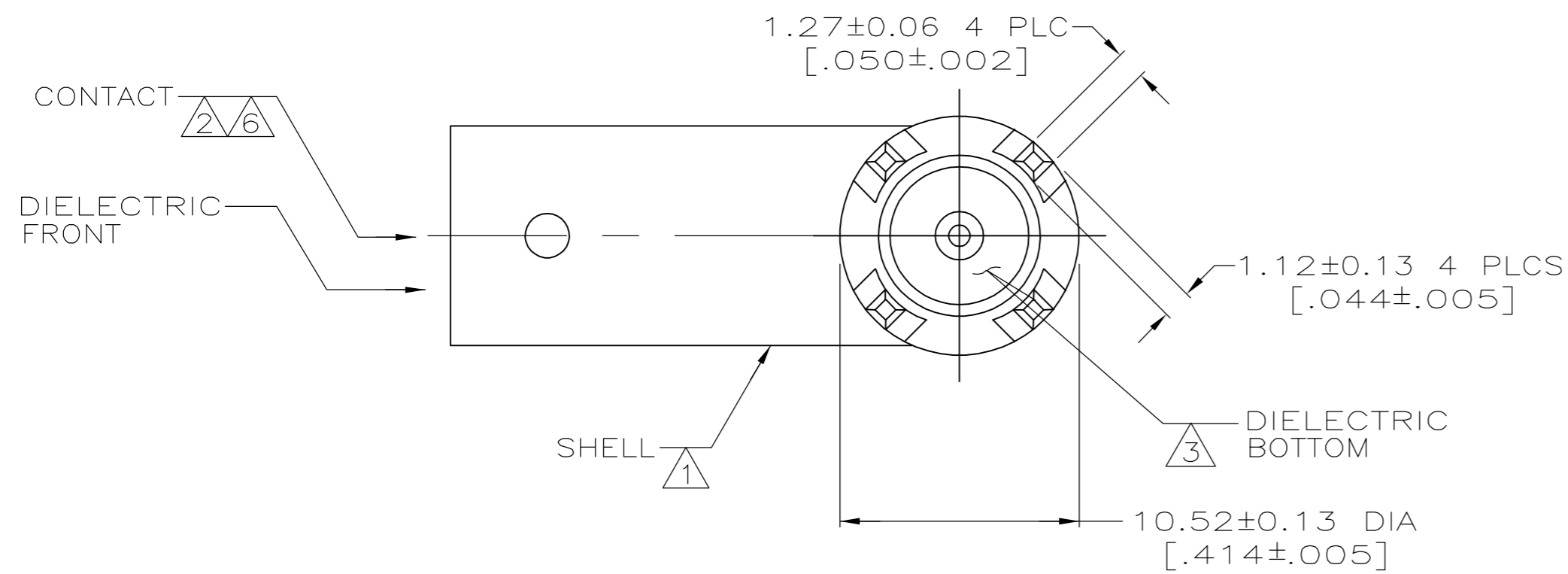


THIS DRAWING IS UNPUBLISHED. RELEASED FOR PUBLICATION
 © COPYRIGHT BY TYCO ELECTRONICS CORPORATION. ALL RIGHTS RESERVED.

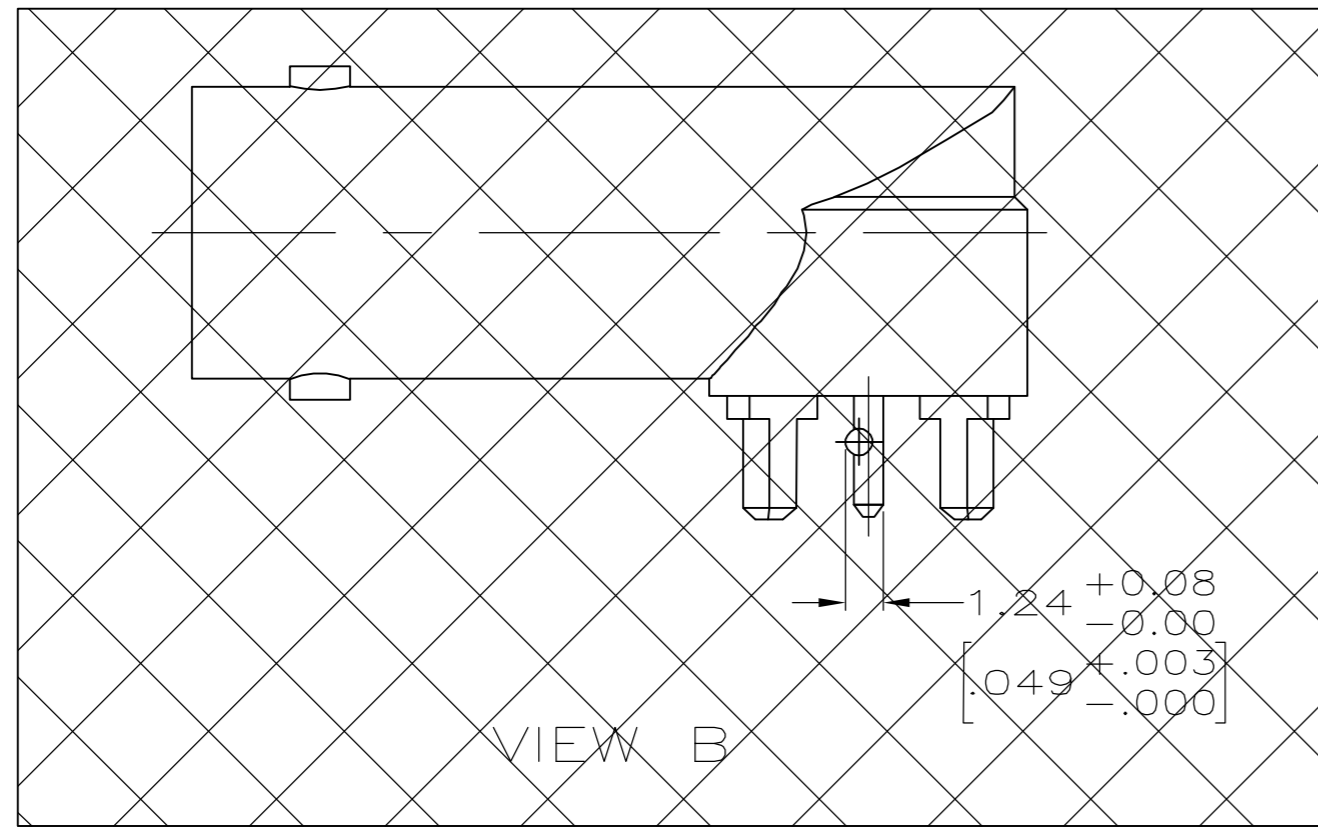
LOC	DIST	REVISIONS			
P	LTR	DESCRIPTION	DATE	DWN	APVD
AJ	00	R	REVISED PER ECO 06-024121	1/29/2007	DW JL



- ① ZINC PER QQ-Z-363.
- ② BERYLLIUM COPPER PER QQ-C-530.
- ③ PTFE PER MIL-P-19468.
- ④ NICKEL PLATE PER QQ-N-290, 3.81μm [.000150] MINIMUM THICK.
- ⑤ TIN-LEAD PLATE PER ASTM-B-545, 3.04μm [.000120] MINIMUM THICK OVER NICKEL PLATE PER MIL-C-26074, 7.62μm [.000300] MINIMUM THICK.
- ⑥ GOLD PLATE PER MIL-G-45204, 1.27μm [.000050] MINIMUM THICK.
- ⑦ INTERFACE PER MIL-C-39012.
- ⑧ POLYMETHYLPENTENE, GENERAL PURPOSE



PCB CONFIGURATION



OBSOLETE	3.33 [.131]	④	③	B	413631-5
OBSOLETE	3.33 [.131]	⑤	③	B	413631-4
OBSOLETE	3.33 [.131]	④	⑧	-	413631-3
	4.34 [.171]	⑤	③	-	413631-2
	4.34 [.171]	④	⑧	-	413631-1
	A	FINISH: SHELL	MATERIAL: DIELECTRIC, FRONT	VIEW	PART NUMBER

THIS DRAWING IS A CONTROLLED DOCUMENT.		DWN	J. LIPPERT	7-1-91	Tyco Electronics Corporation Harrisburg, PA 17105-3608
DIMENSIONS: INCHES		CHK	A. GABANY	8-5-91	
TOLERANCES UNLESS OTHERWISE SPECIFIED:		APVD	A. GABANY	8-5-91	NAME JACK, RIGHT ANGLE, PCB, 50 OHM, SERIES BNC
0 PLC ± -		PRODUCT SPEC	108-12078	APPLICATION SPEC	
1 PLC ± -		MATERIAL		WEIGHT	SIZE
2 PLC ± 0.08 [.003]		SEE NOTES 1-3		SEE NOTES 4-6	CAGE CODE
3 PLC ± -		SEE NOTES 1-3		SEE NOTES 4-6	DRAWING NO
4 PLC ± -		SEE NOTES 1-3		SEE NOTES 4-6	RESTRICTED TO
ANGLES ± -		SEE NOTES 1-3		SEE NOTES 4-6	SCALE
FINISH		SEE NOTES 1-3		SEE NOTES 4-6	SHEET
MATERIAL		SEE NOTES 1-3		SEE NOTES 4-6	REV
SEE NOTES 1-3		SEE NOTES 1-3		SEE NOTES 4-6	CUSTOMER DRAWING
SEE NOTES 1-3		SEE NOTES 1-3		SEE NOTES 4-6	SCALE 4:1
SEE NOTES 1-3		SEE NOTES 1-3		SEE NOTES 4-6	SHEET 1 of 1
SEE NOTES 1-3		SEE NOTES 1-3		SEE NOTES 4-6	REV R