



Chipsmall Limited consists of a professional team with an average of over 10 year of expertise in the distribution of electronic components. Based in Hongkong, we have already established firm and mutual-benefit business relationships with customers from,Europe,America and south Asia,supplying obsolete and hard-to-find components to meet their specific needs.

With the principle of “Quality Parts,Customers Priority,Honest Operation,and Considerate Service”,our business mainly focus on the distribution of electronic components. Line cards we deal with include Microchip,ALPS,ROHM,Xilinx,Pulse,ON,Everlight and Freescale. Main products comprise IC,Modules,Potentiometer,IC Socket,Relay,Connector.Our parts cover such applications as commercial,industrial, and automotives areas.

We are looking forward to setting up business relationship with you and hope to provide you with the best service and solution. Let us make a better world for our industry!



Contact us

Tel: +86-755-8981 8866 Fax: +86-755-8427 6832

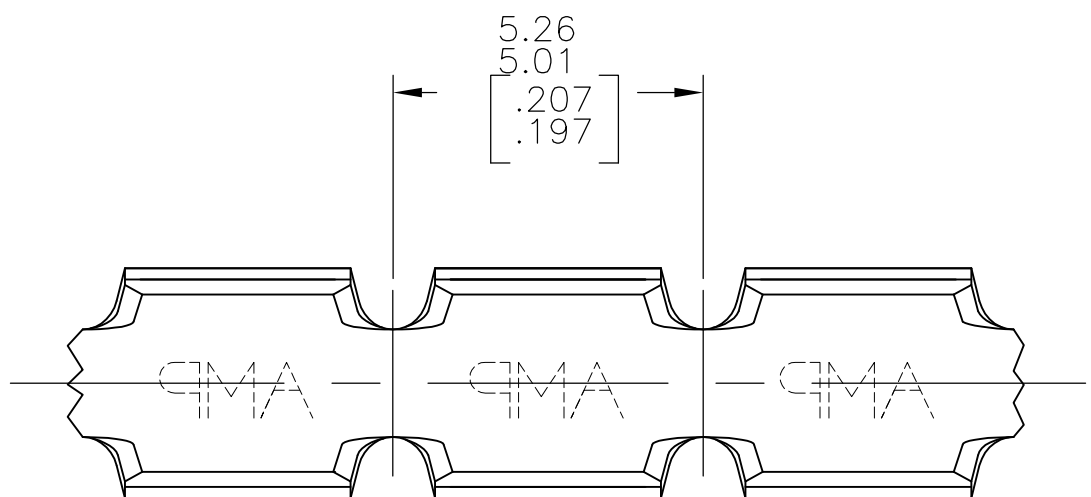
Email & Skype: info@chipsmall.com Web: www.chipsmall.com

Address: A1208, Overseas Decoration Building, #122 Zhenhua RD., Futian, Shenzhen, China

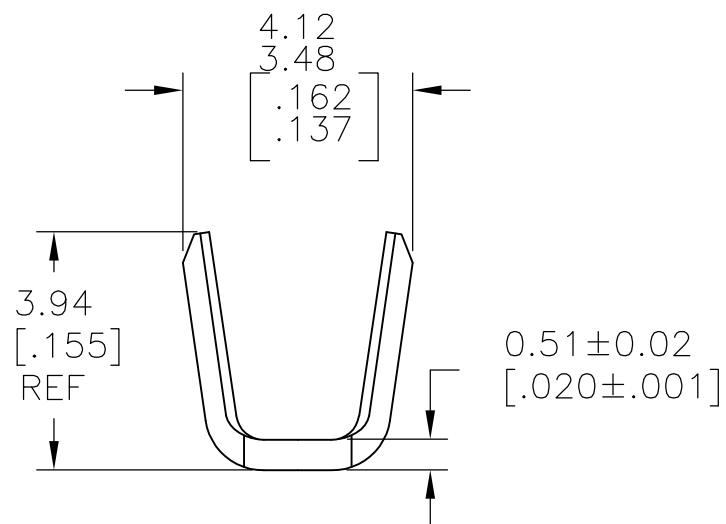
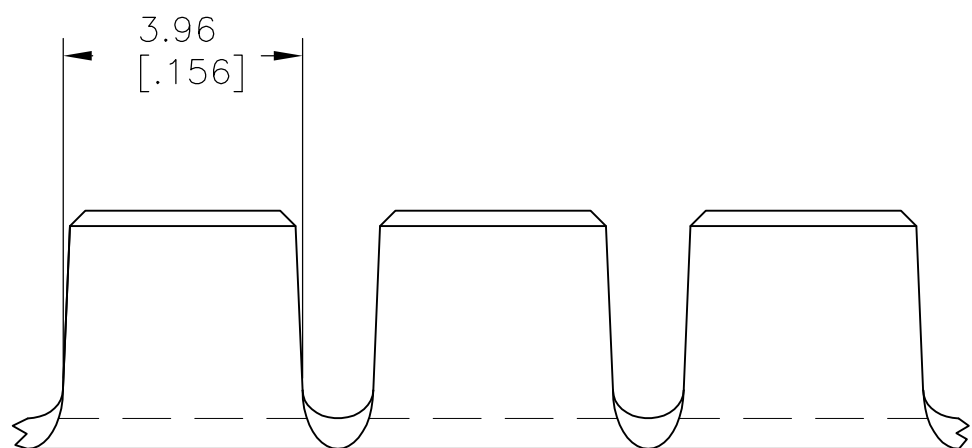


THIS DRAWING IS UNPUBLISHED. RELEASED FOR PUBLICATION
 © COPYRIGHT BY TYCO ELECTRONICS CORPORATION. ALL INTERNATIONAL RIGHTS RESERVED.

| LOC | DIST | REVISIONS | | | |
|-----|------|-------------|---------------------------|---------|--------|
| P | LTR | DESCRIPTION | DATE | DWN | APVD |
| AF | 50 | R2 | REVISED PER ECR-11-001036 | 21JAN11 | HMR GJ |



- 1 PRODUCT SUPPLIED CONTINUOUS ON REELS. BREAKS MAY BE PRESENT.
- 2 WIRE RANGE: 1.27-2.38mm²[2500-4700 CMA].
- 3 CRIMP WIDTH: 3.05[.120] F TYPE. CRIMP HEIGHT IN INCHES (±.002)=(TOTAL CMA OF WIRES+12240)/220000.



41397
PART NO

| | | | | | |
|----------------------------------------|----------------------------------------|-------------------------------|-----------------------------------------------------------|-----------|--------------|
| THIS DRAWING IS A CONTROLLED DOCUMENT. | | DWN RAGHAVENDRA 02JUL07 | Tyco Electronics Corporation Harrisburg, PA 17105-3608 | | |
| DIMENSIONS: mm [INCHES] | TOLERANCES UNLESS OTHERWISE SPECIFIED: | CHK G.D.PORTA 02JUL07 | NAME | | |
| | 0 PLC ± - | APVD G.D.PORTA 02JUL07 | PRODUCT SPEC | | |
| | 1 PLC ± - | PRODUCT SPEC | APPLICATION SPEC | | |
| MATERIAL | FINISH | 114-2088 | SIZE | CAGE CODE | DRAWING NO |
| TEMP 3 STEEL | NICKEL | WEIGHT - | A3 | 00779 | C-41397 |
| CUSTOMER DRAWING | | | RESTRICTED TO | SCALE 8:1 | SHEET 1 OF 1 |
| | | | | | REV R2 |