



Chipsmall Limited consists of a professional team with an average of over 10 year of expertise in the distribution of electronic components. Based in Hongkong, we have already established firm and mutual-benefit business relationships with customers from,Europe,America and south Asia,supplying obsolete and hard-to-find components to meet their specific needs.

With the principle of “Quality Parts,Customers Priority,Honest Operation,and Considerate Service”,our business mainly focus on the distribution of electronic components. Line cards we deal with include Microchip,ALPS,ROHM,Xilinx,Pulse,ON,Everlight and Freescale. Main products comprise IC,Modules,Potentiometer,IC Socket,Relay,Connector.Our parts cover such applications as commercial,industrial, and automotives areas.

We are looking forward to setting up business relationship with you and hope to provide you with the best service and solution. Let us make a better world for our industry!



Contact us

Tel: +86-755-8981 8866 Fax: +86-755-8427 6832

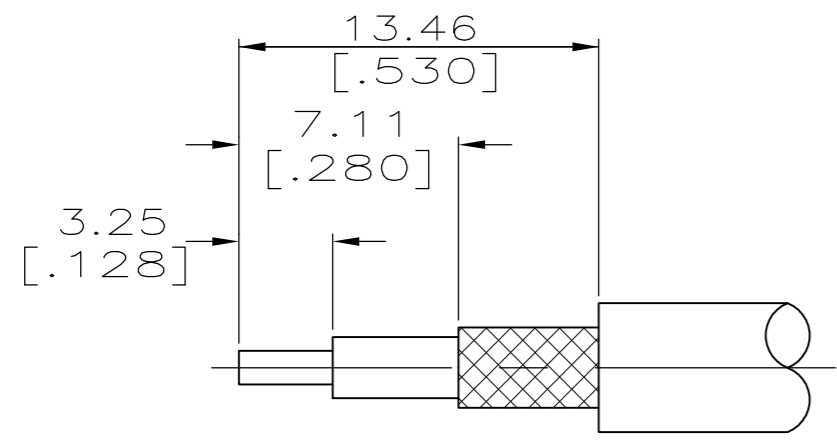
Email & Skype: info@chipsmall.com Web: www.chipsmall.com

Address: A1208, Overseas Decoration Building, #122 Zhenhua RD., Futian, Shenzhen, China

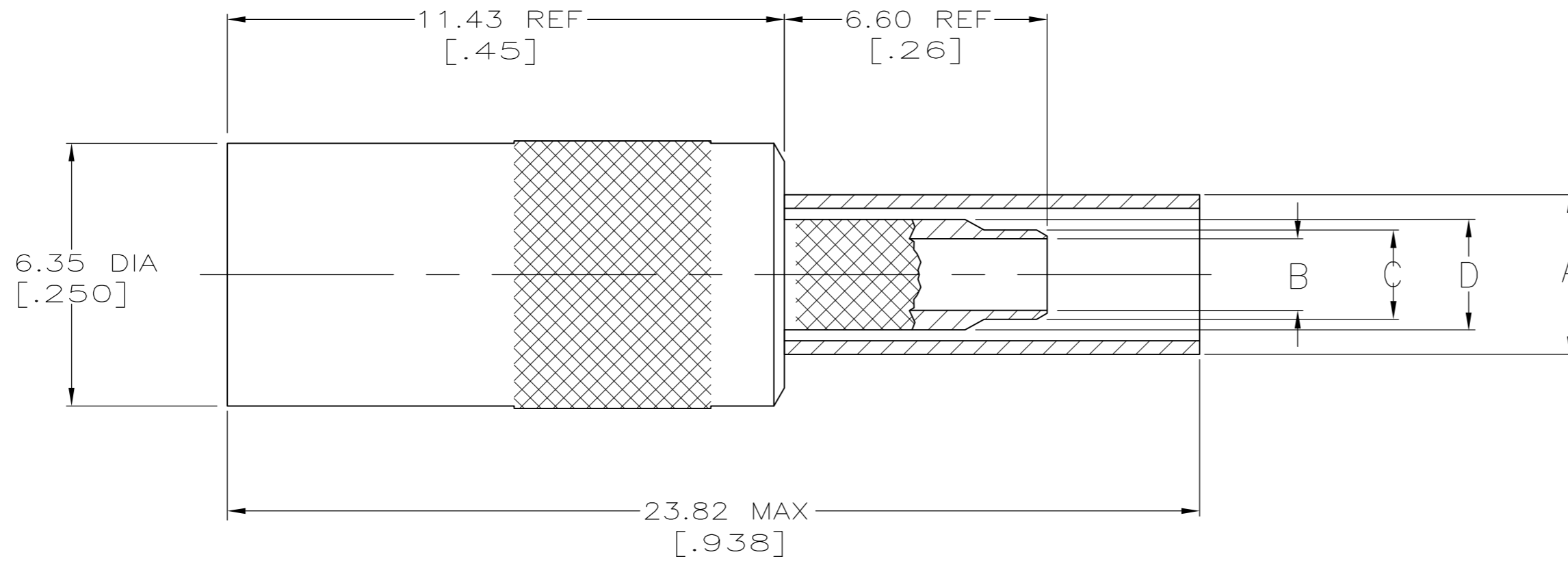


THIS DRAWING IS UNPUBLISHED. RELEASED FOR PUBLICATION
 © COPYRIGHT - By - ALL RIGHTS RESERVED.

LOC	DIST	REVISIONS					
AJ	16	P	LTR	DESCRIPTION	DATE	DWN	APVD
		M2		ECR-12-005726	27MAR12	RK	MY



RECOMMENDED STRIP LENGTHS
SCALE NTS



- MATERIALS:
 BODY...BRASS PER QQ-B-626
 INNER AND OUTER CONTACTS...
 BERYLLIUM COPPER PER QQ-C-533
 DIELECTRIC...PTFE PER LP-403
- FINISH:
 BODY,CENTER AND OUTER CONTACTS...
 GOLD PER MIL-G-45204 OVER
 NICKEL PER QQ-N-290
- FINISH:
 BODY...NICKEL PER QQ-N-290 OVER
 COPPER PER MIL-C-14550
 CENTER AND OUTER CONTACTS...
 GOLD PER MIL-G-45204 OVER
 NICKEL PER QQ-N-290
- FINISH:
 BODY AND OUTER CONTACT...NICKEL
 PER QQ-N-290 OVER COPPER PER
 MIL-C-14550
 CENTER CONTACT...GOLD PER
 MIL-G-45204 OVER NICKEL PER
 QQ-N-290
- INTERFACE PER MIL-C-39012
- SEE I.S. SHEET 2987-12

	B	58483-1	.128	HX4-1637	4	K699	2.64 [.104]	2.16 [.085]	1.70 [.067]	3.86 [.152]	4	RG 179,161,187	1-413985-2
	B	58483-1	.128	HX4-1637	4	K699	2.64 [.104]	2.16 [.085]	1.70 [.067]	3.86 [.152]	3	RG 179,161,187	1-413985-1
OBSOLETE	B	58483-1	.128	HX4-1637	4	K699	2.64 [.104]	2.16 [.085]	1.70 [.067]	3.86 [.152]	2	RG 179,161,187	1-413985-0
	A	58483-1	.105	HX4-1637	4	K699	1.98 [.076]	1.37 [.055]	0.96 [.040]	3.86 [.152]	4	RG 178,196	413985-9
	C	58483-1	.151	HX4-1637	4	K699	2.64 [.104]	2.16 [.085]	1.70 [.067]	4.54 [.179]	4	RG 174,188,316(ALL DBL SHIELDED)	413985-8
	B	58483-1	.128	HX4-1637	4	K699	2.64 [.104]	2.16 [.085]	1.70 [.067]	3.86 [.152]	4	RG 174,188,316	413985-7
OBSOLETE	A	58483-1	.105	HX4-1637	4	K699	1.98 [.076]	1.37 [.055]	0.96 [.040]	3.86 [.152]	3	RG 178,196	413985-6
	A	58483-1	.105	HX4-1637	4	K699	1.98 [.076]	1.37 [.055]	0.96 [.040]	3.86 [.152]	2	RG 178,196	413985-5
	C	58483-1	.151	HX4-1637	4	K699	2.64 [.104]	2.16 [.085]	1.70 [.067]	4.54 [.179]	3	RG 174,188,316(ALL DBL SHIELDED)	413985-4
	B	58483-1	.128	HX4-1637	4	K699	2.64 [.104]	2.16 [.085]	1.70 [.067]	3.86 [.152]	3	RG 174,188,316	413985-3
	C	58483-1	.151	HX4-1637	4	K699	2.64 [.104]	2.16 [.085]	1.70 [.067]	4.54 [.179]	2	RG 174,188,316(ALL DBL SHIELDED)	413985-2
	B	58483-1	.128	HX4-1637	4	K699	2.64 [.104]	2.16 [.085]	1.70 [.067]	3.86 [.152]	2	RG 174,188,316	413985-1
	POSITION LETTER	TE DIE SET	HEX SIZE	DANIELS DIE SET	SELECTOR NUMBER	DANIELS POSITIONER	D DIA	C DIA	B DIA	A DIA	NOTES	CABLE	PART NO
	PRO-CRIMPER FOR BRAID CRIMP		M 22520/5-01 FOR BRAID CRIMP		M 22520/2-01 FOR CONTACT CRIMP								

TOOLING INFORMATION

THIS DRAWING IS A CONTROLLED DOCUMENT.

DIMENSIONS: mm [INCHES]	TOLERANCES UNLESS OTHERWISE SPECIFIED: 0 PLC ± - 1 PLC ± - 2 PLC ± 0.3 [.01] 3 PLC ± 0.13 [.005] 4 PLC ± - ANGLES ± - FINISH	DWN B. WERNER 16/MAY/94 CHK J. McLEOD 16/MAY/94 APVD J. McLEOD 16/MAY/94 PRODUCT SPEC APPLICATION SPEC WEIGHT -	NAME PLUG,STR CABLE,HEX CRIMP, OUTER FERRULE,CRIMP OR SOLDER CENTER CONTACT,SMB SIZE CAGE CODE DRAWING NO RESTRICTED TO A2 00779 C=413985 -
MATERIAL -	FINISH -	CUSTOMER DRAWING	SCALE 8:1 SHEET 1 of 1 REV M2