



Chipsmall Limited consists of a professional team with an average of over 10 year of expertise in the distribution of electronic components. Based in Hongkong, we have already established firm and mutual-benefit business relationships with customers from,Europe,America and south Asia,supplying obsolete and hard-to-find components to meet their specific needs.

With the principle of "Quality Parts,Customers Priority,Honest Operation,and Considerate Service",our business mainly focus on the distribution of electronic components. Line cards we deal with include Microchip,ALPS,ROHM,Xilinx,Pulse,ON,Everlight and Freescale. Main products comprise IC,Modules,Potentiometer,IC Socket,Relay,Connector.Our parts cover such applications as commercial,industrial, and automotives areas.

We are looking forward to setting up business relationship with you and hope to provide you with the best service and solution. Let us make a better world for our industry!



## Contact us

Tel: +86-755-8981 8866 Fax: +86-755-8427 6832

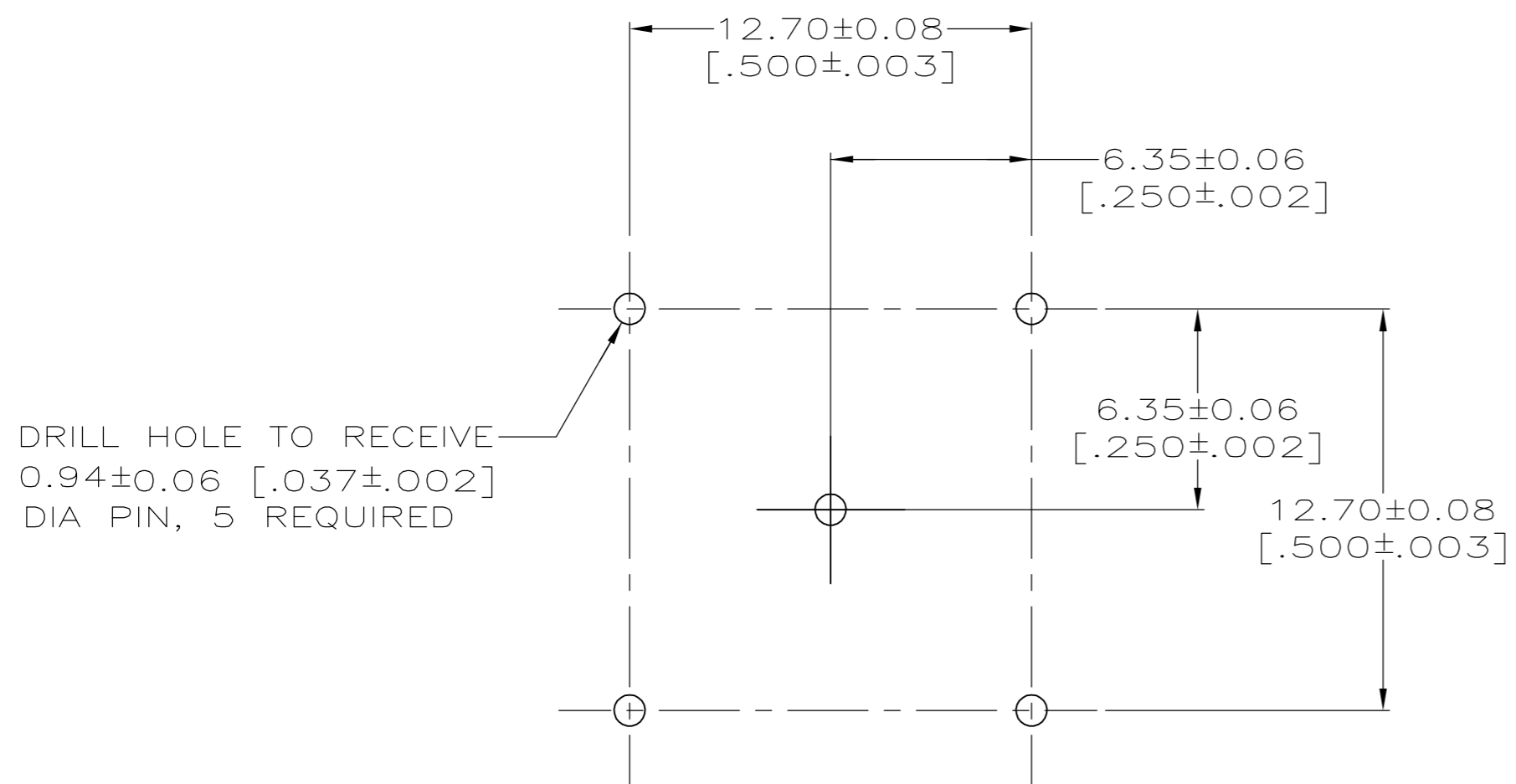
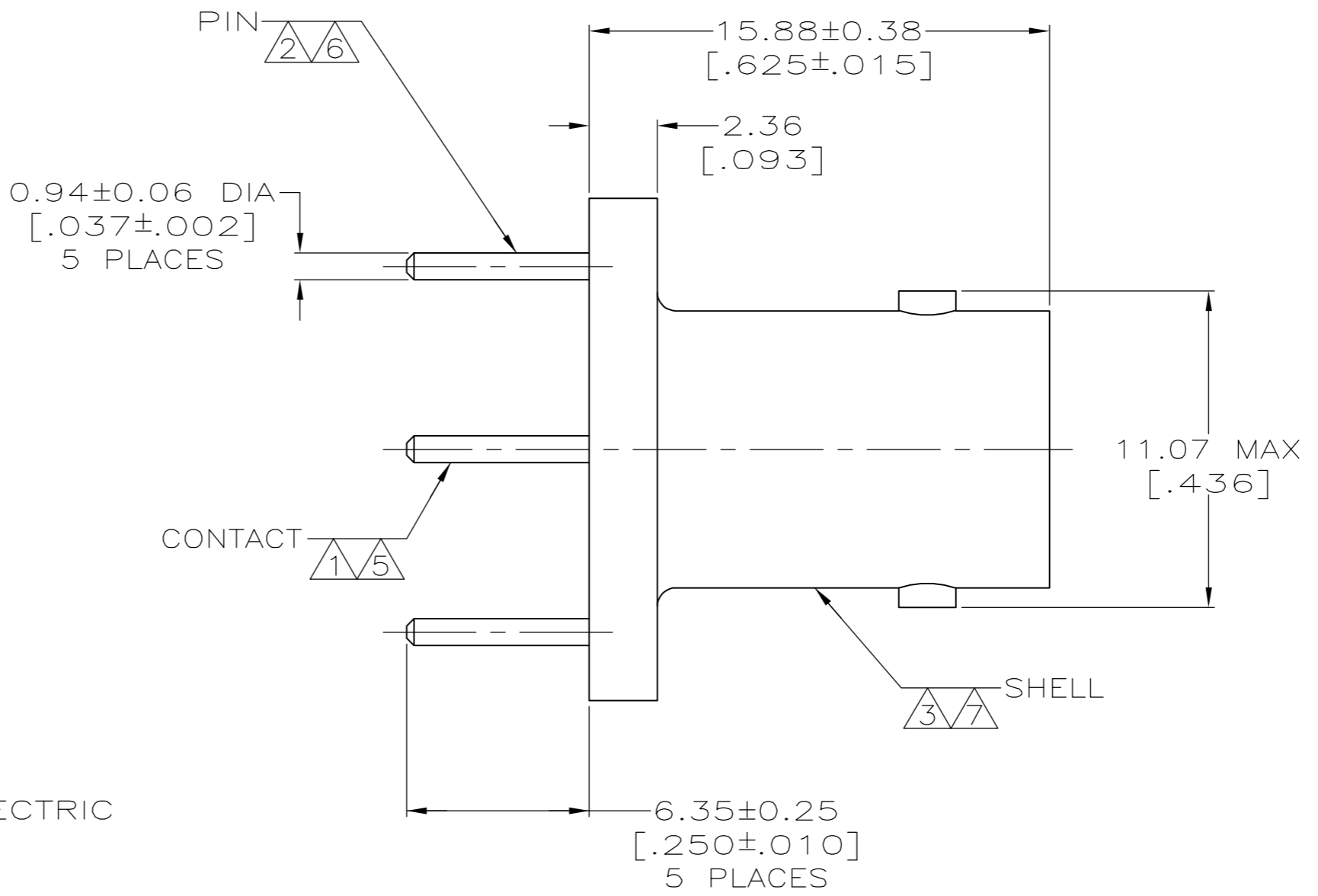
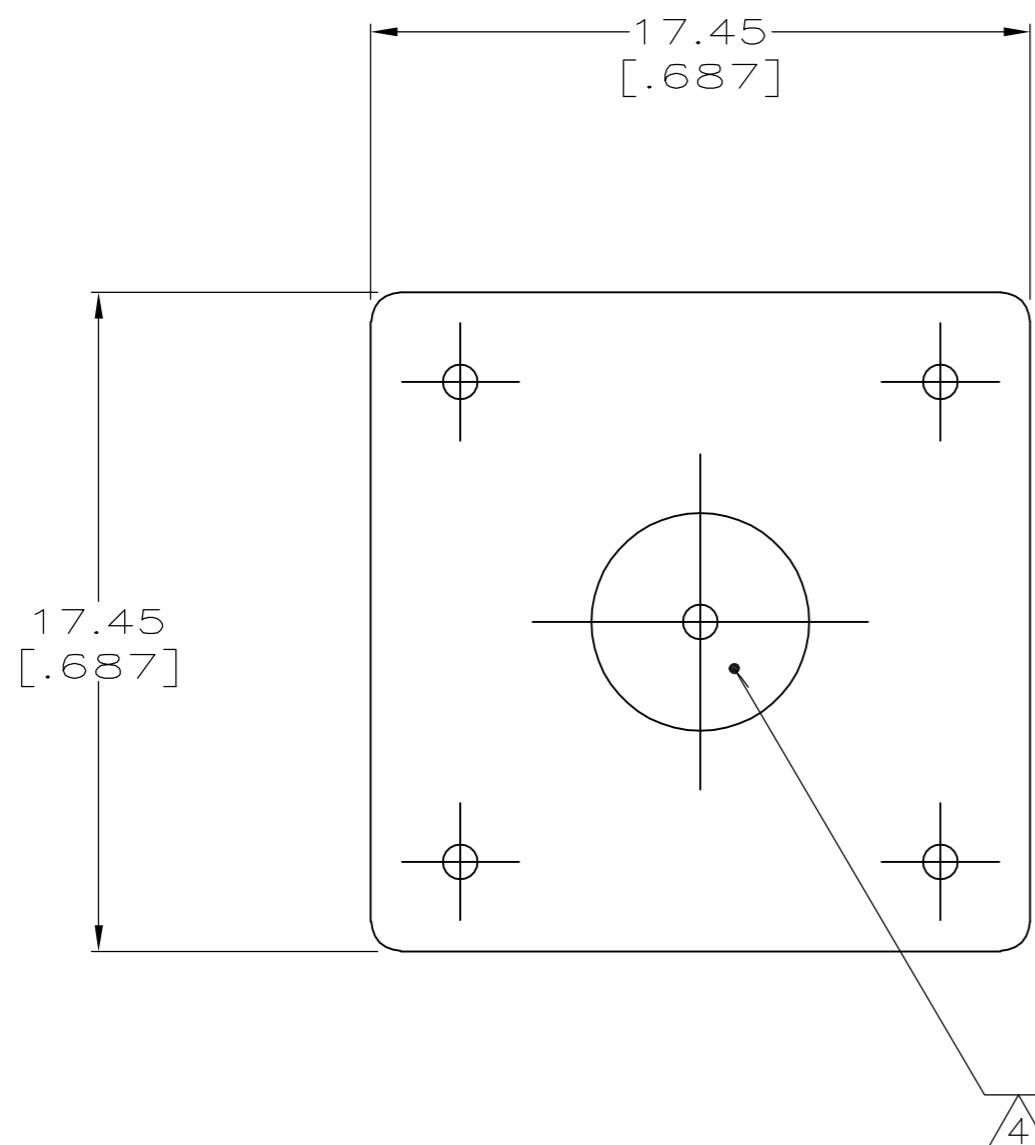
Email & Skype: info@chipsmall.com Web: www.chipsmall.com

Address: A1208, Overseas Decoration Building, #122 Zhenhua RD., Futian, Shenzhen, China



THIS DRAWING IS UNPUBLISHED. RELEASED FOR PUBLICATION  
 © COPYRIGHT BY TYCO ELECTRONICS CORPORATION. ALL RIGHTS RESERVED.

LOC	DIST	REVISIONS					
		P	LTR	DESCRIPTION	DATE	DWN	APVD
AJ	16	F		REVISED PER EC OS14-0499-04	11JULY05	BM	JL



SUGGESTED PCB CONFIGURATION

- 1 BERYLLIUM COPPER PER ASTM-B-197.
- 2 BRASS PER QQ-B-626.
- 3 ZINC PER QQ-Z-363.
- 4 PTFE PER MIL-P-19468.
- 5 SILVER PLATE PER QQ-S-365 2.54µm [.000100] MINIMUM THICK.
- 6 TIN PLATE PER ASTM-B-545 2.54µm [.000100] MINIMUM THICK.
- 7 NICKEL PLATE PER QQ-N-290 3.81µm [.000150] MINIMUM THICK.
- 8. SEE INSTRUCTION SHEET 408-9889.

413986-1  
PART NUMBER

THIS DRAWING IS A CONTROLLED DOCUMENT.		DWN J. LIPPERT 10-15-90	Tyco Electronics Corporation Harrisburg, Pa 17105-3608	
DIMENSIONS: INCHES		CHK R.E.RUTH 10-25-90		
TOLERANCES UNLESS OTHERWISE SPECIFIED:		APVD A. GABNY 10-25-90	NAME JACK, 75 OHM, VERTICAL, PCB, BNC	
0 PLC ± -		PRODUCT SPEC 108-12078	SIZE CAGE CODE DRAWING NO RESTRICTED TO	
1 PLC ± -		APPLICATION SPEC	A2 00779 C=413986	
2 PLC ± 0.20 [.008]		WEIGHT -	SCALE 5:1 SHEET 1 OF 1 REV F	
3 PLC ± -		CUSTOMER DRAWING		
4 PLC ± -				
ANGLES ± -				
FINISH				
MATERIAL SEE NOTES 1 THRU 4				
FINISH SEE NOTES 5 THRU 7				