



Chipsmall Limited consists of a professional team with an average of over 10 year of expertise in the distribution of electronic components. Based in Hongkong, we have already established firm and mutual-benefit business relationships with customers from,Europe,America and south Asia,supplying obsolete and hard-to-find components to meet their specific needs.

With the principle of "Quality Parts,Customers Priority,Honest Operation,and Considerate Service",our business mainly focus on the distribution of electronic components. Line cards we deal with include Microchip,ALPS,ROHM,Xilinx,Pulse,ON,Everlight and Freescale. Main products comprise IC,Modules,Potentiometer,IC Socket,Relay,Connector.Our parts cover such applications as commercial,industrial, and automotives areas.

We are looking forward to setting up business relationship with you and hope to provide you with the best service and solution. Let us make a better world for our industry!



## Contact us

Tel: +86-755-8981 8866 Fax: +86-755-8427 6832

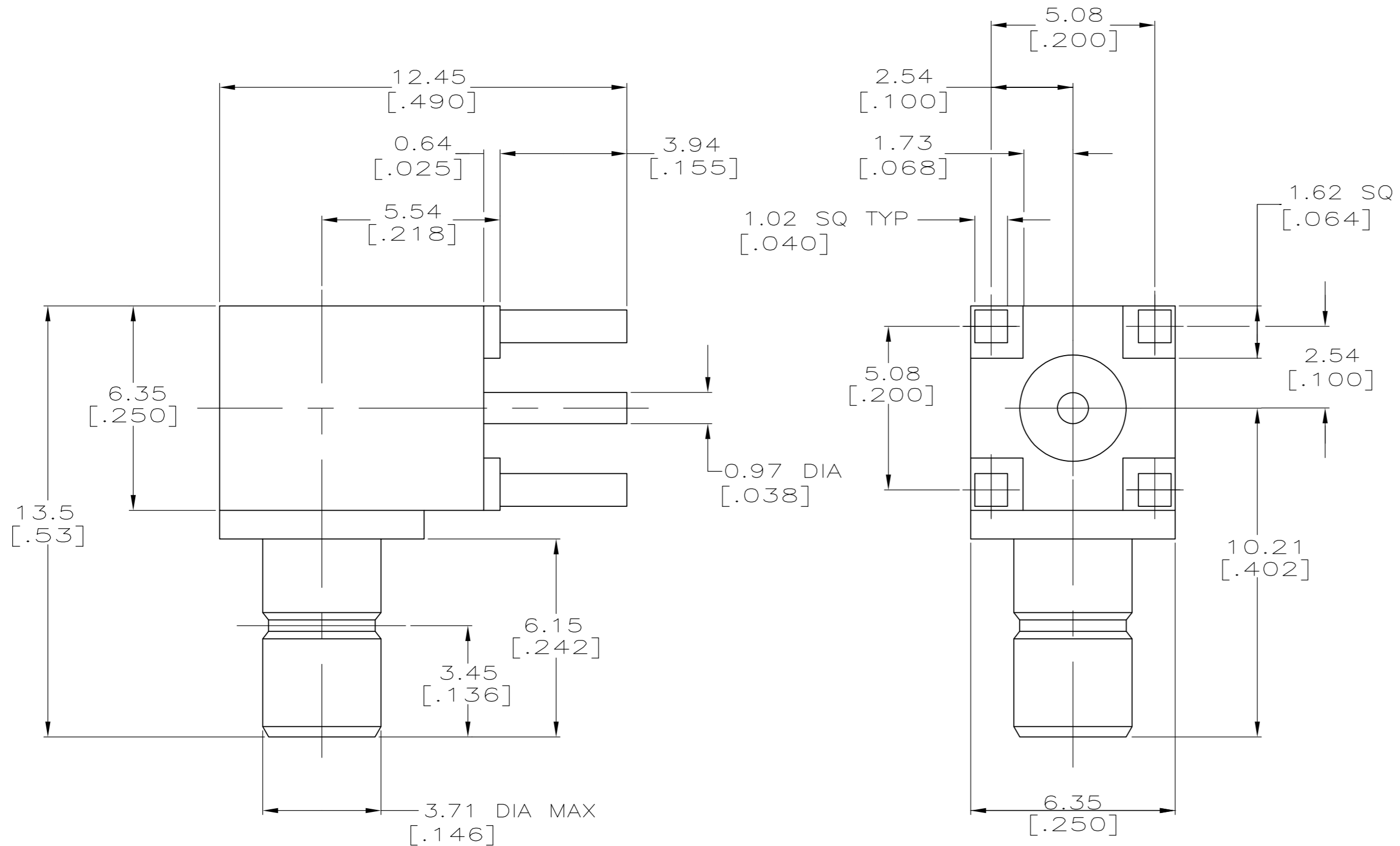
Email & Skype: info@chipsmall.com Web: www.chipsmall.com

Address: A1208, Overseas Decoration Building, #122 Zhenhua RD., Futian, Shenzhen, China

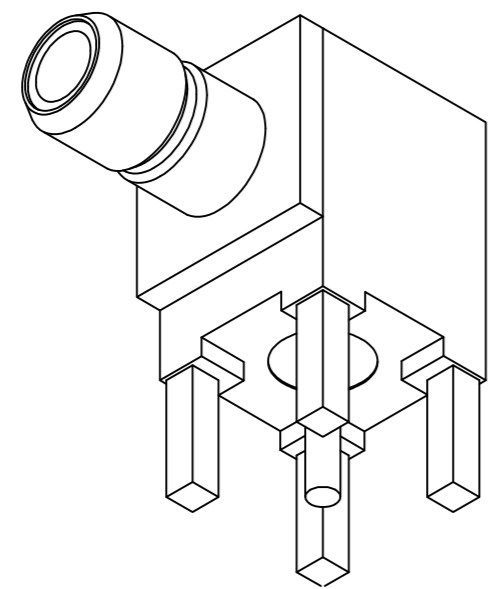


THIS DRAWING IS UNPUBLISHED. RELEASED FOR PUBLICATION  
 © COPYRIGHT - By - ALL RIGHTS RESERVED.

LOC	DIST	REVISIONS			DATE	DWN	APVD
AJ	16	P	LTR	DESCRIPTION			
		D2		ECR-12-005726	27MAR12	RK	MY



- 1 MATERIALS:  
 BODY (LEG): ZINC ALLOY (ZAMAK 3)  
 BODY (FRONT): BRASS PER QQ-B-626  
 CENTER CONTACT: BRASS PER QQ-B-626  
 INSULATORS: PTFE PER ASTM-D-1710
- 2 MATERIALS:  
 BODY (LEG): BRASS PER MIL-C-21768  
 BODY (FRONT): BRASS PER QQ-B-626  
 CENTER CONTACT: BRASS PER QQ-B-626  
 INSULATORS: PTFE PER ASTM-D-1710
- 3 FINISH:  
 CENTER CONTACT: GOLD PL PER MIL-G-45204  
 BODY (LEG): NICKEL PL PER 112-25-1  
 BODY (FRONT): GOLD PL PER 112-162-5
- 4 FINISH:  
 CENTER CONTACT: GOLD PL PER MIL-G-45204  
 BODY (LEG): GOLD PL PER 112-162-5  
 BODY (FRONT): GOLD PL PER 112-162-5
- 5 FINISH:  
 CENTER CONTACT: GOLD PL PER MIL-G-45204  
 BODY (LEG): NICKEL PL PER 112-25-1  
 BODY (FRONT): NICKEL PL PER 112-25-1
- 6. INTERFACE PER MIL-C-39012
- 7 FINISH:  
 CENTER CONTACT: GOLD PL PER MIL-G-45204  
 BODY (LEG): TIN-LEAD PL PER ASTM-B-545  
 BODY (FRONT): GOLD PL PER 112-162-5
- 8 FINISH:  
 CENTER CONTACT: GOLD PL PER MIL-G-45204  
 BODY (LEG): TIN-LEAD PL PER ASTM-B-545  
 BODY (FRONT): NICKEL PL PER 112-25-1



ISOMETRIC VIEW

SUPERSEDED BY 414337-1	2 8	414026-6
SUPERSEDED BY 414026-2	2 7	414026-5
OBSOLETE	2 3	414026-4
	2 5	414026-3
	2 4	414026-2
	1 3	414026-1
NOTES	PART NUMBER	

THIS DRAWING IS A CONTROLLED DOCUMENT.		DWN B. WERNER 11-26-90	<b>STE</b> TE Connectivity	
DIMENSIONS: mm [INCHES]		CHK J. McLEOD 2-4-91		
TOLERANCES UNLESS OTHERWISE SPECIFIED:		APVD J. McLEOD 2-4-91	NAME SMB,RIGHT ANGLE,JACK RECEPTACLE,PCB MOUNTING	
0 PLC ± -		PRODUCT SPEC	SIZE CAGE CODE DRAWING NO RESTRICTED TO	
1 PLC ± -		APPLICATION SPEC	A2 00779 C=414026	
2 PLC ± .25 [.010]		WEIGHT	SCALE 8:1 SHEET 1 OF 1 REV D2	
3 PLC ± .13 [.005]				
4 PLC ± -				
ANGLES ± -				
FINISH				
1 2				
3 4 5 7 8				