

Chipsmall Limited consists of a professional team with an average of over 10 year of expertise in the distribution of electronic components. Based in Hongkong, we have already established firm and mutual-benefit business relationships with customers from,Europe,America and south Asia,supplying obsolete and hard-to-find components to meet their specific needs.

With the principle of “Quality Parts,Customers Priority,Honest Operation,and Considerate Service”,our business mainly focus on the distribution of electronic components. Line cards we deal with include Microchip,ALPS,ROHM,Xilinx,Pulse,ON,Everlight and Freescale. Main products comprise IC,Modules,Potentiometer,IC Socket,Relay,Connector.Our parts cover such applications as commercial,industrial, and automotives areas.

We are looking forward to setting up business relationship with you and hope to provide you with the best service and solution. Let us make a better world for our industry!



Contact us

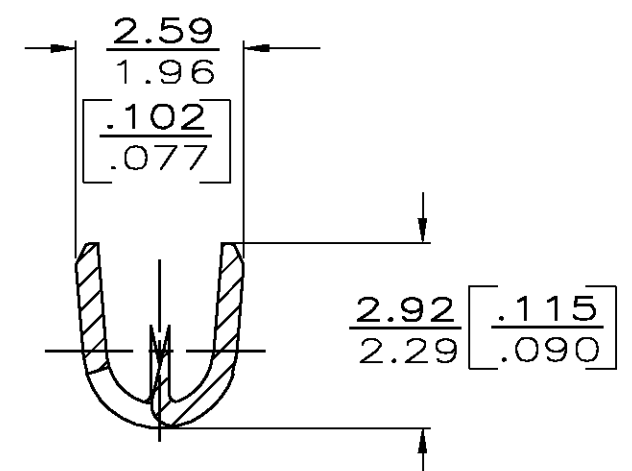
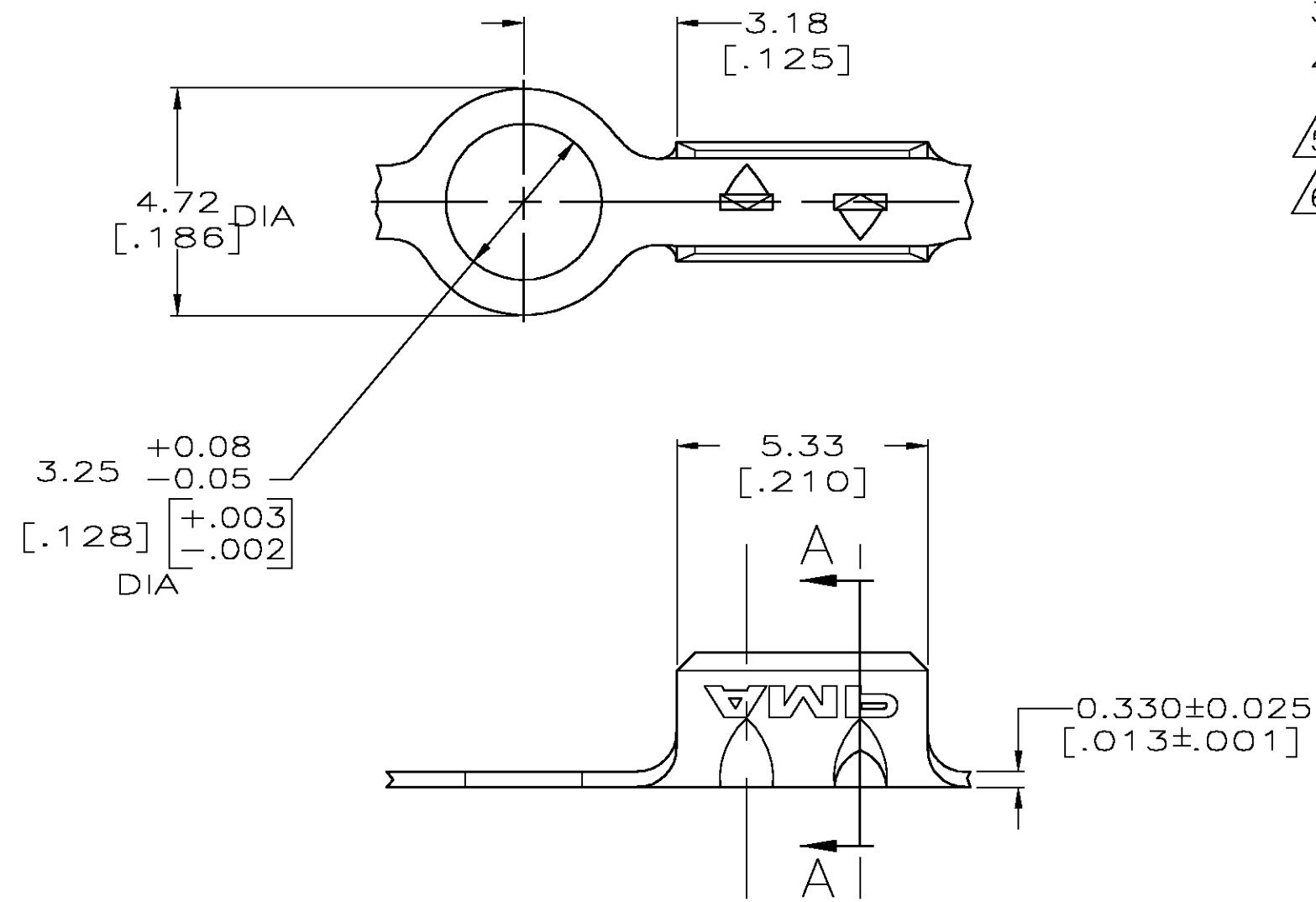
Tel: +86-755-8981 8866 Fax: +86-755-8427 6832

Email & Skype: info@chipsmall.com Web: www.chipsmall.com

Address: A1208, Overseas Decoration Building, #122 Zhenhua RD., Futian, Shenzhen, China

LOC	DIST	REVISIONS					
AF	50	P	LTR	DESCRIPTION	DATE	DWN	APVD
			T	REV PER 0G3A-0210-03	10APR03	JR	DD

- 1 CONTINUOUS STRIP ON REEL.
- 2 0.003302 [.000130] MAX PRE-TIN PL PER MIL-T-10727.
- 3 WIRE SIZE 22-20 AWG
- 4 INSULATION RANGE IS 1.27-1.65 [.050-.065] DIA
- 5 PACKAGED WITH PAPER
- 6 PRELIMINARY - NOT FOR PRODUCTION



SECTION A-A
SCALE 10:1

2	5 6	41409-3
2		41409
FINISH		PART NO

THIS DRAWING IS A CONTROLLED DOCUMENT.		DWN	PHILLIP M. FORTNEY	6/15/94	tyco Electronics	Tyco Electronics Corporation Harrisburg, PA 17105				
DIMENSIONS: INCHES		CHK	JEFF R RUTH	6/15/94		NAME RING, INSULATION PIERCING				
TOLERANCES UNLESS OTHERWISE SPECIFIED: 0 PLC ± - 1 PLC ± - 2 PLC ± 0.25 [.010] 3 PLC ± - 4 PLC ± - ANGLES ± -		APVD	R KUZO	6/15/94	PRODUCT SPEC -					
MATERIAL 082 BRASS		FINISH -		APPLICATION SPEC -	WEIGHT -	SIZE A3	CAGE CODE 00779	DRAWING NO 41409	RESTRICTED TO -	
CUSTOMER DRAWING						SCALE	8:1	SHEET	1 OF 1	REV T