



Chipsmall Limited consists of a professional team with an average of over 10 year of expertise in the distribution of electronic components. Based in Hongkong, we have already established firm and mutual-benefit business relationships with customers from,Europe,America and south Asia,supplying obsolete and hard-to-find components to meet their specific needs.

With the principle of “Quality Parts,Customers Priority,Honest Operation,and Considerate Service”,our business mainly focus on the distribution of electronic components. Line cards we deal with include Microchip,ALPS,ROHM,Xilinx,Pulse,ON,Everlight and Freescale. Main products comprise IC,Modules,Potentiometer,IC Socket,Relay,Connector.Our parts cover such applications as commercial,industrial, and automotives areas.

We are looking forward to setting up business relationship with you and hope to provide you with the best service and solution. Let us make a better world for our industry!



## Contact us

Tel: +86-755-8981 8866 Fax: +86-755-8427 6832

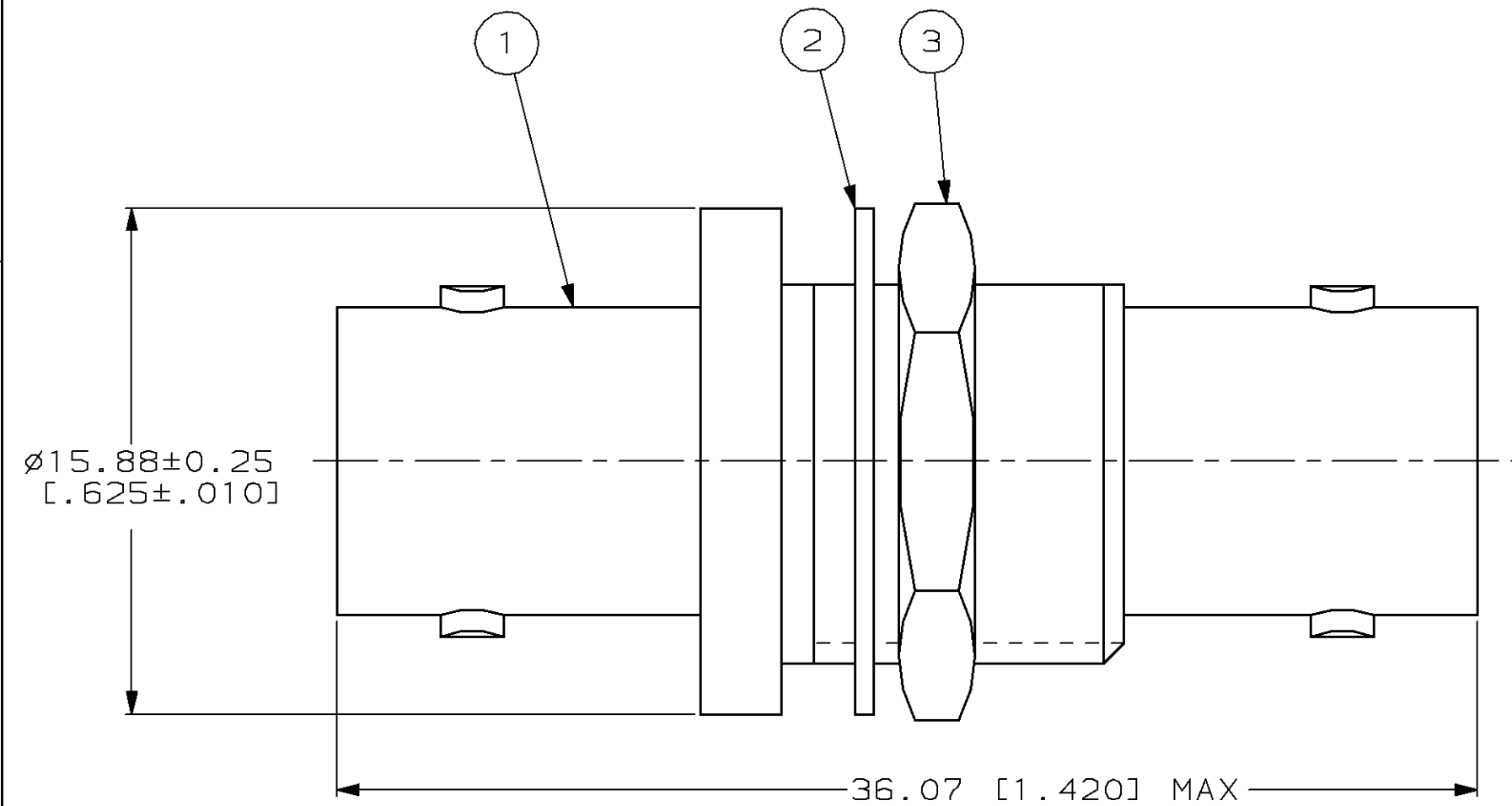
Email & Skype: info@chipsmall.com Web: www.chipsmall.com

Address: A1208, Overseas Decoration Building, #122 Zhenhua RD., Futian, Shenzhen, China

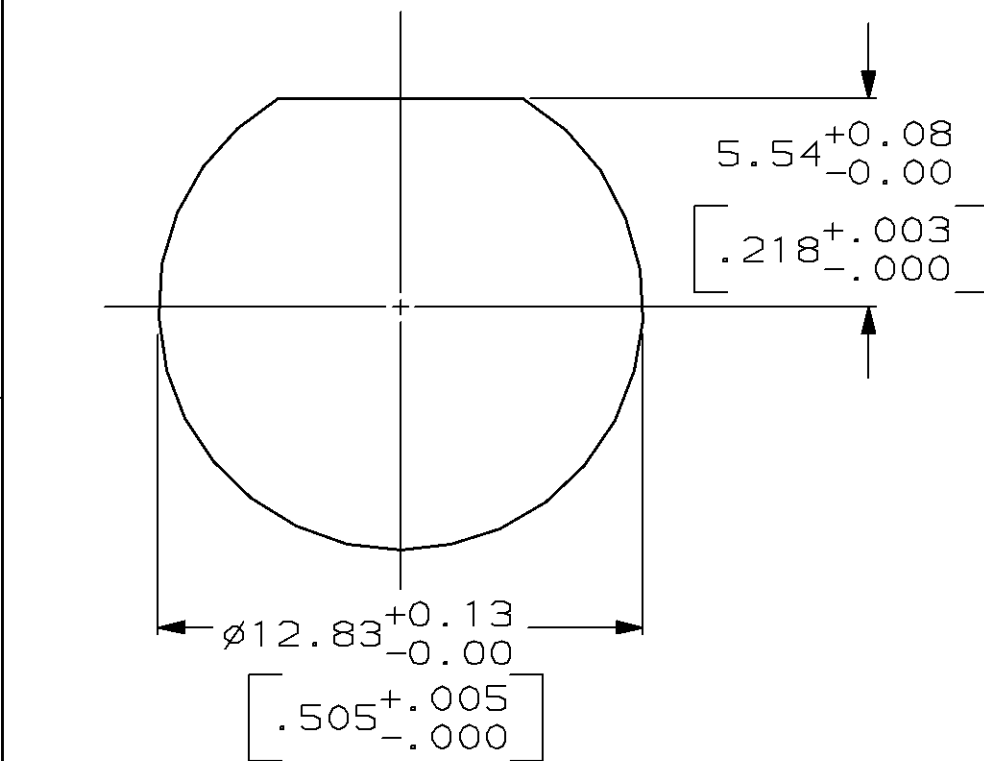


THIS DRAWING IS UNPUBLISHED. RELEASED FOR PUBLICATION, 19 .  
 © COPYRIGHT 19 BY AMP INCORPORATED. ALL INTERNATIONAL RIGHTS RESERVED.

LOC	DIST	P	F	REVISIONS				
				ZONE	LTR	DESCRIPTION	DATE	APPD
AJ	16	✓	✓	0		RELEASED PER 90-3140-003	6-10-91	MS
		✓	✓	A		REV PER AJ-5833	11/05/91	BM
		✓	✓	B		ADDED -2 PER 92-3586-003	5-27-92	MS
		✓	✓	C		REV PER AJ-6374	6-4-92	MS
				D		OBSOLETE -2 PER 0503-0285-96	5-19-97	JG



1. PANEL THICKNESS 6.34 [0.250] MAX.



RECOMMENDED PANEL CUTOUT

OBSOLETE	SILVER	1-329631-2	1-329632-2	414136-2	414105-2
	GOLD	1-329631-2	1-329632-2	414136-1	414105-1
CONTACT FINISH	(3) JAM NUT QTY=1	(2) LOCKWASHER QTY=1	(1) JACK ASSY QTY=1	PART NO	

PART NO		
DO NOT SCALE PRINT. UNLESS SPECIFIED DIMENSIONS IN mm [INCHES] TOLERANCES ON: 2 PLC DEC ± - 3 PLC DEC ± - ANGLES ± -		DR 6-10-91 M. SNEED
MATERIAL	-	CHK 6-10-91 R. HENRY
FINISH	-	APPD 6-10-91 R. HENRY
		APPD 6-10-91 M. SNEED
		PRODUCT SPEC
		APPLICATION SPEC
		WEIGHT -
AMP Incorporated Harrisburg, PA 17105-3608		NAME JACK, ADAPTER, BHD, 50 OHM, ISOLATED, BNC
SIZE B	CAGE CODE 00779	DRAWING NO 414105
SCALE 5:1	SHEET 1 OF 1	