



Chipsmall Limited consists of a professional team with an average of over 10 year of expertise in the distribution of electronic components. Based in Hongkong, we have already established firm and mutual-benefit business relationships with customers from,Europe,America and south Asia,supplying obsolete and hard-to-find components to meet their specific needs.

With the principle of "Quality Parts,Customers Priority,Honest Operation,and Considerate Service",our business mainly focus on the distribution of electronic components. Line cards we deal with include Microchip,ALPS,ROHM,Xilinx,Pulse,ON,Everlight and Freescale. Main products comprise IC,Modules,Potentiometer,IC Socket,Relay,Connector.Our parts cover such applications as commercial,industrial, and automotives areas.

We are looking forward to setting up business relationship with you and hope to provide you with the best service and solution. Let us make a better world for our industry!



## Contact us

Tel: +86-755-8981 8866 Fax: +86-755-8427 6832

Email & Skype: info@chipsmall.com Web: www.chipsmall.com

Address: A1208, Overseas Decoration Building, #122 Zhenhua RD., Futian, Shenzhen, China

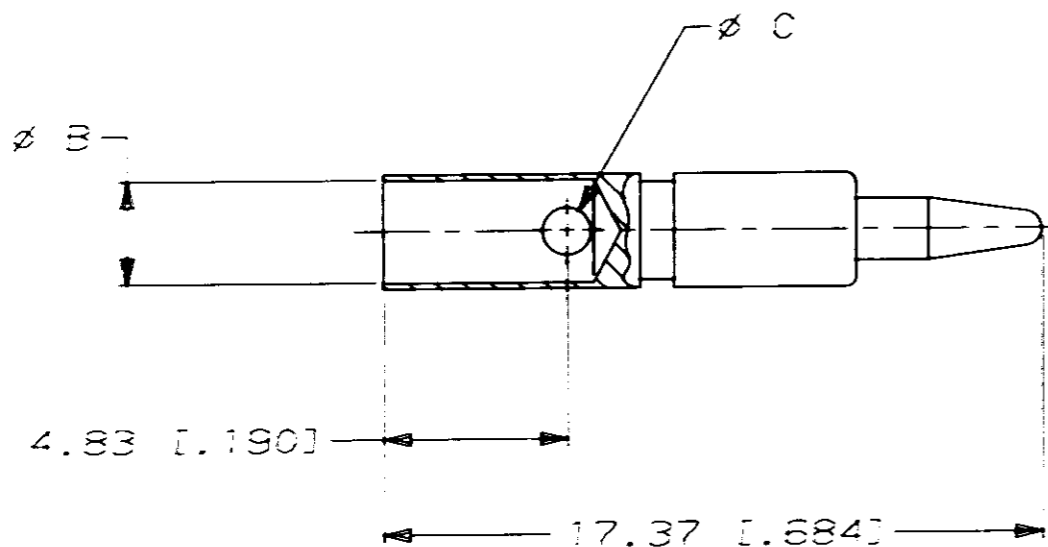


THIS DRAWING IS UNPUBLISHED. RELEASED FOR PUBLICATION, 19  
 BY AMP INCORPORATED. ALL INTERNATIONAL RIGHTS RESERVED.

LOC	QTY	P	F	ZONE	LTR	DESCRIPTION	DATE	APPD
AJ	16							
		✓	✓		0	RELEASED PER 91-3357-018	4-19-91	MS
		✓	✓		A	ADD -4 PER 91-3357-001	8-15-91	MS
		✓	✓		B	ADD -6 PER 91-3317-011	12-18-91	MS

① BRASS PER QQ-B-626

② GOLD PL PER MIL-G-45204  
 0.76µm MIN THK [0.000030]



0.64 [0.025]	1.02 [0.040]	414116-6
1.27 [0.050]	2.36 [0.093]	414116-4
1.27 [0.050]	2.74 [0.108]	414116-2
DIM C	DIM B	PART NUMBER

		PART NO	
DO NOT SCALE PRINT. UNLESS SPECIFIED DIMENSIONS IN INCHES: TOLERANCES ON: 2 PL DEC ± 3 PL DEC ± 0.13 [0.005] ANGLES ±	DR 3-21-91 M. SNEED	<b>AMP</b> AMP Incorporated Harrisburg, PA 17105-3608	
MATERIAL	CHK 4-19-91 R. HENRY	NAME	
NOTE 1	APPD 4-19-91 R. HENRY	CONTACT, MALE, SERIES N	
FINISH	APPD 4-19-91 M. SNEED	SIZE	CAGE CODE
NOTE 2	PRODUCT SPEC	B	00779
	APPLICATION SPEC	DRAWING NO	414116
	WEIGHT	SCALE	SHEET
		5:1	1 OF 1