



Chipsmall Limited consists of a professional team with an average of over 10 year of expertise in the distribution of electronic components. Based in Hongkong, we have already established firm and mutual-benefit business relationships with customers from,Europe,America and south Asia,supplying obsolete and hard-to-find components to meet their specific needs.

With the principle of “Quality Parts,Customers Priority,Honest Operation,and Considerate Service”,our business mainly focus on the distribution of electronic components. Line cards we deal with include Microchip,ALPS,ROHM,Xilinx,Pulse,ON,Everlight and Freescale. Main products comprise IC,Modules,Potentiometer,IC Socket,Relay,Connector.Our parts cover such applications as commercial,industrial, and automotives areas.

We are looking forward to setting up business relationship with you and hope to provide you with the best service and solution. Let us make a better world for our industry!



## Contact us

Tel: +86-755-8981 8866 Fax: +86-755-8427 6832

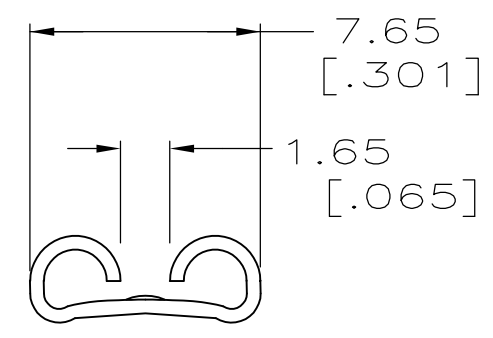
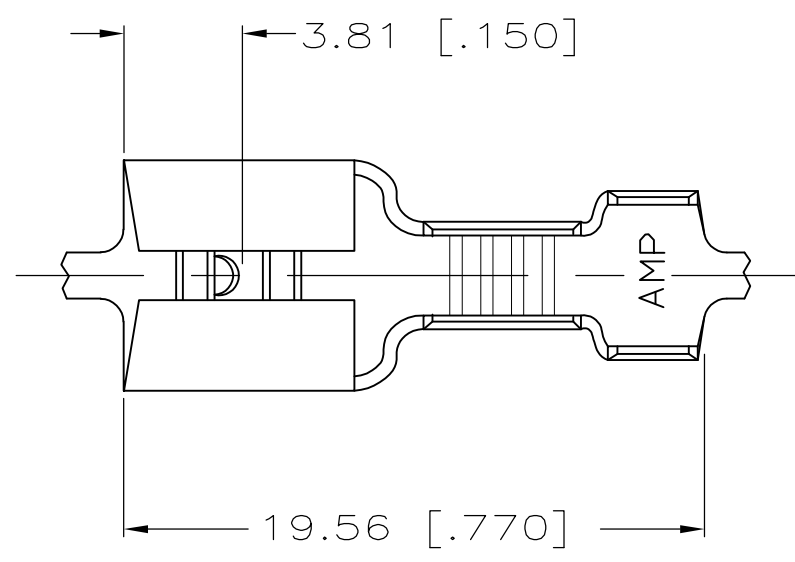
Email & Skype: info@chipsmall.com Web: www.chipsmall.com

Address: A1208, Overseas Decoration Building, #122 Zhenhua RD., Futian, Shenzhen, China



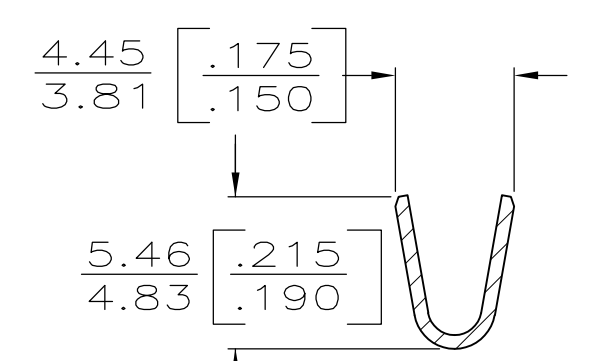
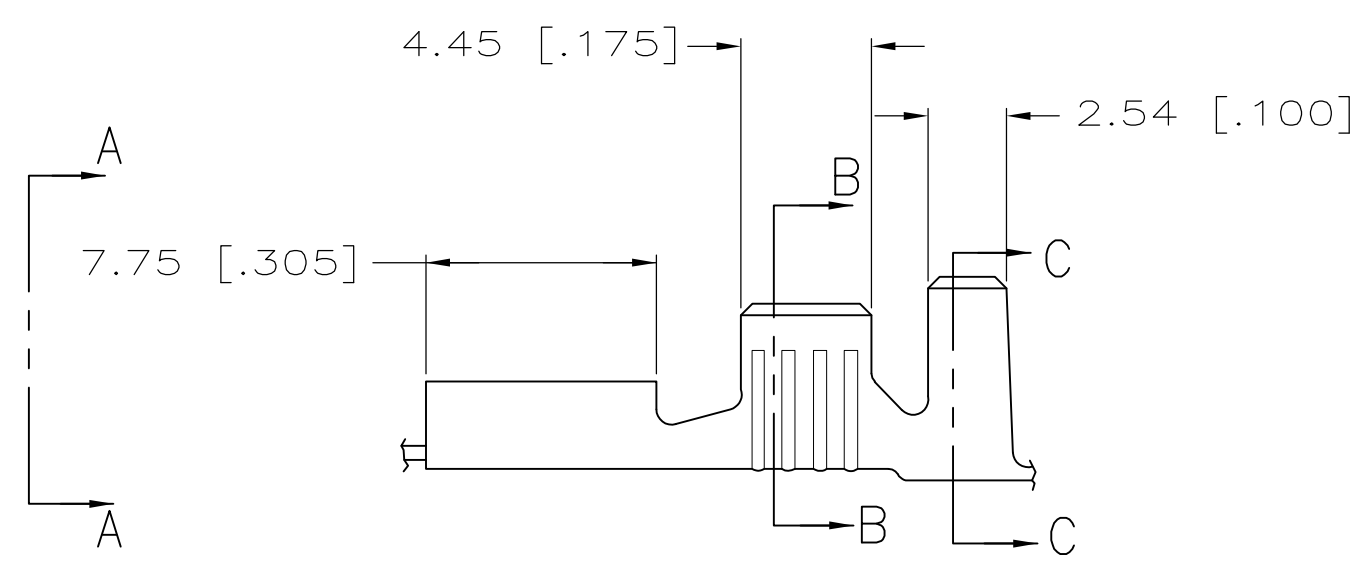
THIS DRAWING IS UNPUBLISHED. RELEASED FOR PUBLICATION  
 © COPYRIGHT - By - ALL RIGHTS RESERVED.

LOC	DIST	REVISIONS					
AF	50	P	LTR	DESCRIPTION	DATE	DWN	APVD
			AE	REVISED PER ECR-12-013445	18OCT12	KH	PD

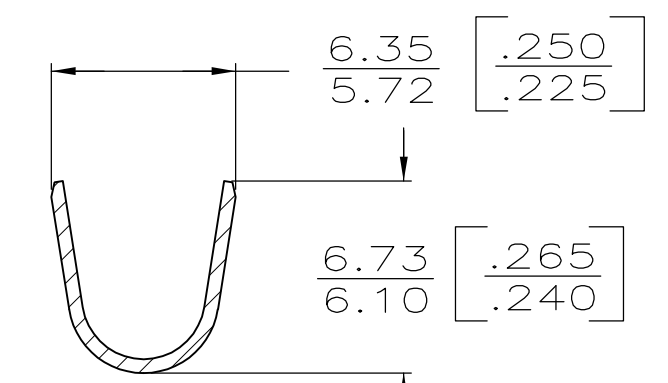


VIEW A-A

- 1 DIM'S IN BRACKETS ARE IN INCHES.
- 2 CONTINUOUS STRIP ON REELS.
- 3 FOREIGN PRODUCTION ONLY.
- 4 MATING TAB THK IS 0.81±0.025[.032±.001].
- 5 WIRE SIZE IS [#14-#10] AWG.
- 6 INSULATION DIA IS 3.81-5.08 [.150-.200].
- 7 REVERSE REELING W/ PAPER INTERLEAVING
- 8 PRELIMINARY - NOT FOR PRODUCTION
- 9 FOR AMP ITALY ONLY, NOT STRESS RELIEVED.



SECT B-B



SECT C-C

0.46 [.018] BRASS	9	1-41450-1
0.46 [.018] BRASS	7/8	41450-3
BRASS	3	41450-2
0.46 [.018] BRASS	3	41450-1
BRASS		41450
MATERIAL		PART NO

0	5.33 [.210]	5.59 [.220]	F	3.30 [.130]	2.90 [.114]	5.0mm <sup>2</sup> [10]
					2.39 [.094]	3.0mm <sup>2</sup> [12]
					2.08 [.082]	2.0mm <sup>2</sup> [14]
TYPE	WIDTH	STRIP LENGTH ±0.38 [±.015]	TYPE	WIDTH	±.051 [±.002] HEIGHT	WIRE
INSUL BARREL CRIMP			WIRE BARREL CRIMP			

THIS DRAWING IS A CONTROLLED DOCUMENT.

DIMENSIONS: mm [INCHES]

TOLERANCES UNLESS OTHERWISE SPECIFIED:

0 PLC	± -
1 PLC	± -
2 PLC	± 0.25 [.010]
3 PLC	± -
4 PLC	± -
ANGLES	± -
FINISH	TIN

MATERIAL: SEE TABLE

DWN: JR RUTH 2/7/86  
 CHK: G YETTER 2/7/86  
 APVD: R KUZO 2/7/86  
 PRODUCT SPEC: —  
 APPLICATION SPEC: —  
 WEIGHT: —

**STE** TE Connectivity

RECEPTACLE, FASTON, .250 SERIES

SIZE: A3 CAGE CODE: 00779 DRAWING NO: C-41450 RESTRICTED TO: —

CUSTOMER DRAWING SCALE: 4:1 SHEET: 1 OF 1 REV: AE