



Chipsmall Limited consists of a professional team with an average of over 10 year of expertise in the distribution of electronic components. Based in Hongkong, we have already established firm and mutual-benefit business relationships with customers from,Europe,America and south Asia,supplying obsolete and hard-to-find components to meet their specific needs.

With the principle of “Quality Parts,Customers Priority,Honest Operation,and Considerate Service”,our business mainly focus on the distribution of electronic components. Line cards we deal with include Microchip,ALPS,ROHM,Xilinx,Pulse,ON,Everlight and Freescale. Main products comprise IC,Modules,Potentiometer,IC Socket,Relay,Connector.Our parts cover such applications as commercial,industrial, and automotives areas.

We are looking forward to setting up business relationship with you and hope to provide you with the best service and solution. Let us make a better world for our industry!



Contact us

Tel: +86-755-8981 8866 Fax: +86-755-8427 6832

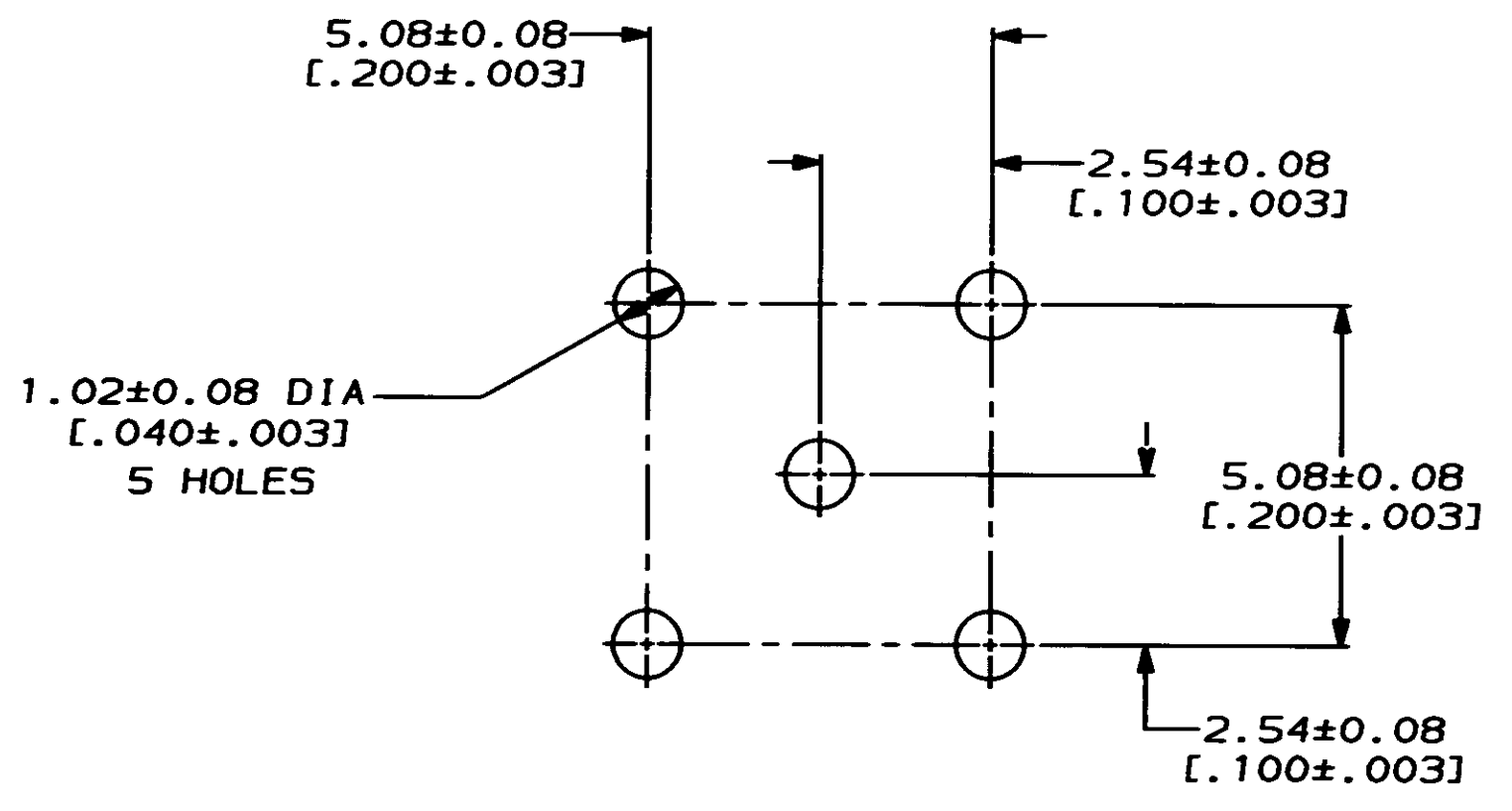
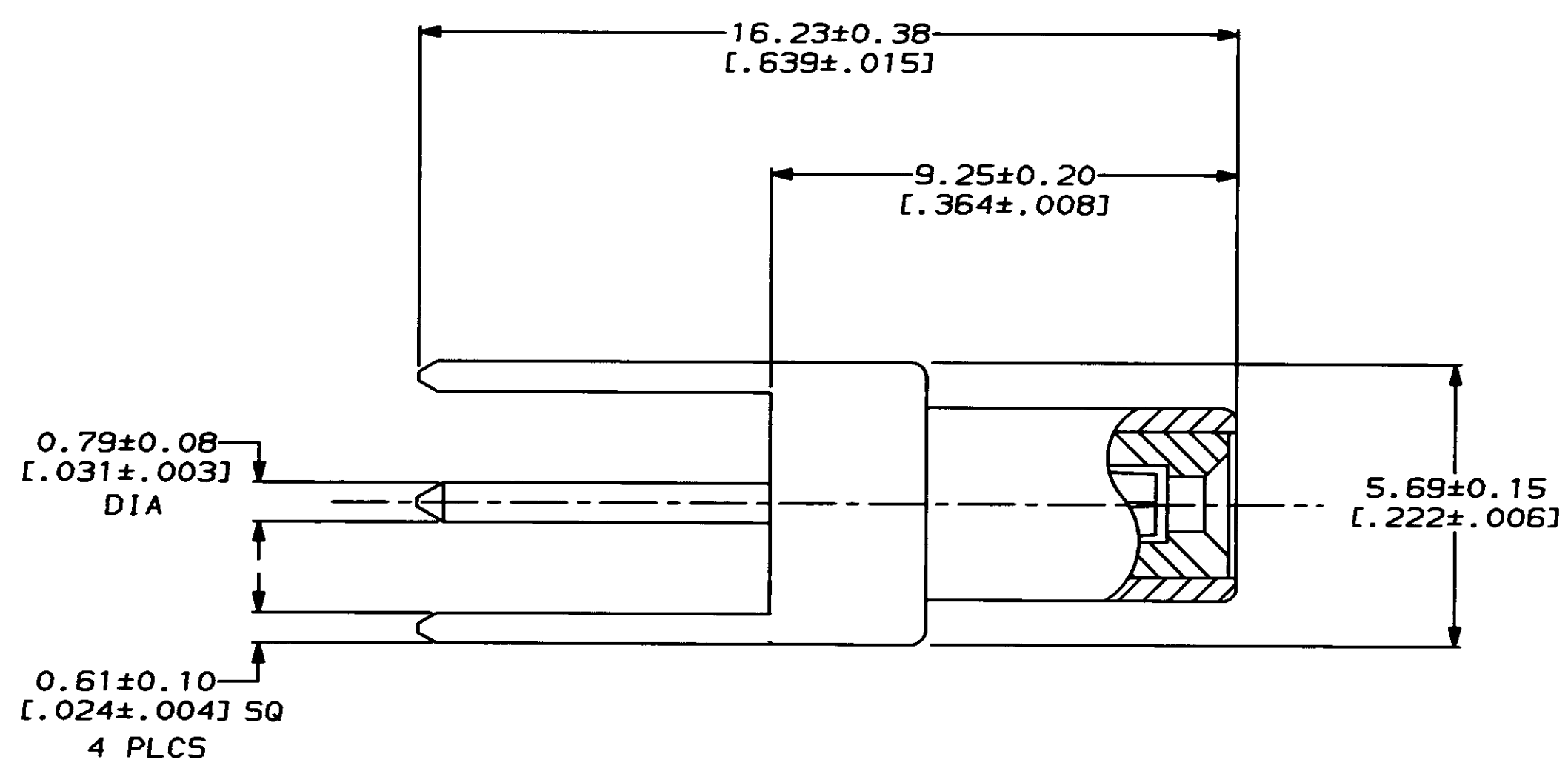
Email & Skype: info@chipsmall.com Web: www.chipsmall.com

Address: A1208, Overseas Decoration Building, #122 Zhenhua RD., Futian, Shenzhen, China



LOC		DIST		P		F		REVISIONS			
ZONE	LTR	DESCRIPTION		DATE	APPD						
AJ	16					0	REL PER 92-3361-020	01/29/93	JPD		

- 1 BRASS PER QQ-B-626
- 2 BERYLLIUM COPPER PER QQ-C-530
- 3 PTFE PER MIL-P-19468
- 4 NICKEL PL PER QQ-N-290
- 5 GOLD PL PER MIL-G-45204
- 6. DIELECTRIC AND CONTACT ASSEMBLY WILL WITHSTAND 2.5 LB PUSHOUT FORCE DIRECTED FROM MATING END



PCB CONFIGURATION

414509-1
 PART NUMBER

DO NOT SCALE PRINT. UNLESS SPECIFIED DIMENSIONS IN INCHES [INCHES]		DR 01/29/93 J.DAVIS		AMP AMP Incorporated Harrisburg, PA 17105-3608	
TOLERANCES ON:		CHK 01/29/93 G.MICHAEL		NAME	
2 PLC DEC ± -		APPD 01/29/93 G.MICHAEL		PIN, PCB, VERT, SIZE 8	
3 PLC DEC ± -		APPD 01/29/93 J.DAVIS		SIZE	
ANGLES ± -		PRODUCT SPEC		CAGE CODE	
MATERIAL		-		DRAWING NO	
FINISH		-		C=414509	
WEIGHT		-		SCALE	
		-		SHEET 1 OF 1	

THIS DRAWING IS A CONTROLLED DOCUMENT FOR AMP INCORPORATED. IT IS SUBJECT TO CHANGE AND THE CONTROLLING ENGINEERING ORGANIZATION SHOULD BE CONTACTED FOR THE LATEST REVISION.