



Chipsmall Limited consists of a professional team with an average of over 10 year of expertise in the distribution of electronic components. Based in Hongkong, we have already established firm and mutual-benefit business relationships with customers from,Europe,America and south Asia,supplying obsolete and hard-to-find components to meet their specific needs.

With the principle of “Quality Parts,Customers Priority,Honest Operation,and Considerate Service”,our business mainly focus on the distribution of electronic components. Line cards we deal with include Microchip,ALPS,ROHM,Xilinx,Pulse,ON,Everlight and Freescale. Main products comprise IC,Modules,Potentiometer,IC Socket,Relay,Connector.Our parts cover such applications as commercial,industrial, and automotives areas.

We are looking forward to setting up business relationship with you and hope to provide you with the best service and solution. Let us make a better world for our industry!



Contact us

Tel: +86-755-8981 8866 Fax: +86-755-8427 6832

Email & Skype: info@chipsmall.com Web: www.chipsmall.com

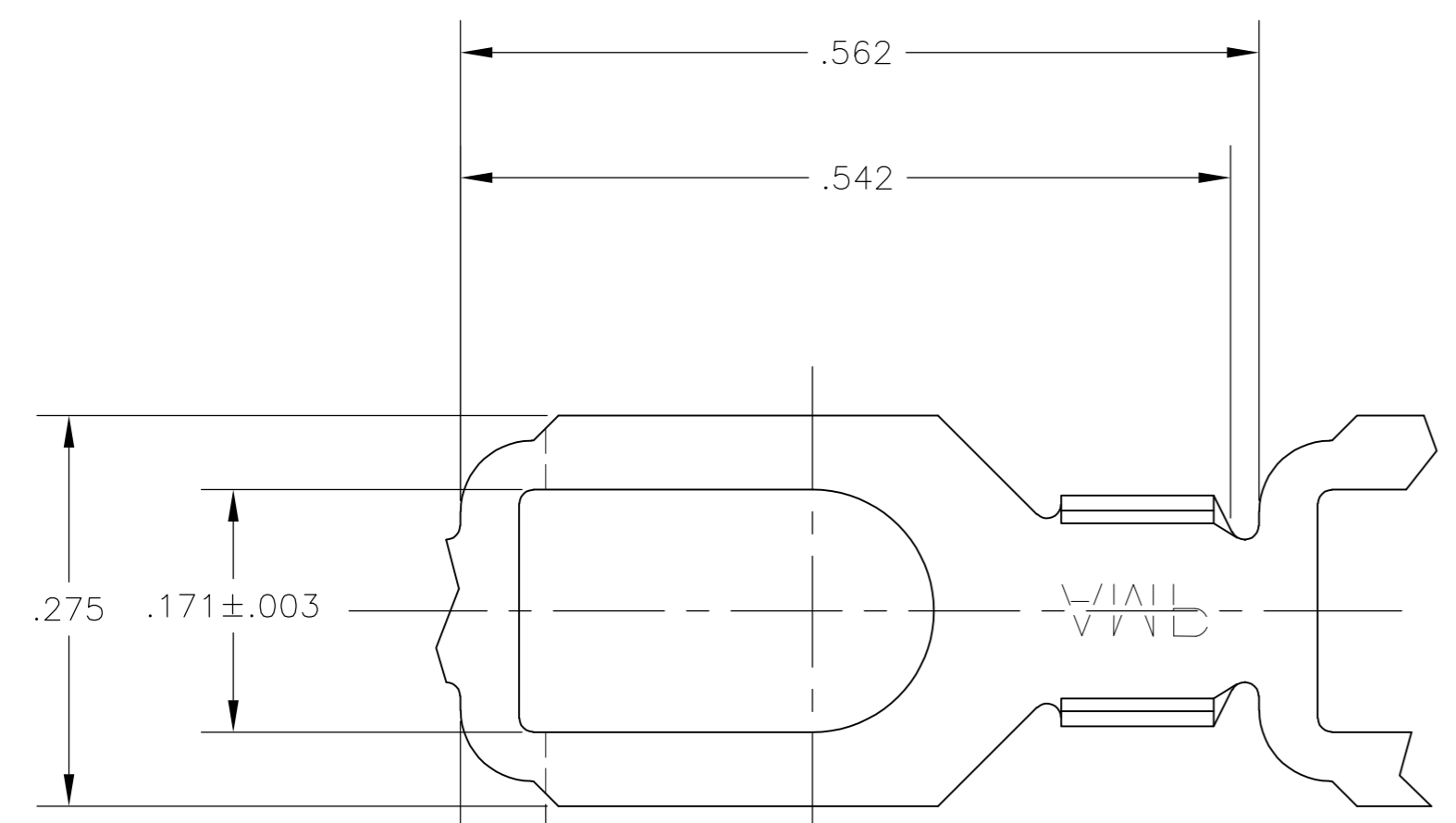
Address: A1208, Overseas Decoration Building, #122 Zhenhua RD., Futian, Shenzhen, China



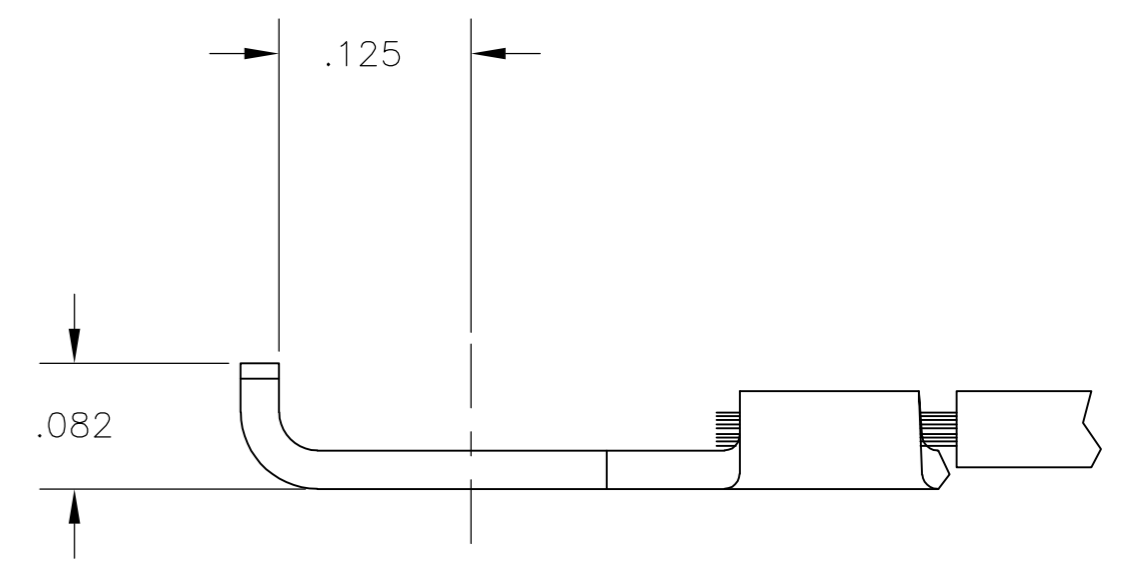
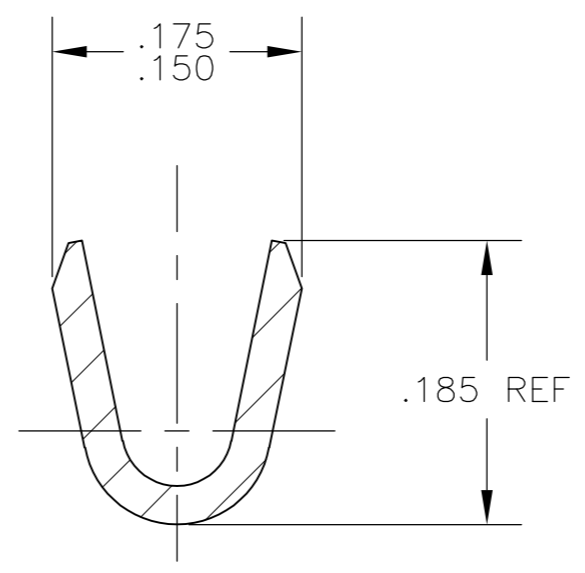
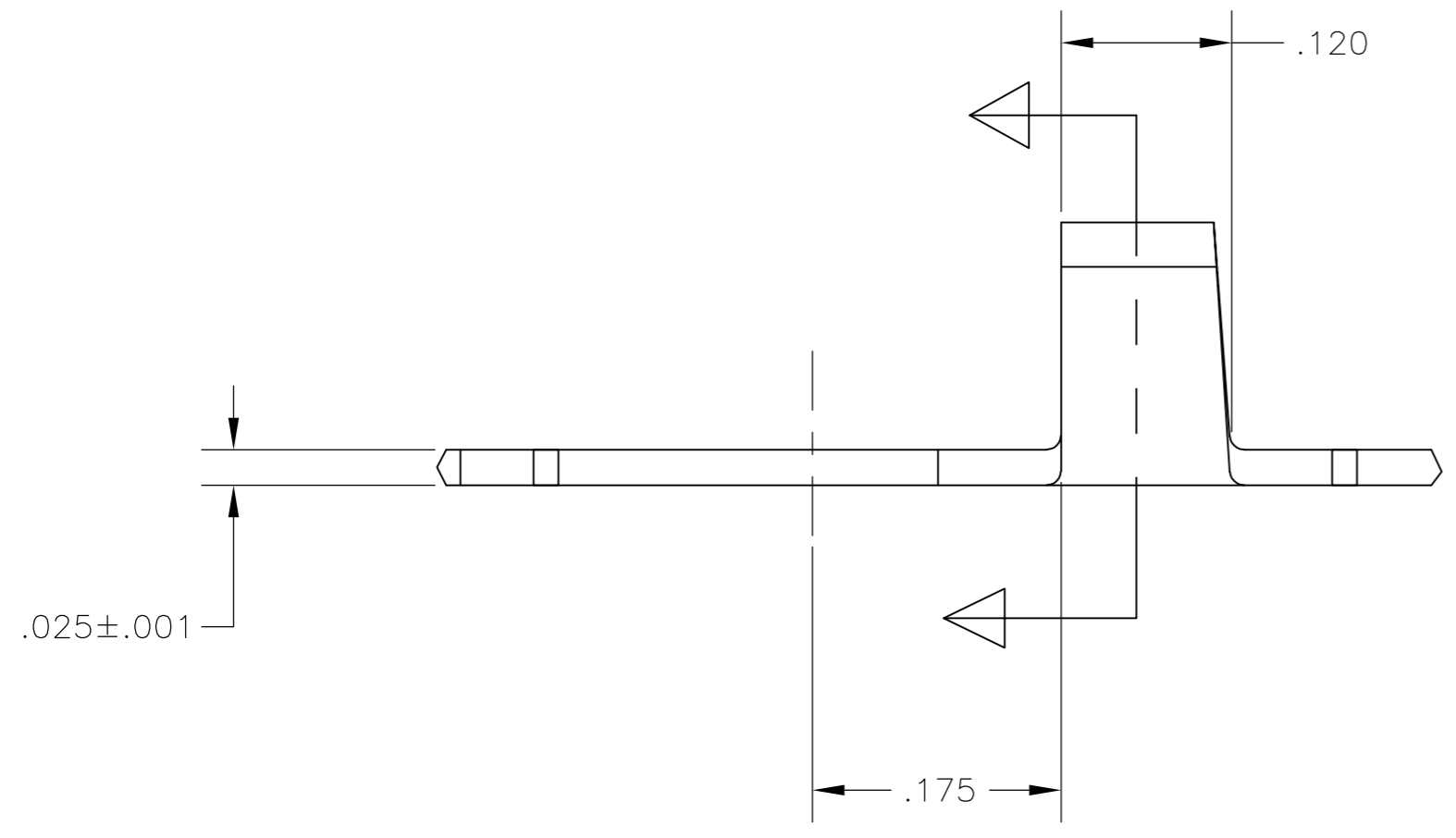
THIS DRAWING IS UNPUBLISHED. RELEASED FOR PUBLICATION
 © COPYRIGHT BY TYCO ELECTRONICS CORPORATION. ALL RIGHTS RESERVED.

LOC		DIST		REVISIONS			
P	LTR	DESCRIPTION	DATE	DWN	APVD		
AF	50	J	REVIS PER ECR-10-006099	06JUL10	HMR	PD	

- FOR NEW APPLICATIONS SEE PREFERRED MODERNIZED DESIGN 42320 GROUP AND 42321 GROUP.
- △ SUFFIX LETTER MUST BE USED ONLY WHEN ORDERING APPLICATOR TOOLING.
- CONTINUOUS STRIP ON REELS.
- △ REDEUCED PACKAGE QUANTITY.
- △ PRELIMINARY - NOT FOR PRODUCTION.



.060
APPLICATOR
CUT-OFF



FLANGED IN APPLICATOR △2

41473-1 A	18-14 AWG	△4	41473-1	△5
41473 A	18-14 AWG		41473	
△2 FLANGED PART NUMBER	WIRE RANGE		PART NUMBER	

THIS DRAWING IS A CONTROLLED DOCUMENT.		DWN 02APR2003 MICHAEL S. FEHER	Tyco Electronics Corporation Harrisburg, PA 17105-3608	
DIMENSIONS: INCHES		CHK 02APR2003 DONALD F. DECKER	NAME	
TOLERANCES UNLESS OTHERWISE SPECIFIED:		APVD 02APR2003 DONALD F. DECKER	PRODUCT SPEC	
0 PLC ± -		APPLICATION SPEC		
1 PLC ± -		WEIGHT -		
2 PLC ± -		SIZE A2		
3 PLC ± .010		CAGE CODE 00779		
4 PLC ± -		DRAWING NO C=41473		
ANGLES ± 1°		RESTRICTED TO -		
MATERIAL 082 BRASS	FINISH TIN	CUSTOMER DRAWING		
		SCALE 8:1		SHEET 1 OF 1
				REV J