



Chipsmall Limited consists of a professional team with an average of over 10 year of expertise in the distribution of electronic components. Based in Hongkong, we have already established firm and mutual-benefit business relationships with customers from,Europe,America and south Asia,supplying obsolete and hard-to-find components to meet their specific needs.

With the principle of “Quality Parts,Customers Priority,Honest Operation,and Considerate Service”,our business mainly focus on the distribution of electronic components. Line cards we deal with include Microchip,ALPS,ROHM,Xilinx,Pulse,ON,Everlight and Freescale. Main products comprise IC,Modules,Potentiometer,IC Socket,Relay,Connector.Our parts cover such applications as commercial,industrial, and automotives areas.

We are looking forward to setting up business relationship with you and hope to provide you with the best service and solution. Let us make a better world for our industry!



Contact us

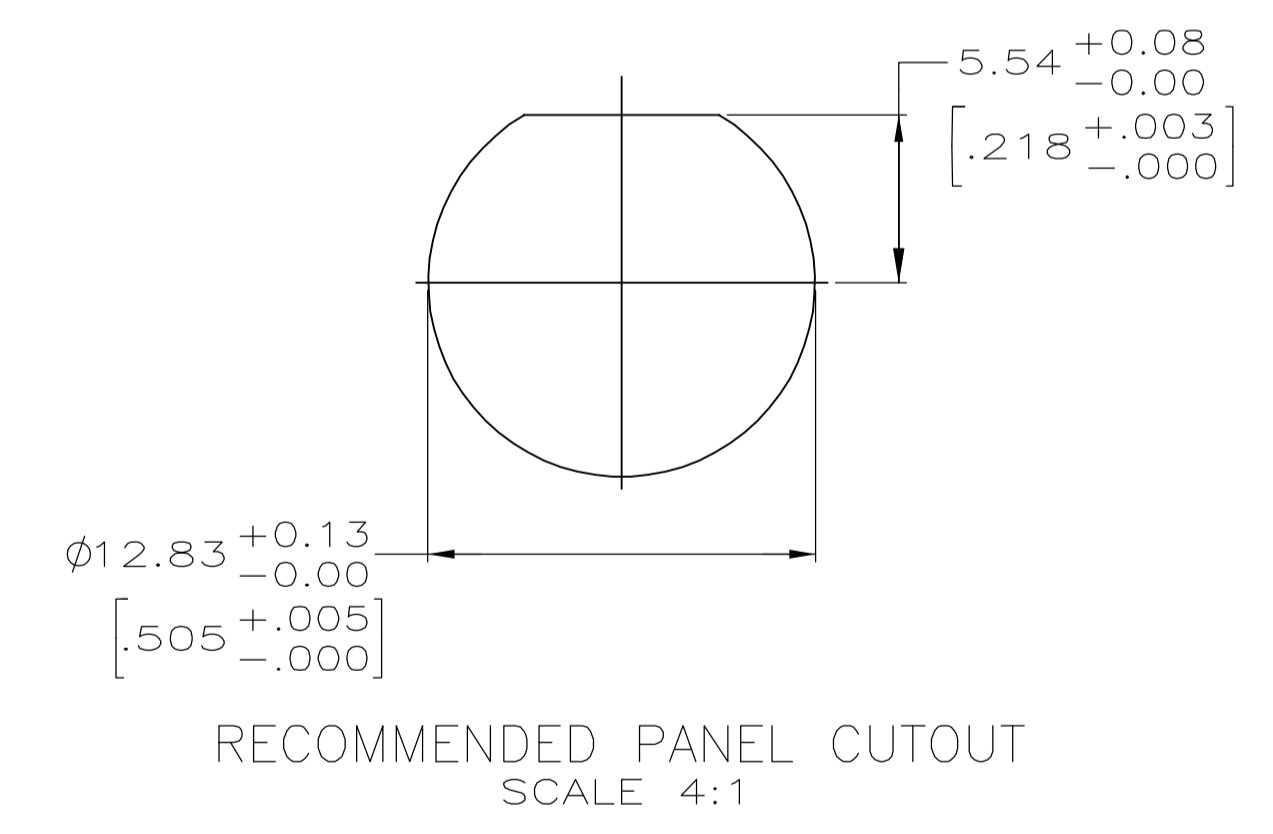
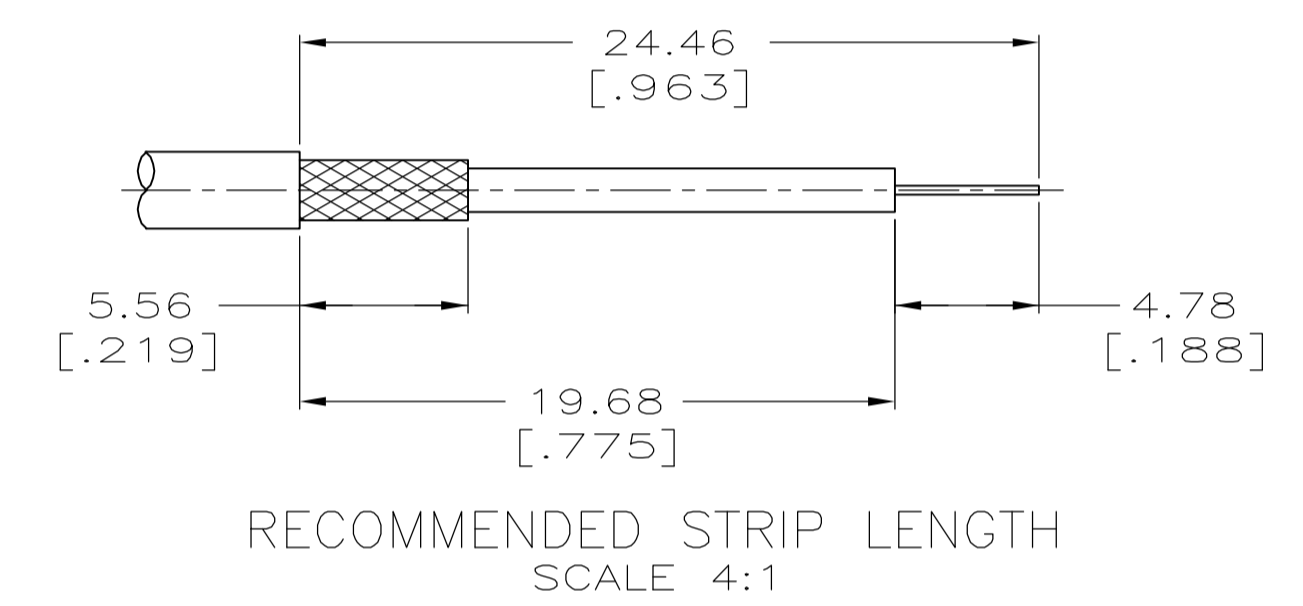
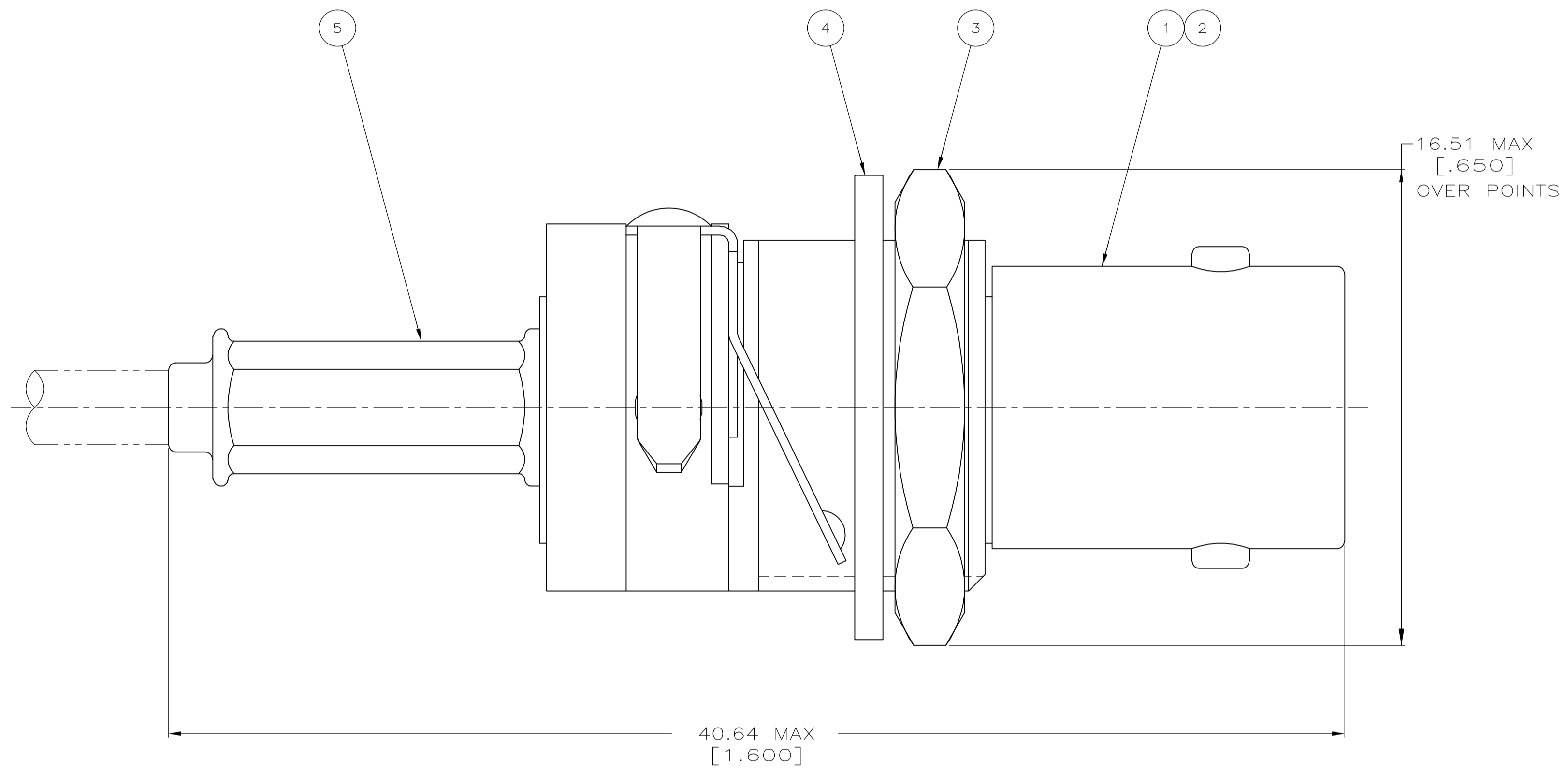
Tel: +86-755-8981 8866 Fax: +86-755-8427 6832

Email & Skype: info@chipsmall.com Web: www.chipsmall.com

Address: A1208, Overseas Decoration Building, #122 Zhenhua RD., Futian, Shenzhen, China



- △ USE CRIMP TOOL: 354940-1
- 2. PANEL THICKNESS = 5.08 [.200] MAX
- 3. USE INSTRUCTION SHEET 408-4048
- 4. CAPACITANCE = 9400 PF ± 10% TOTAL
VOLTAGE = 500 VDC



	RG-174/U, 188/U, 316/U	4.52 [.178]	1.73 [.068]	58436-3	227194-5	9-413658-0	1-329632-2	1-329631-2	1-413774-5	414757-2	414758-2
OBSOLETE	RG-58/U, 58A/U, 58B/U, 58C/U	5.41 [.213]	1.73 [.068]	58436-1	-	9-221132-0	1-329632-2	1-329631-2	413774-5	414757-1	414758-1
	FOR USE WITH CABLE	FERRULE	CENTER CONTACT	DIE SET	⑥ SPACER	⑤ FERRULE	④ LOCK WASHER	③ JAM NUT	② CONTACT	① JACK ASSEMBLY	PART NUMBER
		HEX CRIMP HEIGHTS		△	QTY=1	QTY=1	QTY=1	QTY=1	QTY=1	QTY=1	

THIS DRAWING IS A CONTROLLED DOCUMENT.

DIMENSIONS: INCHES	TOLERANCES UNLESS OTHERWISE SPECIFIED:	DWN	14APR94	Tyco Electronics Corporation Harrisburg, PA 17105-3608	
0 PLC ± -	1 PLC ± -	CHK	14APR94		
2 PLC ± -	3 PLC ± 0.41 [016]	APVD	15APR94	NAME	
4 PLC ± -	ANGLES ± -	M. PHILLIPS		JACK, BULKHEAD, DECOUPLER, 50 OHM, HEX CRIMP, BNC	
MATERIAL	FINISH	M. PHILLIPS		PRODUCT SPEC	
		M. PHILLIPS		108-1490	
		M. PHILLIPS		APPLICATION SPEC	
		SIZE	CAGE CODE	DRAWING NO	RESTRICTED TO
		WEIGHT	A1	00779	414758
		CUSTOMER DRAWING		SCALE	SHEET
				8:1	1 OF 1
				REV	E1