



Chipsmall Limited consists of a professional team with an average of over 10 year of expertise in the distribution of electronic components. Based in Hongkong, we have already established firm and mutual-benefit business relationships with customers from,Europe,America and south Asia,supplying obsolete and hard-to-find components to meet their specific needs.

With the principle of “Quality Parts,Customers Priority,Honest Operation,and Considerate Service”,our business mainly focus on the distribution of electronic components. Line cards we deal with include Microchip,ALPS,ROHM,Xilinx,Pulse,ON,Everlight and Freescale. Main products comprise IC,Modules,Potentiometer,IC Socket,Relay,Connector.Our parts cover such applications as commercial,industrial, and automotives areas.

We are looking forward to setting up business relationship with you and hope to provide you with the best service and solution. Let us make a better world for our industry!



Contact us

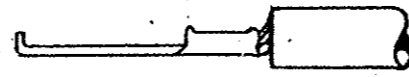
Tel: +86-755-8981 8866 Fax: +86-755-8427 6832

Email & Skype: info@chipsmall.com Web: www.chipsmall.com

Address: A1208, Overseas Decoration Building, #122 Zhenhua RD., Futian, Shenzhen, China

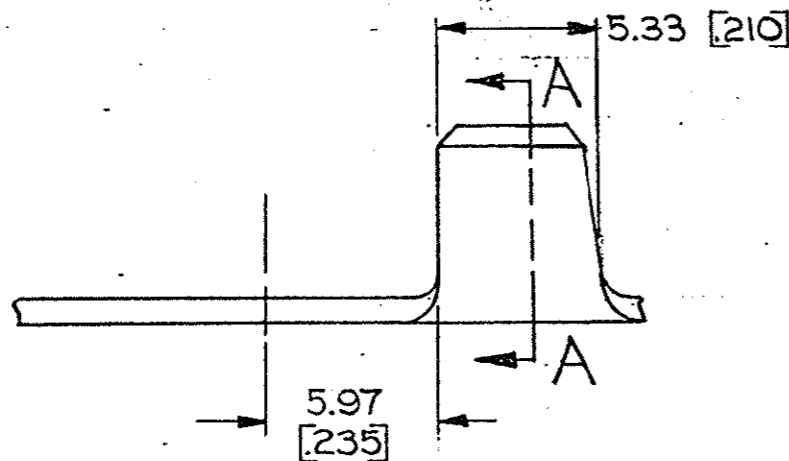
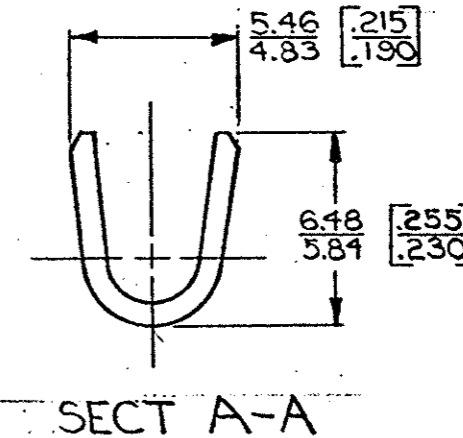
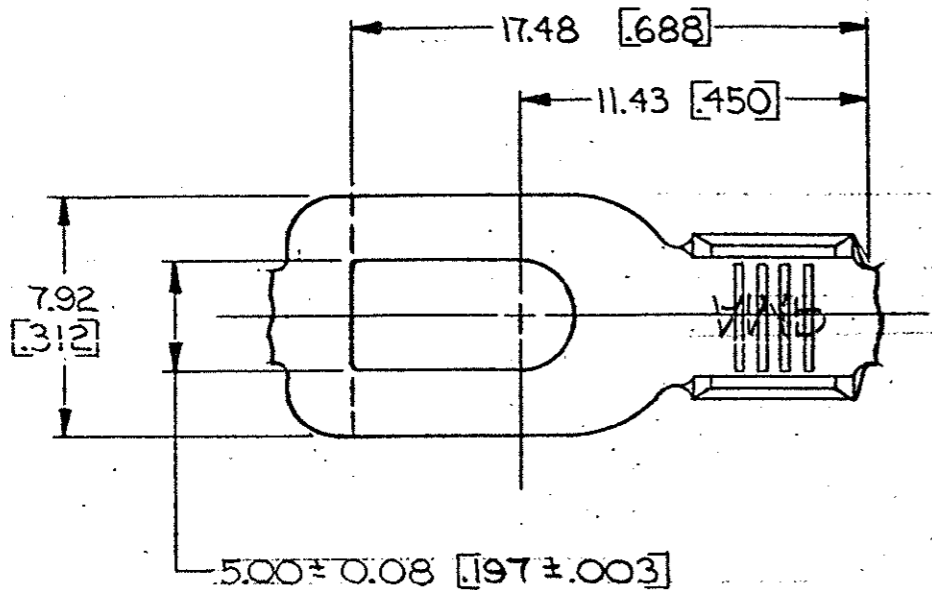


© COPYRIGHT 1968 BY AMP INCORPORATED, HARRISBURG, PA. ALL INTERNATIONAL RIGHTS RESERVED. AMP INCORPORATED PRODUCTS COVERED BY U. S. AND FOREIGN PATENTS AND/OR PATENTS PENDING.



FLANGED IN APPLICATOR

REVISIONS					
P/F	ZONE	LTR	DESCRIPTION	DATE	APPROVED
✓		A	REDRAWN & REVISED A-39431.M.	1/5/78	
✓		B	REVISED AF0169	8/15/84	SR/GY
✓		C	REV PER AF-6785	7/9/90	PMF/GY
✓		D	REV PER OL10-0090-97	20/28/97	PMF/GY
		DI	REVISED NOTE 1 PER ECR-06-007593	3/4/06	MF/DFD



⚠ SUFFIX LETTER MUST BE USED ONLY WHEN ORDERING APPLICATOR TOOLING WITH FLANGING OPTION.
 2. CONTINUOUS STRIP ON REELS.
 3. DIMENSIONS IN BRACKETS ARE IN INCHES

METRIC

#10	3.0-5.0 mm ² [2-10]	TIN	0.76 [030] BRASS	⚠ 41495-A 41495
STUD SIZE	WIRE RANGE	FINISH	MATERIAL	PART NO
UNLESS OTHERWISE SPECIFIED DIMENSIONS ARE IN INCHES mm	CONTRACT NO		AMP INCORPORATED Harrisburg, Pa.	
TOLERANCES ON: DECIMALS ±0.38 [015] ANGLES ±1°	DR A. J. J. 5/1/78	CHK G. Yetter 7/25/78	NAME SPADE	
MATERIAL SEE TABLE	APPR R. P. Franz 8-10-78	APPR E. J. J. 8-10-78	SIZE B	CODE IDENT NO 00779
FINISH SEE TABLE	DSGN APPD	OTHER APPD	DRAWING NO 41495	SHEET
			SCALE	