



Chipsmall Limited consists of a professional team with an average of over 10 year of expertise in the distribution of electronic components. Based in Hongkong, we have already established firm and mutual-benefit business relationships with customers from,Europe,America and south Asia,supplying obsolete and hard-to-find components to meet their specific needs.

With the principle of “Quality Parts,Customers Priority,Honest Operation,and Considerate Service”,our business mainly focus on the distribution of electronic components. Line cards we deal with include Microchip,ALPS,ROHM,Xilinx,Pulse,ON,Everlight and Freescale. Main products comprise IC,Modules,Potentiometer,IC Socket,Relay,Connector.Our parts cover such applications as commercial,industrial, and automotives areas.

We are looking forward to setting up business relationship with you and hope to provide you with the best service and solution. Let us make a better world for our industry!



Contact us

Tel: +86-755-8981 8866 Fax: +86-755-8427 6832

Email & Skype: info@chipsmall.com Web: www.chipsmall.com

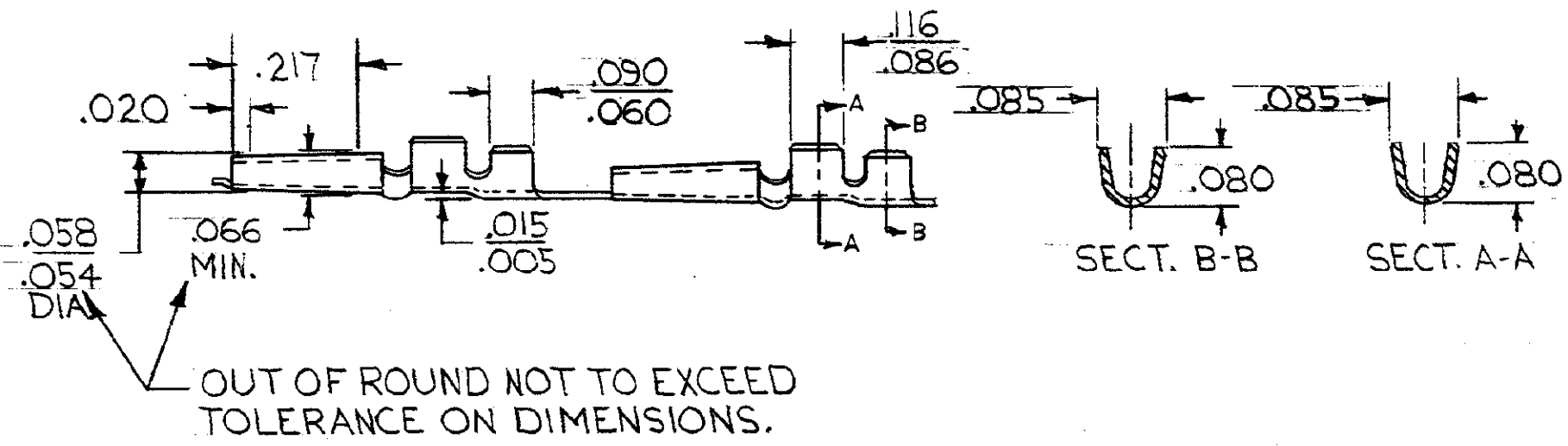
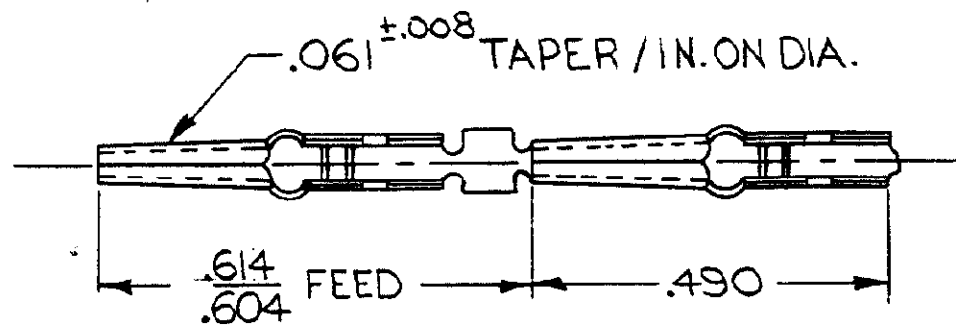
Address: A1208, Overseas Decoration Building, #122 Zhenhua RD., Futian, Shenzhen, China



NUMBER 41278

© 1966 BY AMP INCORPORATED. ALL RIGHTS RESERVED. AMP PRODUCTS COVERED BY PATENTS AND/OR PATENTS PENDING. APPROVED PER GOVT CONTRACT NO.

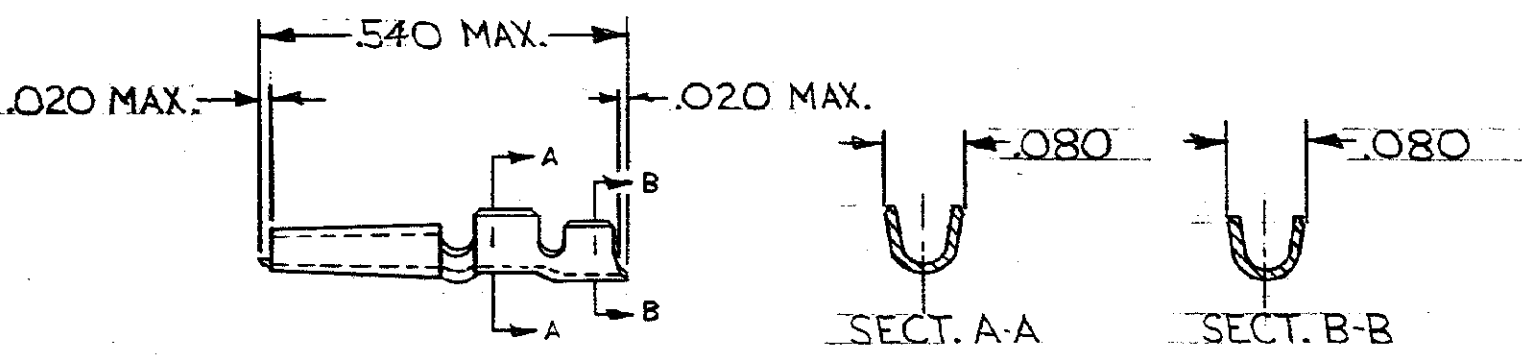
REVISIONS					
SYM	ZONE	DESCRIPTION	DATE	APPROVAL	
V		REVISED & REDRAWN	T-981	8/7/63	M.R.M.
W		REVISED	V-96	6-16-64	M.S. T.H.
Y		REVISED	1385	5-19-67	M.S. T.H.
Z		OBSOLETE 41938, 41862 (2162) 2959		4-2-70	M.S. T.H.
AA		OBSOLETE 41496 PER ECN 3343		2-4-72	J.W. D.H.
AB		PRINT DIST. 12 WAS 39: LOC 5 WAS AB: ECN 7275		9/18/72	C.T.L.
AC		HAND TOOL 48698 WAS 90000		5-3-73	R.C.H.
AD	CS	REACTIVATED 41496	ECN 49	7-8-75	C.P.B.
AE		OBSOLETE 41646-2 & 41663-2	EA 1049	12-29-78	D.S.H.
AF		REVISED PLATING	EA 1515	7-29-80	D.S.
AG		BRIGHT TIN-LEAD WAS BRIGHT TIN	EA 1818	6-16-81	D.S.
AH		REVISED GOLD PLATING	EA 2139	6-15-82	D.S.
AJ		OBS 42526-1 & -2, 42600-2	ECN 53379	11-19-86	R.B.



OUT OF ROUND NOT TO EXCEED TOLERANCE ON DIMENSIONS.

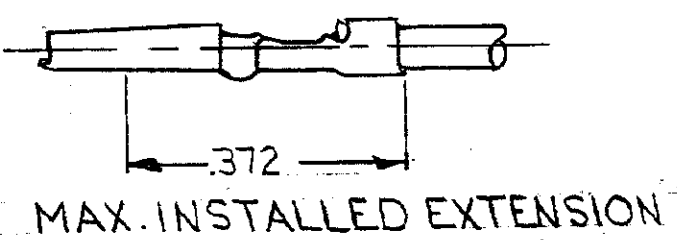
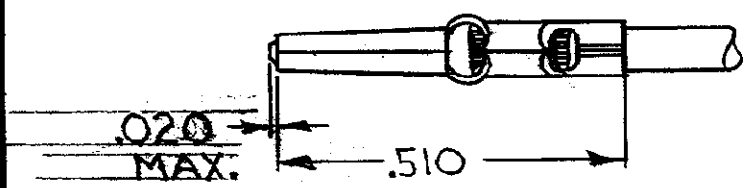
STRIP

⚠ OBSOLETE PART NO.



LOOSE PIECE

OBSOLETE	41646-2	41663-2	24-22	.040-.055	.000020 GOLD OVER .000050 NICKEL	380306-2	48698	.034
	41496	42526-1	↑	.040-.055	PLAIN	380306-2	48698	.034
OBSOLETE	42600-2	42526-2			.0002 GOLD OVER .00005 NICKEL			
	42600-1	42526-3			.00005 GOLD OVER .00005 NICKEL			
OBSOLETE	41862	41938			.0001 GOLD OVER .0001 SILVER			
	41646	41663			.00003 GOLD OVER .00005 NICKEL			
	41640	41662			.0002 SILVER			
	41278	41661	24-22	.040-.055	.0001 BRIGHT TIN-LEAD	380306-2	48698	.034
STRIP NO.	L.P. NO.	WIRE SIZE	INSUL SIZE	FINISH		INSERT TOOL	HAND TOOL	C.H.



CRIMPED VERSION

AMP INFO		QTY REQD	NOMENCLATURE OR DESCRIPTION	PART OR IDENTIFYING NO
M	3	5/2		
LIST OF MATERIALS OR PARTS LIST				
UNLESS OTHERWISE SPECIFIED DIMENSIONS ARE IN INCHES TOLERANCES ON FRACTIONS DECIMALS ANGLES ± .010 ± .010 ± .010			SIGNATURE	DATE
MATERIAL			DR. M.A. Malt	8/7/63
HEAT TREAT			CHK. J. Rambo	8/14/63
			DSGN ENGR. R. L. ...	8/14/63
			APPR. M. ...	8/14/63
			DSGN APPR.	
CODE IDENT. NO.		SIZE	NUMBER	
00779		C	41278	
CALC.		ACTUAL	SHEET	

CUSTOMER DRAWING