



Chipsmall Limited consists of a professional team with an average of over 10 year of expertise in the distribution of electronic components. Based in Hongkong, we have already established firm and mutual-benefit business relationships with customers from,Europe,America and south Asia,supplying obsolete and hard-to-find components to meet their specific needs.

With the principle of “Quality Parts,Customers Priority,Honest Operation,and Considerate Service”,our business mainly focus on the distribution of electronic components. Line cards we deal with include Microchip,ALPS,ROHM,Xilinx,Pulse,ON,Everlight and Freescale. Main products comprise IC,Modules,Potentiometer,IC Socket,Relay,Connector.Our parts cover such applications as commercial,industrial, and automotives areas.

We are looking forward to setting up business relationship with you and hope to provide you with the best service and solution. Let us make a better world for our industry!



Contact us

Tel: +86-755-8981 8866 Fax: +86-755-8427 6832

Email & Skype: info@chipsmall.com Web: www.chipsmall.com

Address: A1208, Overseas Decoration Building, #122 Zhenhua RD., Futian, Shenzhen, China



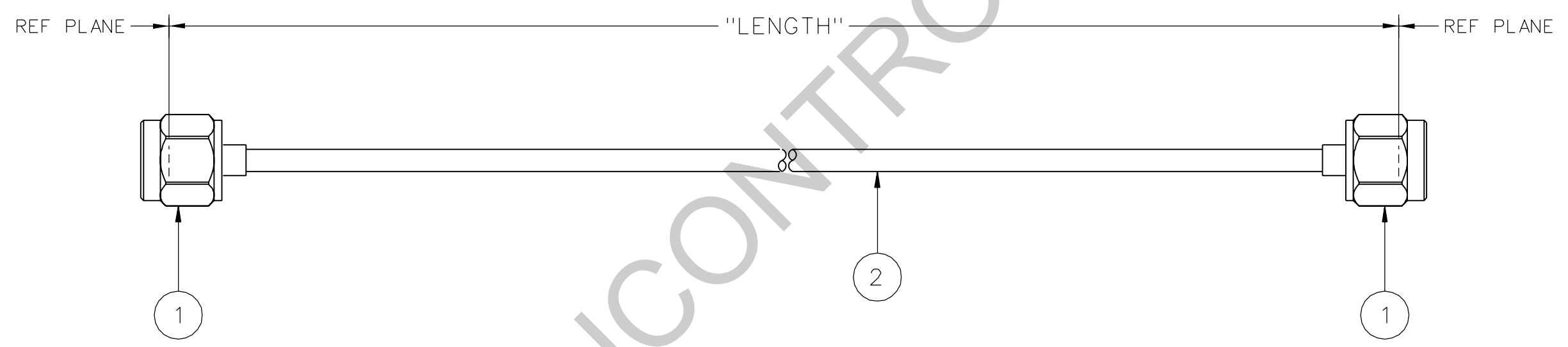
PART NUMBER 415-0081-001/999	ITEM ① SMA STR SOLDER PLUG BODY - BRASS GOLD PL .00001 MIN OVER NICKEL PL OVER COPPER PL COUPLING NUT - BRASS GOLD PL .00001 MIN OVER NICKEL PL OVER COPPER PL CONTACT - BRASS GOLD PL .00005 MIN OVER NICKEL PL OVER COPPER PL INSULATOR - TEFLON C-SPRING - BERYLLIUM COPPER UNPLATED	ITEM ② CABLE .086 CONFORMABLE SHIELD - TIN FILLED COPPER BRAID OVER COPPER FOIL DIELECTRIC- TEFLON CENTER CONDUCTOR - STEEL SILVER PLATED OVER COPPER PLATING
---------------------------------	--	---

DRAWING NO. B-415-0081-001/999	
0	REVISIONS
ENGINEERING RELEASE	
1	9-16-05 RJB JCN JHZ 11-3-05 ECN 49890
VERSION UPDATE	
2	12-9-05 PAT RJB JHZ JCN 12-21-05 ECN 50040
ADD CUSTOMER DRAWING	
3	7-10-06 PAT MAK JJU 8-15-06 ECN 50529
VERSION UPDATE	

* REVISION NUMBER FOLLOWED BY AN ALPHA *	
* CHARACTER INDICATES DRAWING CLARIFI-	
* CATION OR PART NUMBER ADDITION ONLY. *	

3a	10-17-08 PAT RJB MJU RB JCN 10-20-08 ECN 51691

PART NUMBER	"LENGTH"	NOMINAL ELECTRICAL DELAY (nS)	INSERTION LOSS (MAX dB) Vs. FREQUENCY (GHz)						VSWR (MAX) Vs. FREQUENCY f (GHz)		
			0 TO 1	1 TO 2	2 TO 4	4 TO 6	6 TO 12	12 TO 18	0 TO 1	1 TO 2	2 TO 18
415-0081-003	3.00±.05	0.36	0.12	0.17	0.24	0.29	0.41	0.51	1.06	1.10	1.1+.01f
415-0081-004	4.00±.05	0.49	0.14	0.20	0.29	0.35	0.49	0.60			
415-0081-005	5.00±.10	0.61	0.17	0.23	0.33	0.40	0.57	0.70			
415-0081-006	6.00±.10	0.73	0.19	0.26	0.38	0.46	0.65	0.79			
415-0081-007	7.00±.10	0.85	0.21	0.30	0.42	0.51	0.72	0.89			
415-0081-008	8.00±.10	0.97	0.23	0.33	0.47	0.57	0.80	0.98			
415-0081-012	12.00±.15	1.46	0.32	0.45	0.65	0.79	1.11	1.36			
415-0081-018	18.00±.15	2.19	0.46	0.64	0.92	1.12	1.58	1.93			
415-0081-024	24.00±.15	2.92	0.59	0.83	1.19	1.45	2.04	2.49			



NOTES:
1. SPECIFICATIONS:
FREQUENCY: 0-18 GHz
VSWR: (SEE P/N BLOCK)
INSERTION LOSS: (SEE P/N BLOCK)
DIELECTRIC WITHSTANDING VOLTAGE: 1000 VRMS
WORKING VOLTAGE: 335 VRMS

TOLERANCE UNLESS OTHERWISE SPECIFIED	DRAWN BY RJB	DATE 8-17-05
DECIMALS .XX _____ mm	CHECKED BY JCN	DATE 9-26-05
.XXX _____	APPROVED BY JHZ	DATE 9-27-05
MATL _____	RELEASE DATE 11-3-05	
FINISH _____	U/M INCH	SCALE 2:1

cinch Connectivity Solutions
a bel group

Cinch Connectivity Solutions
P.O. Box 1732
Waseca, MN 56093
1-800-247-8256

TITLE
CABLE ASSEMBLY, STR SMA
PLUG TO STR SMA PLUG,
.086 CONFORMABLE

SHEET 2 OF 2
DRAWING NO.
B-415-0081-001/999

CUSTOMER DRAWING

THIS DRAWING TO BE INTERPRETED
PER ASME Y 14.5M - 1994

"μ STATION"

COMPANY CONFIDENTIAL