



Chipsmall Limited consists of a professional team with an average of over 10 year of expertise in the distribution of electronic components. Based in Hongkong, we have already established firm and mutual-benefit business relationships with customers from,Europe,America and south Asia,supplying obsolete and hard-to-find components to meet their specific needs.

With the principle of “Quality Parts,Customers Priority,Honest Operation,and Considerate Service”,our business mainly focus on the distribution of electronic components. Line cards we deal with include Microchip,ALPS,ROHM,Xilinx,Pulse,ON,Everlight and Freescale. Main products comprise IC,Modules,Potentiometer,IC Socket,Relay,Connector.Our parts cover such applications as commercial,industrial, and automotives areas.

We are looking forward to setting up business relationship with you and hope to provide you with the best service and solution. Let us make a better world for our industry!



## Contact us

Tel: +86-755-8981 8866 Fax: +86-755-8427 6832

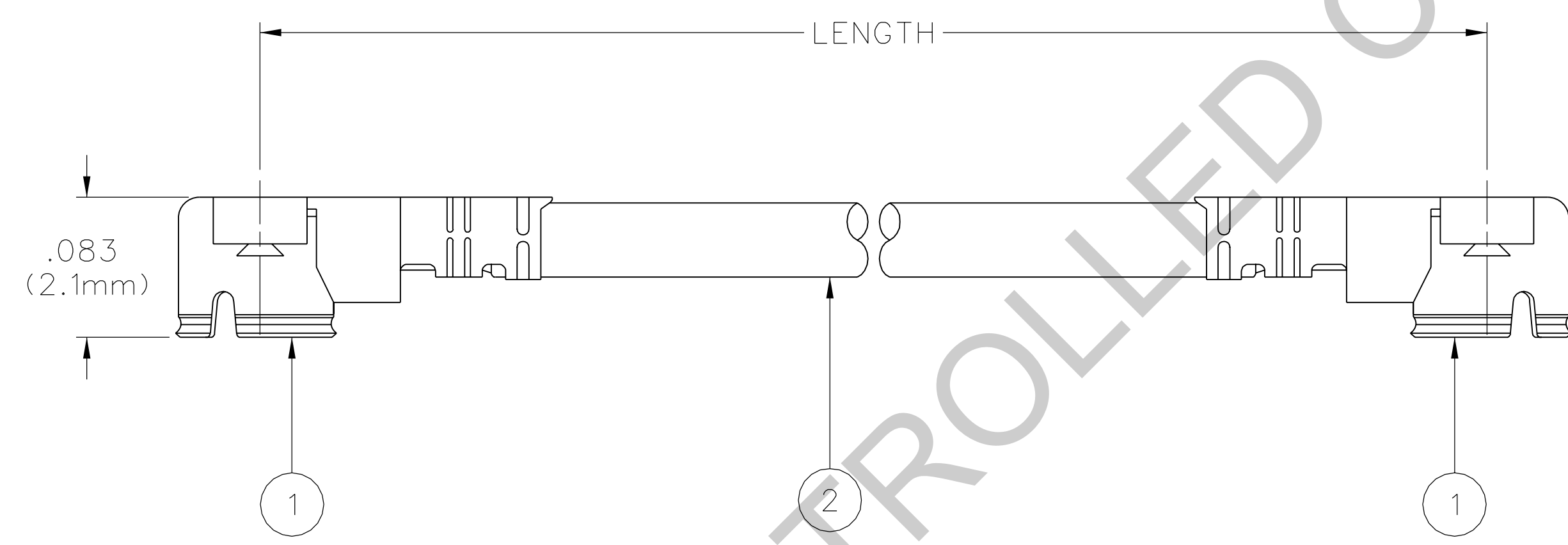
Email & Skype: info@chipsmall.com Web: www.chipsmall.com

Address: A1208, Overseas Decoration Building, #122 Zhenhua RD., Futian, Shenzhen, China



PART NUMBER	LENGTH		ITEM ①	ITEM ②
	INCH	mm	UMC RIGHT ANGLE PLUG CONNECTOR, MEDIUM PROFILE	CABLE
415-0086-050	1.97±.16	50±4	BODY - COPPER ALLOY- GOLD PLATED	SHIELD - TIN PLATED ANNEALED COPPER WIRE
415-0086-100	3.94±.16	100±4	CONTACT - COPPER ALLOY - GOLD PLATED	DIELECTRIC - FEP
415-0086-150	5.91±.16	150±4	INSULATOR - PBT - BLACK, UL94V-0	CENTER CONDUCTOR - SILVER PLATED ANNEALED COPPER WIRE, AWG#32 (7/.003)
415-0086-200	7.87±.16	200±4		JACKET - FEP - BLACK
415-0086-250	9.84±.31	250±8		
415-0086-300	11.81±.31	300±8		
415-0086-500	19.69±.31	500±8		

DRAWING NO. B-415-0086-001/999	
0	REVISIONS
ENGINEERING RELEASE	
1	10-20-06 P A T S B D R J B P D W 12-20-06 ECN 50731
VERSION UPDATE ***** * REVISION NUMBER FOLLOWED BY AN ALPHA * * CHARACTER INDICATES DRAWING CLARIFI- * CATION OR PART NUMBER ADDITION ONLY. * *****	
1a	2-20-07 P A T S B D R J B M J U J C N 4-23-07 ECN 50952
ADD MEDIUM PROFILE TO ITEM 1 BLOCK CHANGE BODY MATERIAL TO COPPER ALLOY CHANGE CONTACT MATERIAL TO COPPER ALLOY CHANGE INSULATOR COLOR TO BLACK CHANGE INSULATOR COLOR TO PBT CHANGE SHIELD MATERIAL TO TIN PLATED	
1b	2-7-11 M S S D J R J B M S 2-7-11 ECO 52913



NOTES:

1. SPECIFICATIONS:

IMPEDANCE: 50 OHMS  
 FREQUENCY RANGE: 0-6 GHz  
 VSWR: 1.30 MAX AT 0-3 GHz  
 1.50 MAX AT 3-6 GHz  
 WITHSTANDING VOLTAGE: 200 V AC  
 INSULATION RESISTANCE: 500 MEGOHM MIN  
 CONTACT RESISTANCE:  
 CENTER CONTACT - 20 MILLI-OHMS MAX  
 OUTER CONDUCTOR - 20 MILLI-OHMS MAX

MECHANICAL:

COMPATIBILITY: MATES WITH U.FL SERIES  
 HOLDING FORCE (MIN): 0.15 N (FEMALE CONTACT)  
 DURABILITY: 30 CYCLES

ENVIRONMENTAL:

TEMPERATURE RANGE: -40°C TO +90°C


CUSTOMER DRAWING

THIS DRAWING TO BE INTERPRETED  
PER ASME Y 14.5M - 1994

"μSTATION"

COMPANY CONFIDENTIAL

TOLERANCE UNLESS OTHERWISE SPECIFIED	DRAWN BY PAT	DATE 5-23-06
DECIMALS .XX	CHECKED BY RJB	DATE 12-13-06
mm _____	APPROVED BY PDW	DATE 12-19-06
.XXX ±.004	RELEASE DATE 12-20-06	
MATL _____	U/M INCH	SCALE 10:1
FINISH _____		

 <b>Cinch</b> CONNECTIVITY SOLUTIONS a bel group	<b>Cinch Connectivity Solutions</b> P.O. Box 1732 Waseca, MN 56093 1-800-247-8256	
	TITLE UMC MATING CABLE PLUG .098 (2.5mm) MATING HEIGHT .044 (1.13mm) CABLE O.D.	
SHEET 2 OF 2	DRAWING NO. B-415-0086-001/999	