



Chipsmall Limited consists of a professional team with an average of over 10 year of expertise in the distribution of electronic components. Based in Hongkong, we have already established firm and mutual-benefit business relationships with customers from,Europe,America and south Asia,supplying obsolete and hard-to-find components to meet their specific needs.

With the principle of "Quality Parts,Customers Priority,Honest Operation,and Considerate Service",our business mainly focus on the distribution of electronic components. Line cards we deal with include Microchip,ALPS,ROHM,Xilinx,Pulse,ON,Everlight and Freescale. Main products comprise IC,Modules,Potentiometer,IC Socket,Relay,Connector.Our parts cover such applications as commercial,industrial, and automotives areas.

We are looking forward to setting up business relationship with you and hope to provide you with the best service and solution. Let us make a better world for our industry!



## Contact us

Tel: +86-755-8981 8866 Fax: +86-755-8427 6832

Email & Skype: info@chipsmall.com Web: www.chipsmall.com

Address: A1208, Overseas Decoration Building, #122 Zhenhua RD., Futian, Shenzhen, China



| PART NUMBER  | LENGTH    |       | ITEM ①   | ITEM ②   |
|--------------|-----------|-------|--|--|
|              | INCH      | mm    | UMC RIGHT ANGLE PLUG CONNECTOR, MEDIUM PROFILE | CABLE  |
| 415-0087-050 | 1.97±.16  | 50±4  | BODY - COPPER ALLOY - GOLD PLATED              | FIRST SHIELD - SILVER PLATED ANNEALED COPPER WIRE                      |
| 415-0087-100 | 3.94±.16  | 100±4 | CONTACT - COPPER ALLOY - GOLD PLATED           | SECOND SHIELD - SILVER PLATED ANNEALED COPPER WIRE                     |
| 415-0087-150 | 5.91±.16  | 150±4 | INSULATOR - PBT - BLACK, UL94V-0               | DIELECTRIC - FEP   |
| 415-0087-200 | 7.87±.16  | 200±4 |  | CENTER CONDUCTOR - SILVER PLATED ANNEALED COPPER WIRE, AWG#32 (7/.003) |
| 415-0087-250 | 9.84±.31  | 250±8 |  | JACKET - FEP - BLACK   |
| 415-0087-300 | 11.81±.31 | 300±8 |  |  |
| 415-0087-500 | 19.69±.31 | 500±8 |  |  |

DRAWING NO. B-415-0087-001/999

0 REVISIONS

ENGINEERING RELEASE

|   |          |             |             |             |             |                       |
|---|----------|-------------|-------------|-------------|-------------|-----------------------|
| 1 | 10-23-06 | P<br>A<br>T | S<br>B<br>D | R<br>J<br>B | P<br>D<br>W | 12-20-06<br>ECN 50729 |
|---|----------|-------------|-------------|-------------|-------------|-----------------------|

.082 WAS .083, INSULATOR: BLACK WAS WHITE

\*\*\*\*\*  
 \* REVISION NUMBER FOLLOWED BY AN ALPHA \*  
 \* CHARACTER INDICATES DRAWING CLARIFICATION OR PART NUMBER ADDITION ONLY. \*  
 \*\*\*\*\*

|    |         |             |             |             |             |             |                     |
|----|---------|-------------|-------------|-------------|-------------|-------------|---------------------|
| 1a | 1-11-07 | P<br>A<br>T | S<br>B<br>D | R<br>J<br>B | M<br>J<br>C | J<br>U<br>N | 2-8-07<br>ECN 50908 |
|----|---------|-------------|-------------|-------------|-------------|-------------|---------------------|

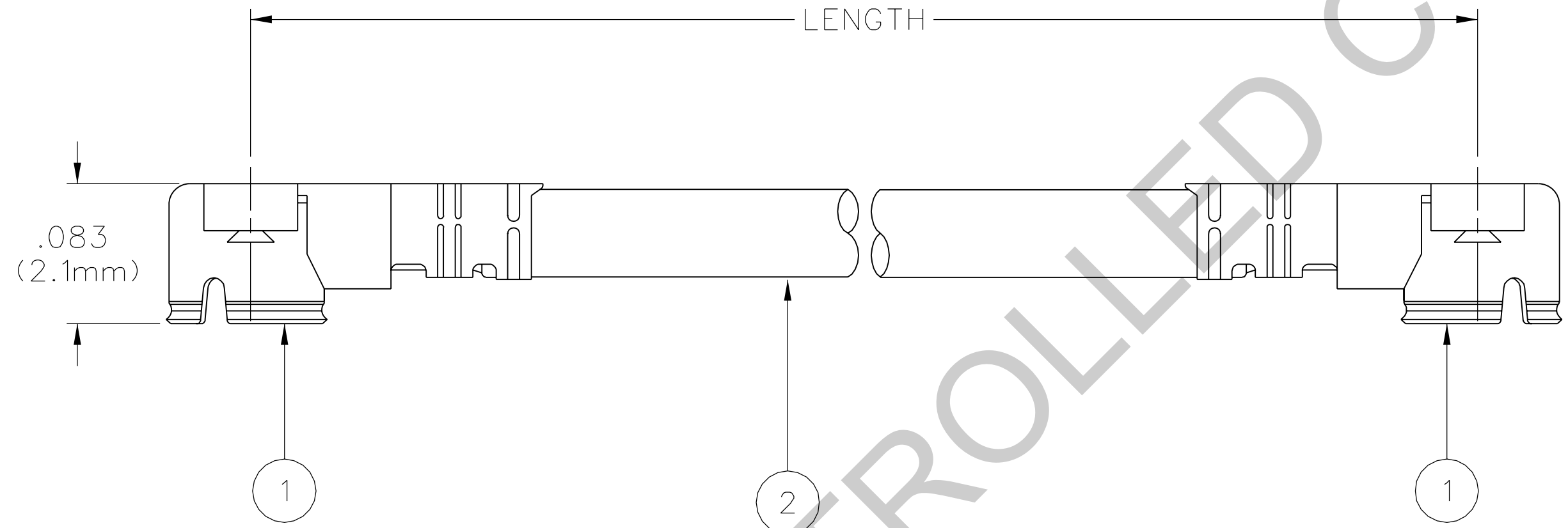
VERSION UPDATE

\*\*\*\*\*  
 \* REVISION NUMBER FOLLOWED BY AN ALPHA \*  
 \* CHARACTER INDICATES DRAWING CLARIFICATION OR PART NUMBER ADDITION ONLY. \*  
 \*\*\*\*\*

|    |         |             |             |             |             |             |                      |
|----|---------|-------------|-------------|-------------|-------------|-------------|----------------------|
| 1b | 2-26-07 | P<br>A<br>T | S<br>B<br>D | R<br>J<br>B | M<br>J<br>C | J<br>U<br>N | 4-23-07<br>ECN 50952 |
|----|---------|-------------|-------------|-------------|-------------|-------------|----------------------|

ADD MEDIUM PROFILE TO ITEM 1 BLOCK  
 CHANGE BODY MATERIAL TO COPPER ALLOY  
 CHANGE CONTACT MATERIAL TO COPPER ALLOY  
 CHANGE INSULATOR MATERIAL TO PBT  
 ADD TEXT SECOND SHIELD - SILVER PLATED ANNEALED COPPER WIRE  
 CHANGE CONTACT HEIGHT TO .083

|    |        |        |             |             |        |  |                     |
|----|--------|--------|-------------|-------------|--------|--|---------------------|
| 1c | 2-7-11 | M<br>S | S<br>D<br>J | R<br>J<br>B | M<br>S |  | 2-7-11<br>ECO 52914 |
|----|--------|--------|-------------|-------------|--------|--|---------------------|



NOTES:

1. SPECIFICATIONS:

IMPEDANCE: 50 OHMS  
 FREQUENCY RANGE: 0-6 GHz  
 VSWR: 1.30 MAX AT 0-3 GHz  
 1.50 MAX AT 3-6 GHz

WITHSTANDING VOLTAGE: 200 V AC  
 INSULATION RESISTANCE: 500 MEGOHM MIN  
 CONTACT RESISTANCE:  
 CENTER CONTACT - 20 MILLI-OHMS MAX  
 OUTER CONDUCTOR - 20 MILLI-OHMS MAX

MECHANICAL:

COMPATIBILITY: MATES WITH U.FL SERIES  
 HOLDING FORCE (MIN): 0.15 N (FEMALE CONTACT)  
 DURABILITY: 30 CYCLES

ENVIRONMENTAL:

TEMPERATURE RANGE: -40°C TO +90°C

UNCONTROLLED COPY

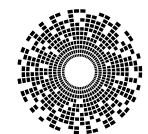
CUSTOMER DRAWING

THIS DRAWING TO BE INTERPRETED PER ASME Y 14.5M - 1994

"μSTATION"

COMPANY CONFIDENTIAL

|                                      |                          |                  |
|--------------------------------------|--------------------------|------------------|
| TOLERANCE UNLESS OTHERWISE SPECIFIED | DRAWN BY<br>PAT          | DATE<br>5-23-06  |
| DECIMALS<br>.XX _____                | CHECKED BY<br>RJB        | DATE<br>12-13-06 |
| mm<br>_____                          | APPROVED BY<br>PDW       | DATE<br>12-19-06 |
| .XXX ±.004 _____                     | RELEASE DATE<br>12-20-06 |                  |
| MATL<br>_____                        | U/M INCH                 | SCALE 10:1       |
| FINISH<br>_____                      |                          |                  |

|   |  |  |
|---|--|--|
|  <b>cinch</b><br><small>CONNECTIVITY SOLUTIONS</small><br><small>a bel group</small> | <b>Cinch Connectivity Solutions</b><br>P.O. Box 1732<br>Waseca, MN 56093<br>1-800-247-8256 |  |
|   | TITLE<br>UMC MATING CABLE PLUG<br>.098 (2.5mm) MATING HEIGHT<br>.052 (1.32mm) CABLE O.D.   |  |
| SHEET<br>2 OF 2   | DRAWING NO.<br>B-415-0087-001/999  |  |