



Chipsmall Limited consists of a professional team with an average of over 10 year of expertise in the distribution of electronic components. Based in Hongkong, we have already established firm and mutual-benefit business relationships with customers from,Europe,America and south Asia,supplying obsolete and hard-to-find components to meet their specific needs.

With the principle of “Quality Parts,Customers Priority,Honest Operation,and Considerate Service”,our business mainly focus on the distribution of electronic components. Line cards we deal with include Microchip,ALPS,ROHM,Xilinx,Pulse,ON,Everlight and Freescale. Main products comprise IC,Modules,Potentiometer,IC Socket,Relay,Connector.Our parts cover such applications as commercial,industrial, and automotives areas.

We are looking forward to setting up business relationship with you and hope to provide you with the best service and solution. Let us make a better world for our industry!



Contact us

Tel: +86-755-8981 8866 Fax: +86-755-8427 6832

Email & Skype: info@chipsmall.com Web: www.chipsmall.com

Address: A1208, Overseas Decoration Building, #122 Zhenhua RD., Futian, Shenzhen, China



PART NUMBER	LENGTH	
	INCH	mm
415-0088-050	1.97±.16	50±4
415-0088-083	3.27±.16	83±4
415-0088-100	3.94±.16	100±4
415-0088-150	5.91±.16	150±4
415-0088-200	7.87±.16	200±4
415-0088-250	9.84±.31	250±8
415-0088-300	11.81±.31	300±8
415-0088-500	19.69±.31	500±8
415-0088-1220	48.03±.71	1220±18

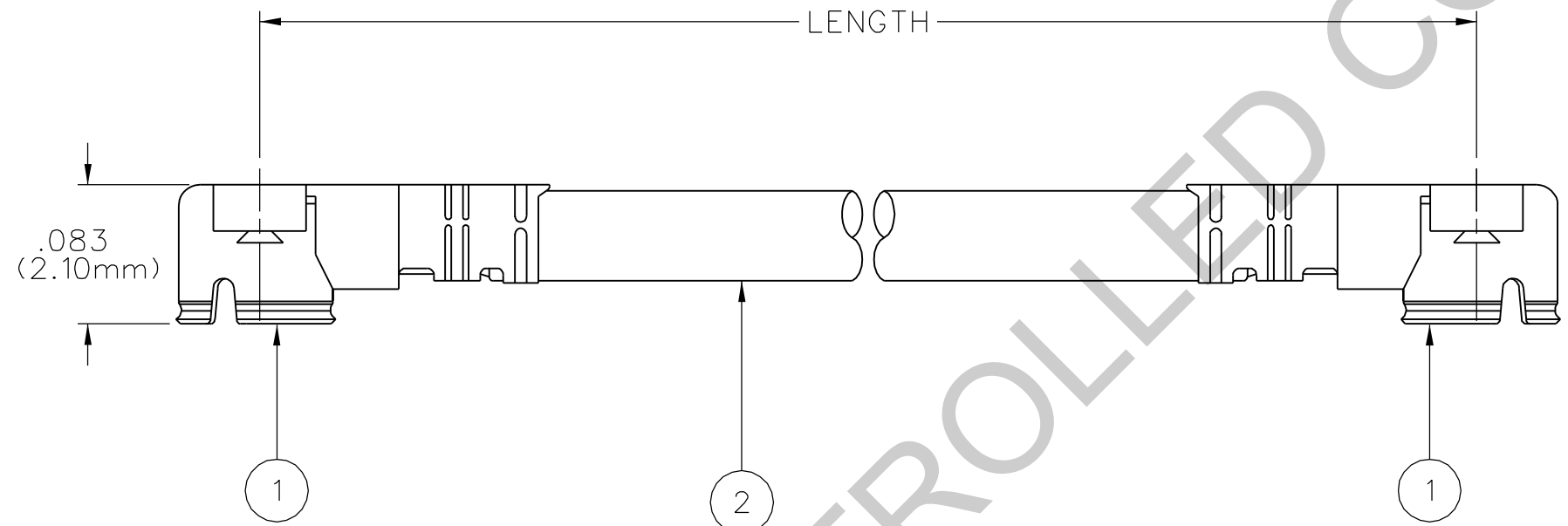
ITEM ①
 UMC RIGHT ANGLE PLUG CONNECTOR, MEDIUM PROFILE
 BODY - COPPER ALLOY - GOLD PLATED
 CONTACT - COPPER ALLOY - GOLD PLATED
 INSULATOR - PBT - BLACK OR NATURAL WHITE, UL94V-0

ITEM ②
 CABLE
 SHIELD - TIN PLATED ANNEALED COPPER WIRE
 DIELECTRIC - FEP
 CENTER CONDUCTOR - SILVER PLATED ANNEALED COPPER WIRE, AWG#30 (7/.004)
 JACKET - FEP - BLACK

DRAWING NO.
 B - 415-0088-001/XXXX
 0 REVISIONS
 JACKET - FEP - BLACK WAS WHITE

 * REVISION NUMBER FOLLOWED BY AN ALPHA *
 * CHARACTER INDICATES DRAWING CLARIFI- *
 * CATION OR PART NUMBER ADDITION ONLY. *

 1b 3-26-07 PAT 4-23-07
 S R M J
 B B J C
 D B U N
 ECN 50953



 * REVISION NUMBER FOLLOWED BY AN ALPHA *
 * CHARACTER INDICATES DRAWING CLARIFI- *
 * CATION OR PART NUMBER ADDITION ONLY. *

 1c 1-21-08 PAT 1-25-08
 S R M J
 B B J C
 D B U N
 ECN 51347
 ADD MEDIUM PROFILE TO ITEM 1 BLOCK
 CHANGE INSULATOR COLOR TO NATURAL WHIT
 CHANGE SHIELD MATERIAL TO TIN PLATED
 CHANGE CONNECTOR HEIGHT TO .083
 1d 2-7-11 MS 2-7-11
 S D R M
 J B J S
 U B U
 ECO 52915
 ADDED: BLACK. DELETED VENDOR REFERENCE
 +/- .006 WAS +/- .004
 2 10-3-12 MS 10-17-12
 S B J U
 ECO 54381
 ADDED P/N 415-0088-1220
 3 11-26-12 MS 10-27-12
 S B S M
 J B J U
 ECO 54479

NOTES:
 1. SPECIFICATIONS:
 IMPEDANCE: 50 OHMS
 FREQUENCY RANGE: 0-6 GHz
 VSWR: 1.30 MAX AT 0-3 GHz
 1.50 MAX AT 3-6 GHz
 WITHSTANDING VOLTAGE: 200 V AC
 INSULATION RESISTANCE: 500 MEGOHM MIN
 CONTACT RESISTANCE:
 CENTER CONTACT - 20 MILLI-OHMS MAX
 OUTER CONDUCTOR - 20 MILLI-OHMS MAX
 MECHANICAL:
 COMPATIBILITY: MATES WITH U.FL SERIES
 HOLDING FORCE (MIN): 0.15 N (FEMALE CONTACT)
 DURABILITY: 30 CYCLES
 ENVIRONMENTAL:
 TEMPERATURE RANGE: -40° C TO +90° C

CUSTOMER DRAWING
 THIS DRAWING TO BE INTERPRETED
 PER ASME Y 14.5M - 1994
 "μSTATION"
 COMPANY CONFIDENTIAL

TOLERANCE UNLESS OTHERWISE SPECIFIED		DRAWN BY	DATE
DECIMALS	mm	PAT	5-23-06
.XX _____	±0.15	CHECKED BY	DATE
.XXX ±.006	_____	RJB	12-13-06
MATL _____		APPROVED BY	DATE
		PDW	12-20-06
FINISH _____		RELEASE DATE	12-20-06
		U/M INCH	SCALE 10:1

cinch Cinch Connectivity Solutions
 CONNECTIVITY SOLUTIONS P.O. Box 1732
 a bel group Waseca, MN 56093
 1-800-247-8256

TITLE UMC MATING CABLE PLUG
 .098 (2.5mm) MATING HEIGHT
 .054 (1.37mm) CABLE O.D.

SHEET 2 OF 2 DRAWING NO. B - 415-0088-001/XXXX