



Chipsmall Limited consists of a professional team with an average of over 10 year of expertise in the distribution of electronic components. Based in Hongkong, we have already established firm and mutual-benefit business relationships with customers from,Europe,America and south Asia,supplying obsolete and hard-to-find components to meet their specific needs.

With the principle of “Quality Parts,Customers Priority,Honest Operation,and Considerate Service”,our business mainly focus on the distribution of electronic components. Line cards we deal with include Microchip,ALPS,ROHM,Xilinx,Pulse,ON,Everlight and Freescale. Main products comprise IC,Modules,Potentiometer,IC Socket,Relay,Connector.Our parts cover such applications as commercial,industrial, and automotives areas.

We are looking forward to setting up business relationship with you and hope to provide you with the best service and solution. Let us make a better world for our industry!



## Contact us

Tel: +86-755-8981 8866 Fax: +86-755-8427 6832

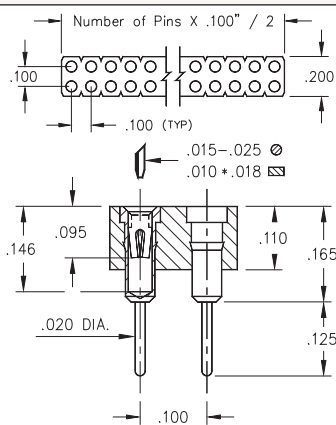
Email & Skype: info@chipsmall.com Web: www.chipsmall.com

Address: A1208, Overseas Decoration Building, #122 Zhenhua RD., Futian, Shenzhen, China

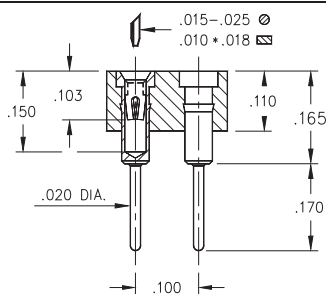


# INTERCONNECTS

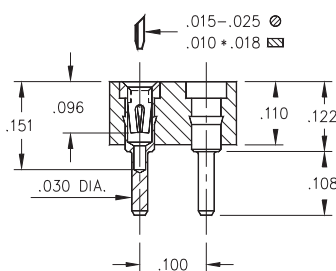
## SERIES 410, 411, 415 • .100" GRID SOLDER TAIL • DOUBLE ROW STRIPS



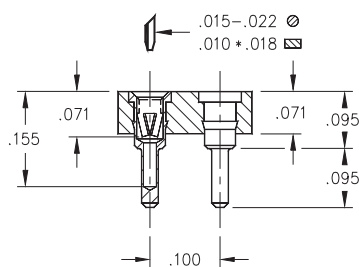
**FIG. 1**



**FIG. 2**



**FIG. 3**



**FIG. 4**

- Series 41X double row strip sockets are on .100" grid
- Various solder tails available: standard length, long for multi-layer boards, very low and ultra low profile. See Mill-Max #1001, #0134, #0501 or #1534 pins. See pages 161, 162 and 165 for details
- Hi-Rel, 4-finger BeCu #12 and #30 contact are rated at 3 amps. See pages 252 and 253 for details
- Insulators are high temperature thermoplastic, suitable for all soldering operations



### ORDERING INFORMATION

	Series 410...001	Standard Solder Tail					
<b>FIG. 1</b>	410-XX-2	-41-001000 Specify number of pins → 04-64					
	<b>Series 411...001</b>	<b>Long Solder Tail</b>					
<b>FIG. 2</b>	411-XX-2	-41-001000 Specify number of pins → 04-64					
	<b>Series 415...001</b>	<b>Very Low Profile</b>					
<b>FIG. 3</b>	415-XX-2	-41-001000 Specify number of pins → 04-64					
	<b>Series 415...003</b>	<b>Ultra Low Profile</b>					
<b>FIG. 4</b>	415-XX-2	-41-003000 Specify number of pins → 04-64					
<div style="display: flex; justify-content: space-around; align-items: center;"> <div style="border: 1px solid black; padding: 5px; background-color: #90EE90;">RoHS-2 2011/65/EU</div> <div style="border: 1px solid black; border-radius: 50%; padding: 5px;">XX=Plating Code See Below</div> <div style="border: 1px solid black; border-radius: 50%; padding: 5px;">For Electrical, Mechanical &amp; Environmental Data, See page 264</div> </div>							
<b>SPECIFY PLATING CODE XX=</b>							
	11	13	91	93	41	43	
Sleeve (Pin)	10 μ" Au	10 μ" Au	200 μ" Sn/Pb	200 μ" Sn/Pb	200 μ" Sn	200 μ" Sn	
Contact (Clip)	10 μ" Au	30 μ" Au	10 μ" Au	30 μ" Au	10 μ" Au	30 μ" Au	

