



Chipsmall Limited consists of a professional team with an average of over 10 year of expertise in the distribution of electronic components. Based in Hongkong, we have already established firm and mutual-benefit business relationships with customers from,Europe,America and south Asia,supplying obsolete and hard-to-find components to meet their specific needs.

With the principle of “Quality Parts,Customers Priority,Honest Operation,and Considerate Service”,our business mainly focus on the distribution of electronic components. Line cards we deal with include Microchip,ALPS,ROHM,Xilinx,Pulse,ON,Everlight and Freescale. Main products comprise IC,Modules,Potentiometer,IC Socket,Relay,Connector.Our parts cover such applications as commercial,industrial, and automotives areas.

We are looking forward to setting up business relationship with you and hope to provide you with the best service and solution. Let us make a better world for our industry!



## Contact us

Tel: +86-755-8981 8866 Fax: +86-755-8427 6832

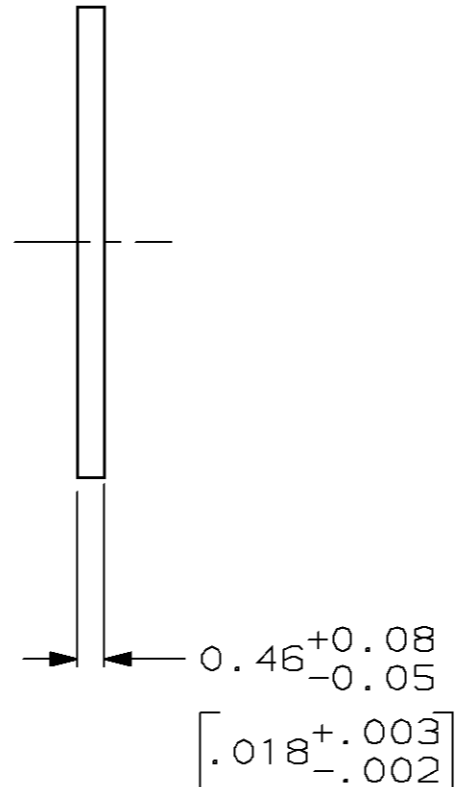
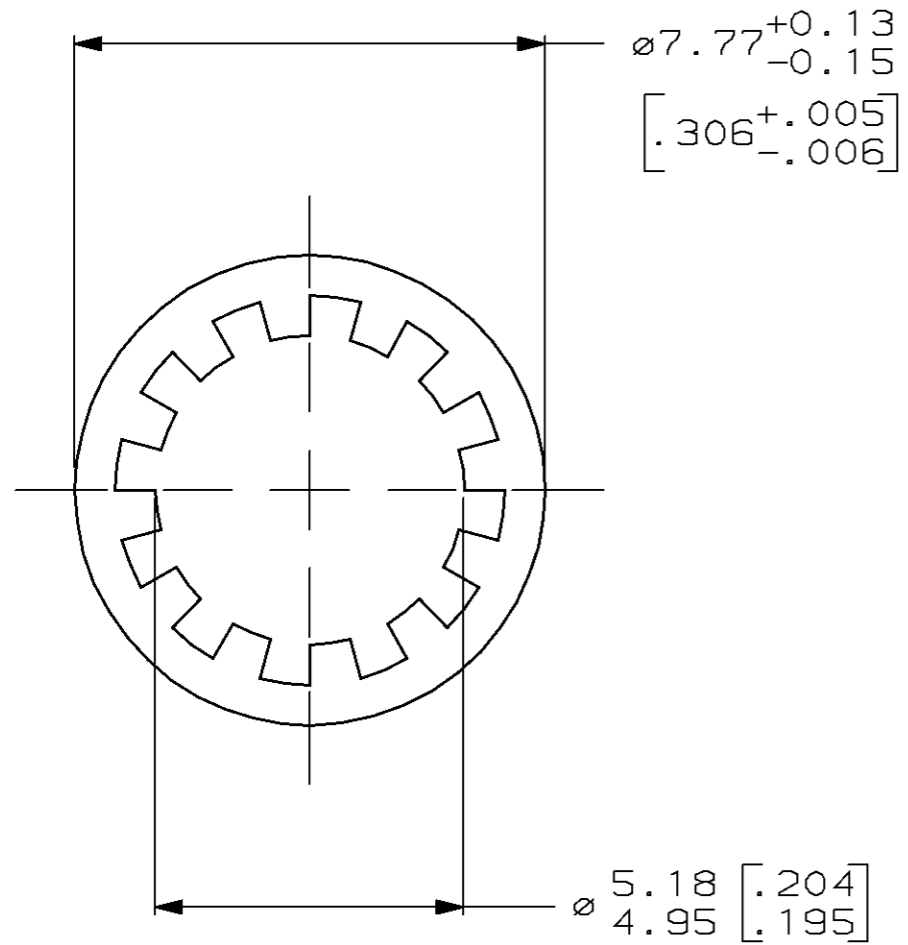
Email & Skype: info@chipsmall.com Web: www.chipsmall.com

Address: A1208, Overseas Decoration Building, #122 Zhenhua RD., Futian, Shenzhen, China



THIS DRAWING IS UNPUBLISHED. RELEASED FOR PUBLICATION, 19 .  
 © COPYRIGHT 19 BY AMP INCORPORATED. ALL RIGHTS RESERVED.

LOC	DIST	REVISIONS					
		P	LTR	DESCRIPTION	DATE	DWN	APVD
AJ	16		0	RELEASED CUSTOMER DRAWING PER 0503-0324-97	2-3-97	JG	SB
			A	REVISED PER 0503-0603-97	9-30-97	JG	SB



- 1 MATERIAL: PHOSPHOR BRONZE PER (QQ-B-750)
- 2 2.54  $\mu\text{m}$  [.000100] MIN THK NICKEL PLATE OVER  
1.27  $\mu\text{m}$  [.000050] MIN THK COPPER PLATE
- 3 0.76  $\mu\text{m}$  [.000030] MIN THK GOLD PLATE OVER  
2.54  $\mu\text{m}$  [.000100] MIN THK NICKEL PLATE OVER  
1.27  $\mu\text{m}$  [.000050] MIN THK COPPER PLATE

3	415001-3
2	415001-2
FINISH	PART NUMBER

THIS DRAWING IS A CONTROLLED DOCUMENT.		DWN J.L.GROFT	AMP Incorporated Harrisburg, PA 17105-3608	
DIMENSIONS: mm [INCHES]		CHK S.W.BURHOLDER		
TOLERANCES UNLESS OTHERWISE SPECIFIED:		APVD S.W.BURHOLDER	NAME LOCKWASHER	
0 PLC ±- 1 PLC ±- 2 PLC ±- 3 PLC ±- 4 PLC ±- ANGLES ±-		PRODUCT SPEC -	DRAWING NO C-415001	
MATERIAL 1		FINISH 2 3	APPLICATION SPEC -	SCALE 8:1
		WEIGHT -	SIZE A3	SHEET 1 OF 1
		CUSTOMER DRAWING	REV A	