



Chipsmall Limited consists of a professional team with an average of over 10 year of expertise in the distribution of electronic components. Based in Hongkong, we have already established firm and mutual-benefit business relationships with customers from,Europe,America and south Asia,supplying obsolete and hard-to-find components to meet their specific needs.

With the principle of “Quality Parts,Customers Priority,Honest Operation,and Considerate Service”,our business mainly focus on the distribution of electronic components. Line cards we deal with include Microchip,ALPS,ROHM,Xilinx,Pulse,ON,Everlight and Freescale. Main products comprise IC,Modules,Potentiometer,IC Socket,Relay,Connector.Our parts cover such applications as commercial,industrial, and automotives areas.

We are looking forward to setting up business relationship with you and hope to provide you with the best service and solution. Let us make a better world for our industry!



Contact us

Tel: +86-755-8981 8866 Fax: +86-755-8427 6832

Email & Skype: info@chipsmall.com Web: www.chipsmall.com

Address: A1208, Overseas Decoration Building, #122 Zhenhua RD., Futian, Shenzhen, China

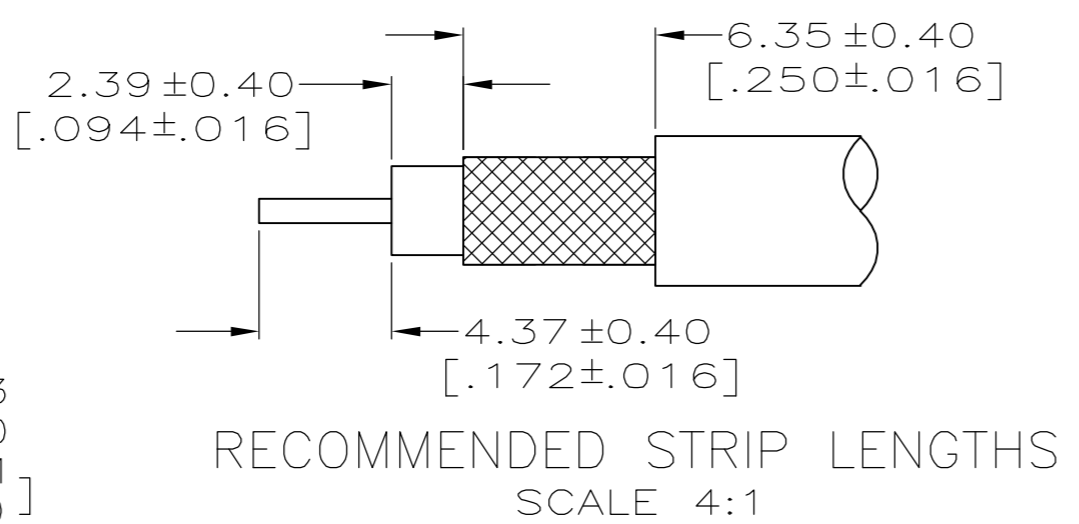
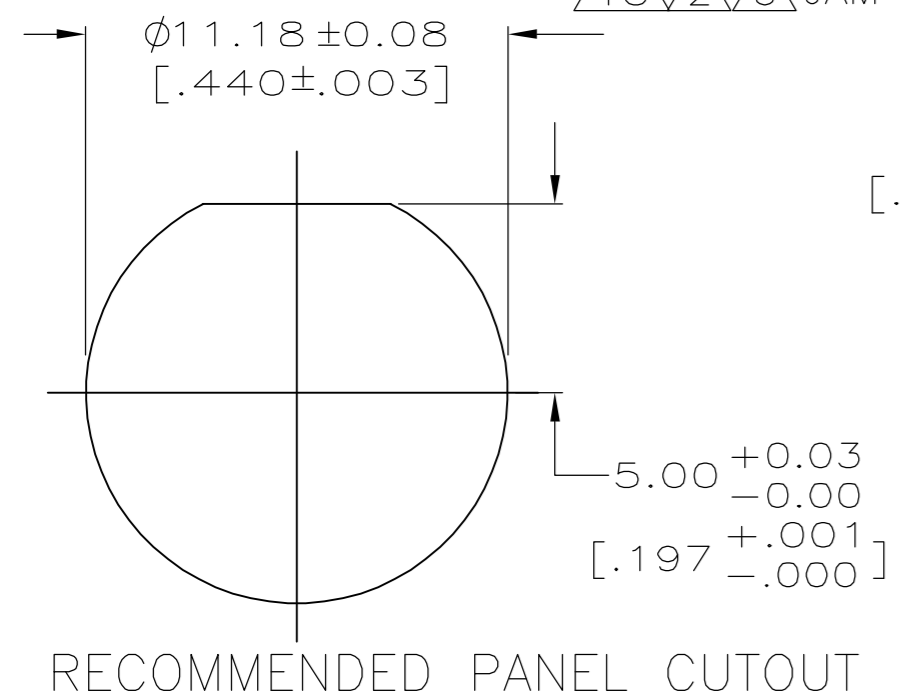
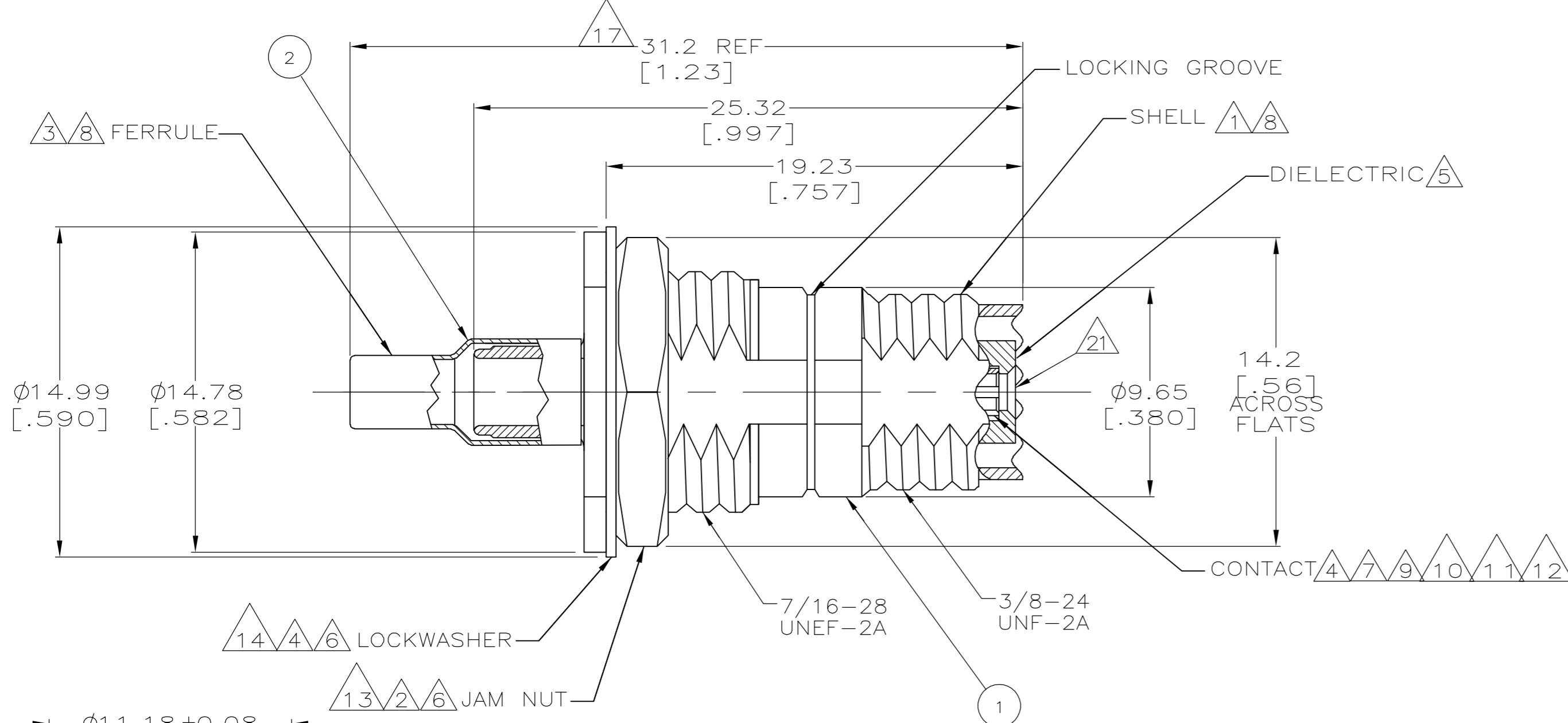


THIS DRAWING IS UNPUBLISHED. RELEASED FOR PUBLICATION
 © COPYRIGHT BY TYCO ELECTRONICS CORPORATION. ALL RIGHTS RESERVED.

LOC	DIST	REVISIONS					
GE	00	P	LTR	DESCRIPTION	DATE	DWN	APVD
		K		OBSOLETE: -3 PER ECR 05-008388	23DEC2005	DLD	LLV

- 1 ZINC DIE CAST PER ASTM-B-86.
- 2 BRASS PER QQ-B-626.
- 3 BRASS PER ASTM-B-36.
- 4 PHOSPHOR BRONZE PER QQ-B-750.
- 5 POLYMETHYLPENTENE GENERAL PURPOSE.
- 6 NICKEL PLATE PER QQ-N-290, 2.54µm [.000100] MIN THICK.
- 7 TIN PLATE PER MIL-T-10727B; TYPE 2, 2.54µm [.000100] MIN THICK.
- 8 TIN PLATE PER ASTM-B-545, 2.54µm [.000100] MIN THICK.
- 9 STAMPED & FORMED CONTACT, P/N 415030-2, ORDERED SEPARATELY.
- 10 STAMPED & FORMED CONTACT, P/N 415030-3, ORDERED SEPARATELY.
- 11 CRIMP TOOLING: AMP-O-LECTRIC 565435-5 WITH APPLICATOR 466689-2. (PAD LTR A)
- 12 CRIMP TOOLING: AMP-O-LECTRIC 565435-5 WITH APPLICATOR 567386-2.
- 13 JAMNUT ORDERED SEPARATELY, P/N 228575-2.
- 14 LOCKWASHER ORDERED SEPARATELY, P/N 980506-1.

- 15 FERRULE CRIMP TOOLING: POWER UNIT 189721-1 (HAND ACTUATED) OR 189722-1 (FOOT ACTUATED). TOOL HOLDER 356302-1 (RATCHETED) OR 189767-1 (NON-RATCHETED). ADAPTOR 679304-1 WITH DIE SET 220189-1.
- 16 FERRULE CRIMP TOOLING: POWER UNIT 189721-1 (HAND ACTUATED) OR 189722-1 (FOOT ACTUATED). TOOL HOLDER 356302-1 (RATCHETED) OR 189767-1 (NON-RATCHETED). ADAPTOR 679304-1 WITH DIE SET 318450-2. DIMENSION APPLIES AFTER CONNECTOR IS CRIMPED TO CABLE.
- 17 FERRULE CRIMP TOOLING: POWER UNIT 189721-1 (HAND ACTUATED) OR 189722-1 (FOOT ACTUATED). TOOL HOLDER 356302-1 (RATCHETED) OR 189767-1 (NON-RATCHETED). ADAPTOR 679304-1 WITH DIE SET 58651-1.
- 18 CRIMP TOOLING: AMP-O-LECTRIC 565435-5 WITH ADAPTOR 466689-2. (PAD LTR B)
- 19 CRIMP TOOLING: AMP-O-LECTRIC 565435-5 WITH ADAPTOR 466689-2. (PAD LTR C)
- 20 PART ACCEPTABLE WITH UP TO 2 SERRATED TEETH MISSING. VOID CREATED BY MISSING TEETH CANNOT EXTEND MORE THAN 1.01[.040] FROM THE TIP OF ADJACENT SERRATED TEETH.
- 21 OBSOLETE PART.



AWG	CABLE	FERRULE	JACK ASSY	PART NUMBER
21 AWG SOLID	887079-3	2 QTY=1	1 QTY=1	415012-3
22 AWG STRANDED	9-328666-0			415012-2
RG-174/U	9-221132-0			415012-1
RG-58/U				

THIS DRAWING IS A CONTROLLED DOCUMENT.

DWN: J. MARTINELLI	14OCT93	Tyco Electronics Corporation Harrisburg, PA 17105-3608
CHK: B. MOYER	26OCT93	
APVD: B. MOYER	27OCT94	
PRODUCT SPEC		
DIMENSIONS: MM [INCHES]	TOLERANCES UNLESS OTHERWISE SPECIFIED:	NAME: SNAP/LOCK, MINI-UHF CABLE BULKHEAD JACK KIT, DUAL CRIMP
0 PLC ± -	1 PLC ± -	SIZE: A2
2 PLC ± 0.26 [.010]	3 PLC ± -	CAGE CODE: 00779
4 PLC ± -	ANGLES ± 2°	DRAWING NO: C=415012
MATERIAL: 1 THRU 5	FINISH: 6 THRU 8	RESTRICTED TO: -
CUSTOMER DRAWING		SCALE: 5:1
		SHEET 1 OF 1
		REV K