



Chipsmall Limited consists of a professional team with an average of over 10 year of expertise in the distribution of electronic components. Based in Hongkong, we have already established firm and mutual-benefit business relationships with customers from,Europe,America and south Asia,supplying obsolete and hard-to-find components to meet their specific needs.

With the principle of “Quality Parts,Customers Priority,Honest Operation,and Considerate Service”,our business mainly focus on the distribution of electronic components. Line cards we deal with include Microchip,ALPS,ROHM,Xilinx,Pulse,ON,Everlight and Freescale. Main products comprise IC,Modules,Potentiometer,IC Socket,Relay,Connector.Our parts cover such applications as commercial,industrial, and automotives areas.

We are looking forward to setting up business relationship with you and hope to provide you with the best service and solution. Let us make a better world for our industry!



Contact us

Tel: +86-755-8981 8866 Fax: +86-755-8427 6832

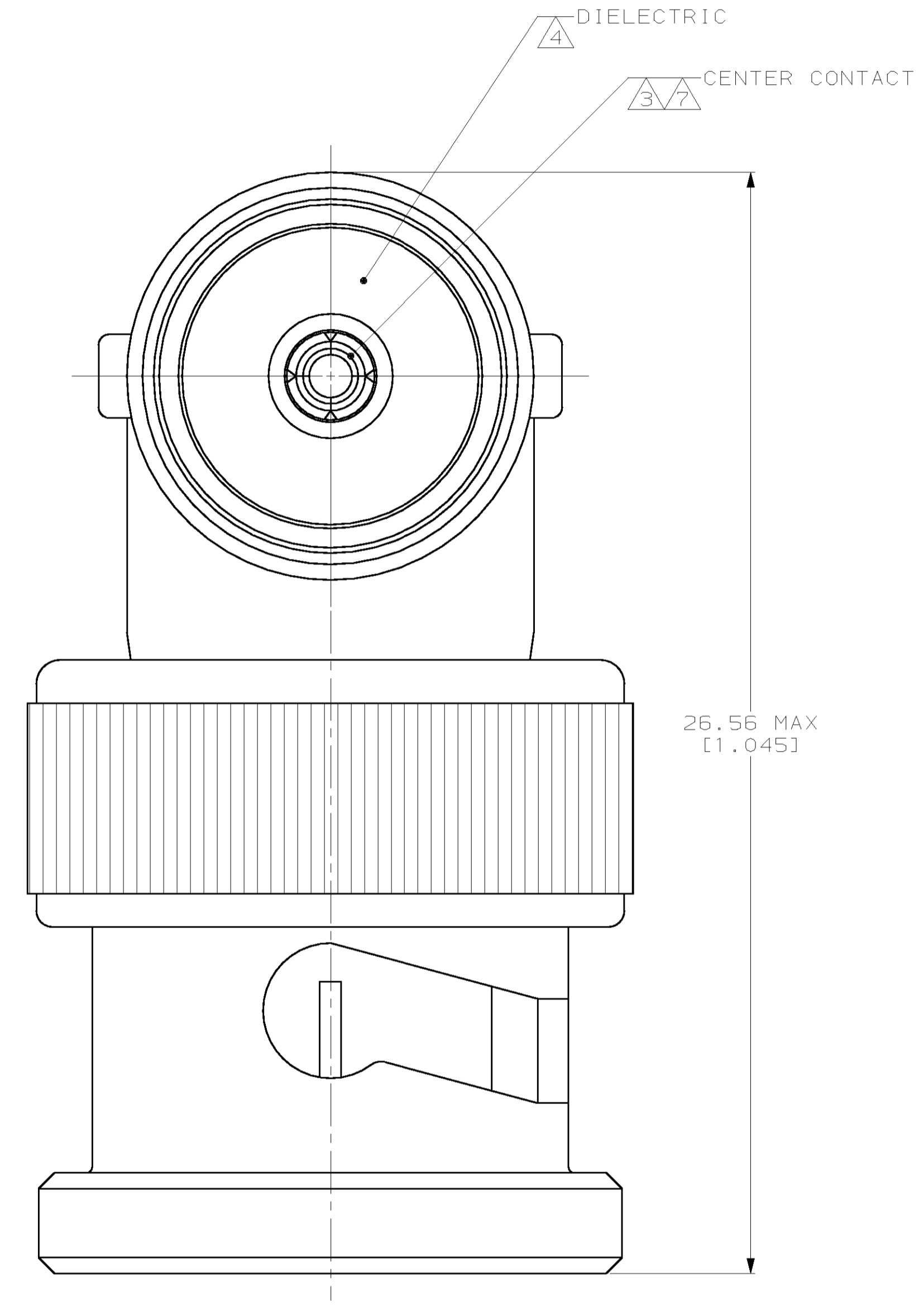
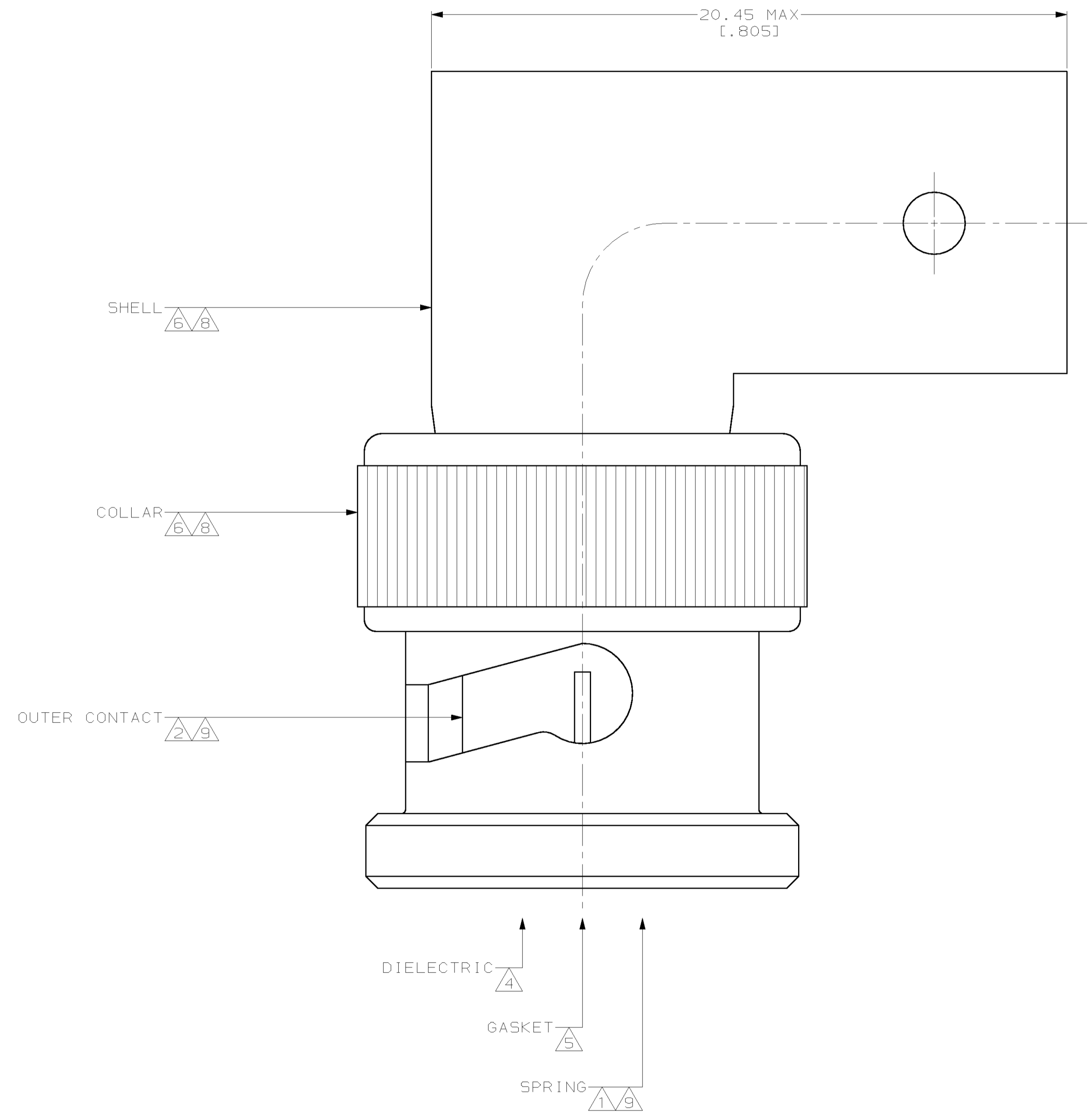
Email & Skype: info@chipsmall.com Web: www.chipsmall.com

Address: A1208, Overseas Decoration Building, #122 Zhenhua RD., Futian, Shenzhen, China



LOC	QTY	REV	DATE	BY	APPV
AJ	16	A	04APR01	MO	JL

- REVISIONS
- | REV | DESCRIPTION | DATE | BY | APPV |
|-----|----------------------|---------|----|------|
| A | REV PER OU20-0200-01 | 04APR01 | MO | JL |
- 1 CARBON STEEL PER ASTM-A-108
 - 2 BRASS PER ASTM-B-16
 - 3 PHOSPHOR BRONZE PER ASTM-B-139
 - 4 POLYMETHYLPENTENE: GENERAL PURPOSE
 - 5 SILICONE RUBBER PER ZZ-R-765
 - 6 ZINC DIE CAST PER ASTM-B-86
 - 7 GOLD PLATE PER MIL-G-45204, 0.76µm [.000030] MIN THICKNESS
 - 8 NICKEL PLATE PER QQ-N-290, 1.27µm [.000050] MIN THICKNESS
 - 9 NICKEL PLATE PER QQ-N-290, 2.54µm [.000100] MIN THICKNESS



415020-1
PART NUMBER

<small>THIS DRAWING IS A CONTROLLED DOCUMENT AND IS UNPUBLISHED. IT IS SUBJECT TO CHANGE AND THE CONTROLLING ENGINEERING ORGANIZATION SHOULD BE CONTACTED FOR THE LATEST REVISION.</small>		DWG: M.E. COWHER CHK: M.J. PHILLIPS APPV: M.J. PHILLIPS	OBR4995 OBR4995 OBR4995	AMP AMP Incorporated Harrisburg, PA 17105-3608
DIMENSIONS: mm (INCHES)	TOLERANCES UNLESS OTHERWISE SPECIFIED: D PLC ±.01 F PLC ±.01 H PLC ±.01 J PLC ±.01 K PLC ±.01 L PLC ±.01 M LANCES ±.01	PRODUCT SPEC: 108-12096 APPLICATION SPEC:	SIZE: A1 CAGE CODE: 00779 DRAWING NO: C-415020	SCALE: 10:1 SHEET: 1 OF 1 REV: A
MATERIAL: SEE NOTES	FINISH: SEE NOTES	WEIGHT: -	CUSTOMER DRAWING	