



Chipsmall Limited consists of a professional team with an average of over 10 year of expertise in the distribution of electronic components. Based in Hongkong, we have already established firm and mutual-benefit business relationships with customers from,Europe,America and south Asia,supplying obsolete and hard-to-find components to meet their specific needs.

With the principle of "Quality Parts,Customers Priority,Honest Operation,and Considerate Service",our business mainly focus on the distribution of electronic components. Line cards we deal with include Microchip,ALPS,ROHM,Xilinx,Pulse,ON,Everlight and Freescale. Main products comprise IC,Modules,Potentiometer,IC Socket,Relay,Connector.Our parts cover such applications as commercial,industrial, and automotives areas.

We are looking forward to setting up business relationship with you and hope to provide you with the best service and solution. Let us make a better world for our industry!



Contact us

Tel: +86-755-8981 8866 Fax: +86-755-8427 6832

Email & Skype: info@chipsmall.com Web: www.chipsmall.com

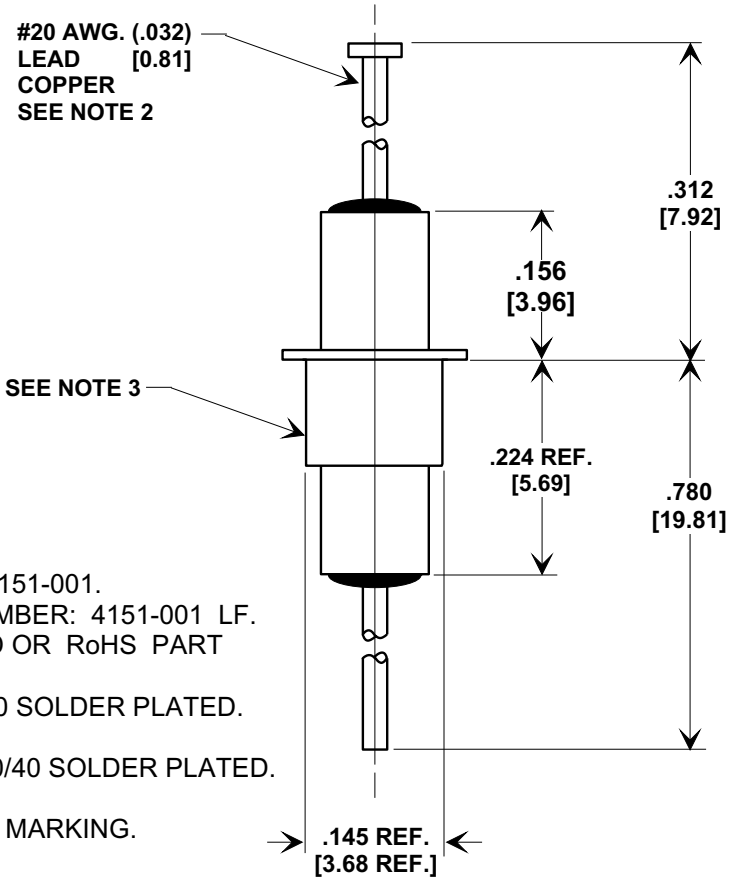
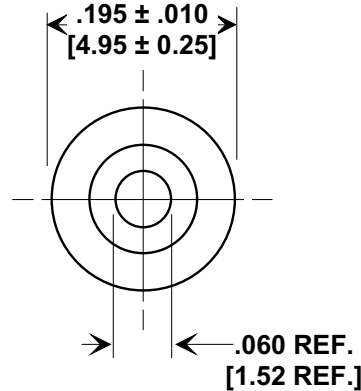
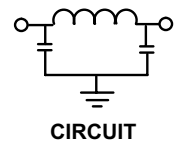
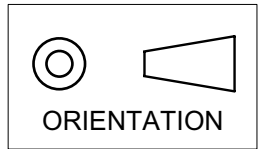
Address: A1208, Overseas Decoration Building, #122 Zhenhua RD., Futian, Shenzhen, China



MARKETING SALES DRAWING

DIMENSIONS IN INCHES - DO NOT SCALE THIS DRAWING
DIMENSIONS IN METRIC - []

Electrical Testing
 per Tusonix standard
 test plans and Mil-Std-202
 Test Methods.



NOTES:

- TUSONIX STANDARD PART NUMBER: 4151-001.
 TUSONIX RoHS COMPLIANT PART NUMBER: 4151-001 LF.
 CUSTOMER MUST SPECIFY STANDARD OR RoHS PART NUMBER WHEN ORDERING.
- LEAD FINISH: STANDARD PART #: 60/40 SOLDER PLATED.
 RoHS PART #: SILVER PLATED.
- EYELET FINISH: STANDARD PART #: 60/40 SOLDER PLATED.
 RoHS PART #: SILVER PLATED.
- PART MARKING: STANDARD PART: NO MARKING.
 RoHS PART: GREEN DOT ON BODY.

MIN. CAP.	85°C Working Voltage	125°C Working Voltage	Current IDC	DWV @ 2 SEC. MIN.	I.R. @ 100 (VDC.)	Minimum No Load Insertion Loss (dB) at 25°C per Mil-Std-220			
						10 MHz	100 MHz	1 GHz	10 GHz
22,000 pF	100 VDC	70 VDC	10 A	250 VDC	10 G MIN	35	70	70	70

X-2015 Rev-0 REVISION RECORD Original Release C.O. 6611 DIM'S REVISED E.C. 5-26-92 C.O. 6667 DWG. WAS EXISTING SHOULD HAVE BEEN REVISED PER C.O. 20040128-1-01 NOT NEW RELEASE L.E. 02-02-04 20040202-4-01 ADDED NOTES. S.M. 05-10-05 20050428-1-02	0	MULTILAYER EYELET STYLE EMI FILTER	Title		
	--TOLERANCES-- Unless Otherwise Specified		Drawn L.E. 01-28-04		
	DECIMAL ± .031[0.79]		Scale 5 X		
	ANGLES ±		Approved B.Mc. 01-28-04		
TUSONIX TUCSON, ARIZONA		A	4151-001		