



Chipsmall Limited consists of a professional team with an average of over 10 year of expertise in the distribution of electronic components. Based in Hongkong, we have already established firm and mutual-benefit business relationships with customers from,Europe,America and south Asia,supplying obsolete and hard-to-find components to meet their specific needs.

With the principle of “Quality Parts,Customers Priority,Honest Operation,and Considerate Service”,our business mainly focus on the distribution of electronic components. Line cards we deal with include Microchip,ALPS,ROHM,Xilinx,Pulse,ON,Everlight and Freescale. Main products comprise IC,Modules,Potentiometer,IC Socket,Relay,Connector.Our parts cover such applications as commercial,industrial, and automotives areas.

We are looking forward to setting up business relationship with you and hope to provide you with the best service and solution. Let us make a better world for our industry!



Contact us

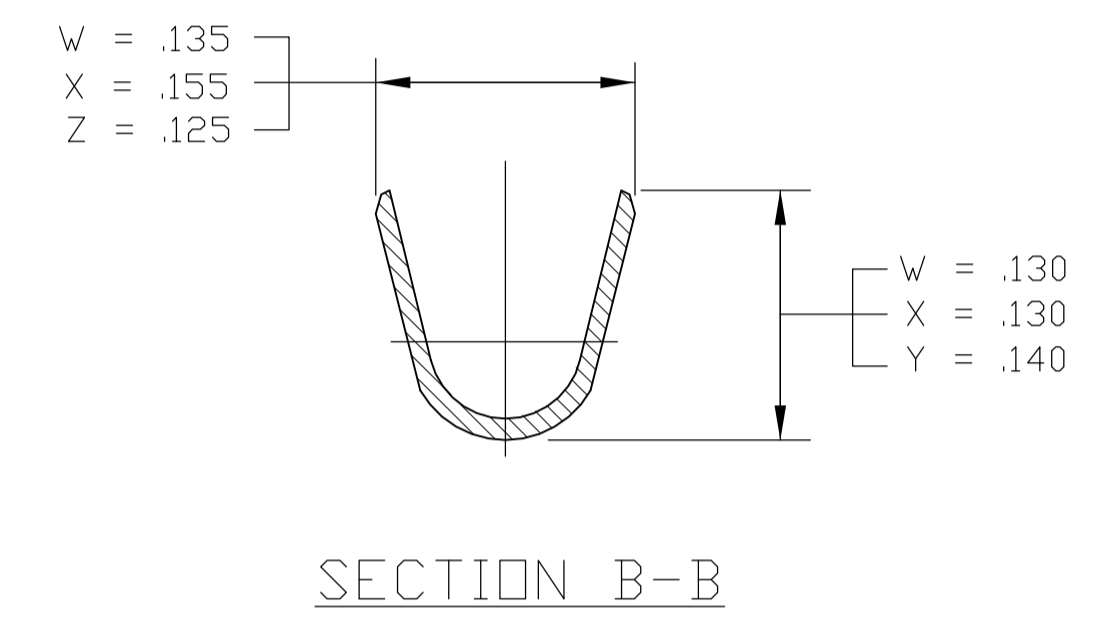
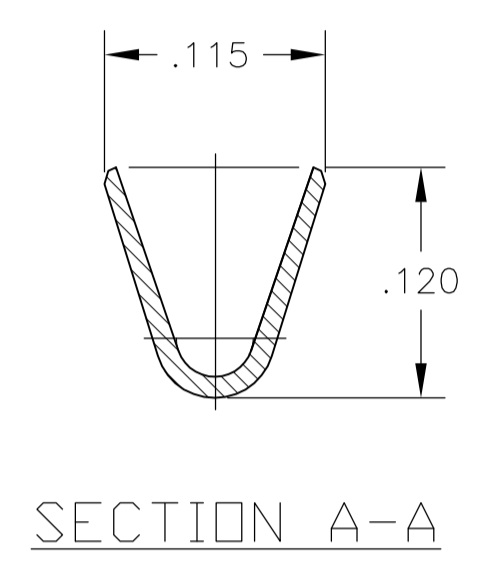
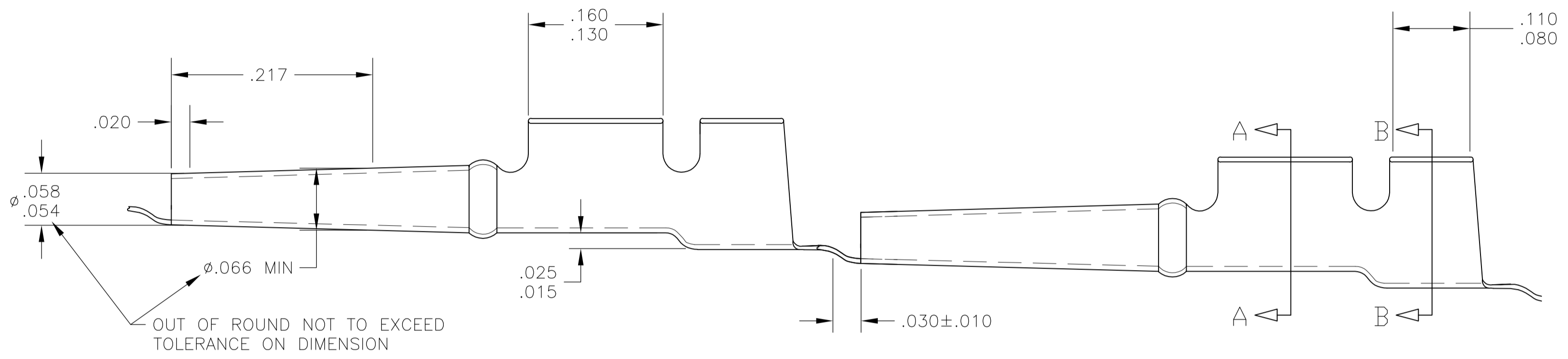
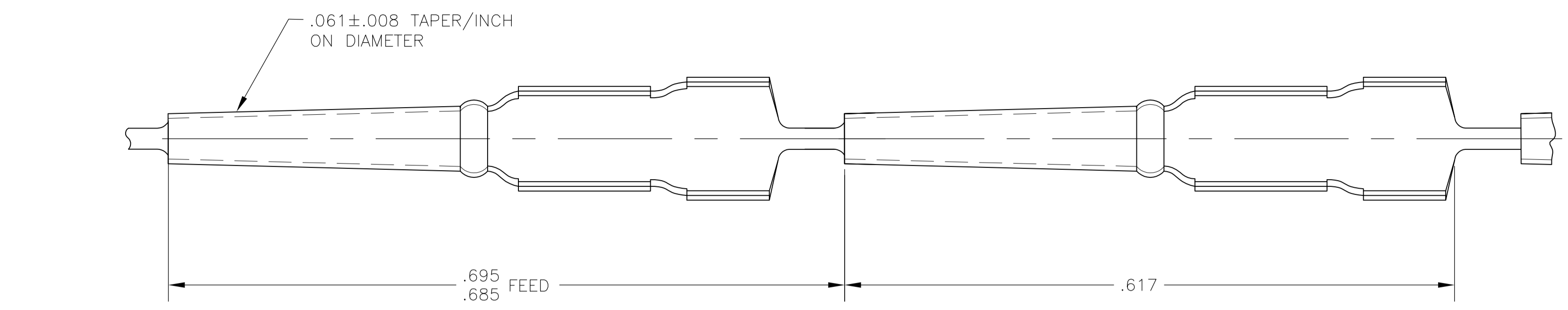
Tel: +86-755-8981 8866 Fax: +86-755-8427 6832

Email & Skype: info@chipsmall.com Web: www.chipsmall.com

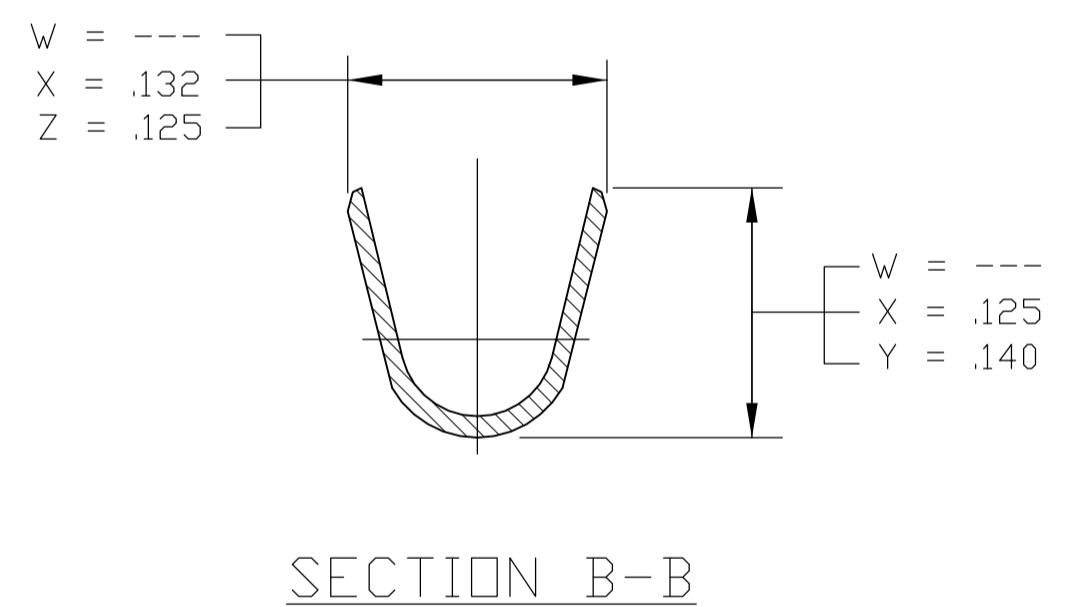
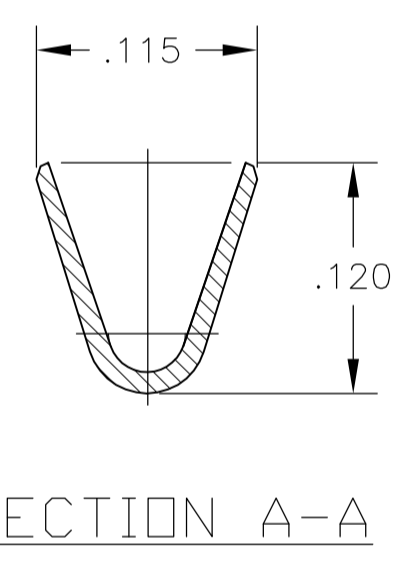
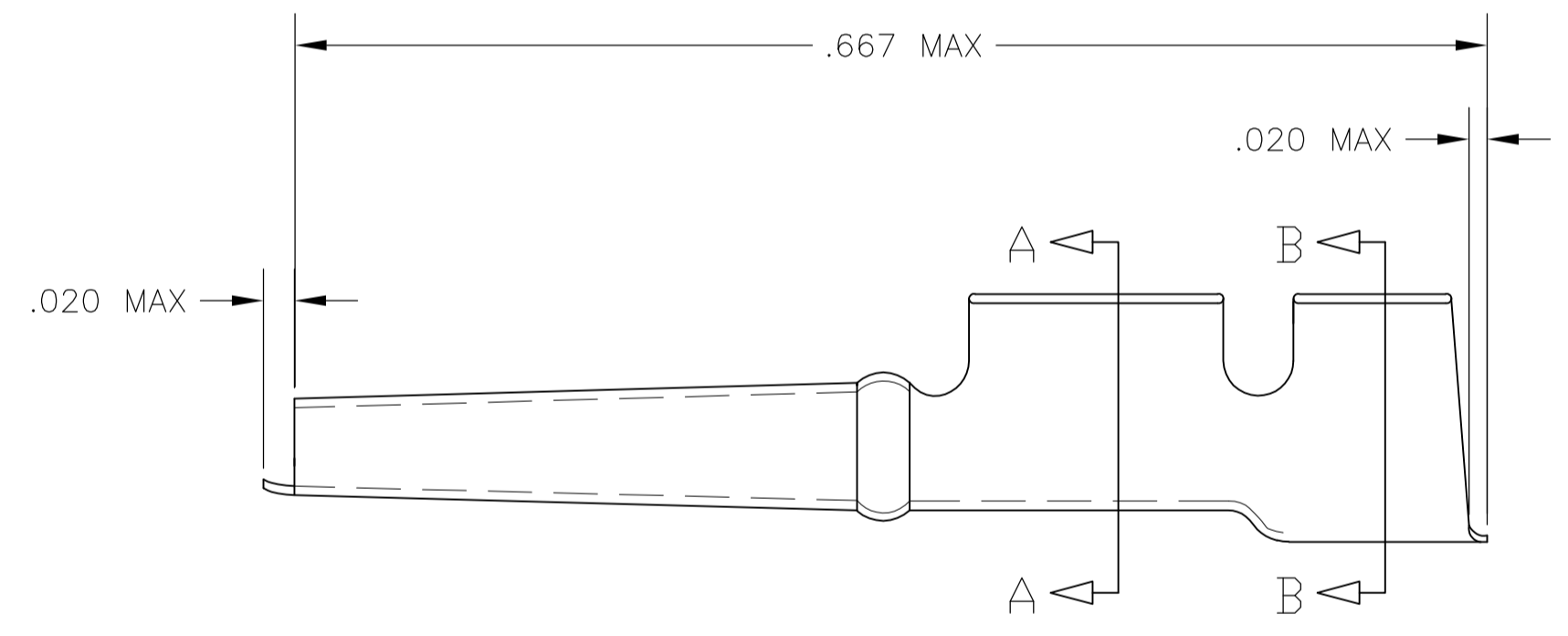
Address: A1208, Overseas Decoration Building, #122 Zhenhua RD., Futian, Shenzhen, China



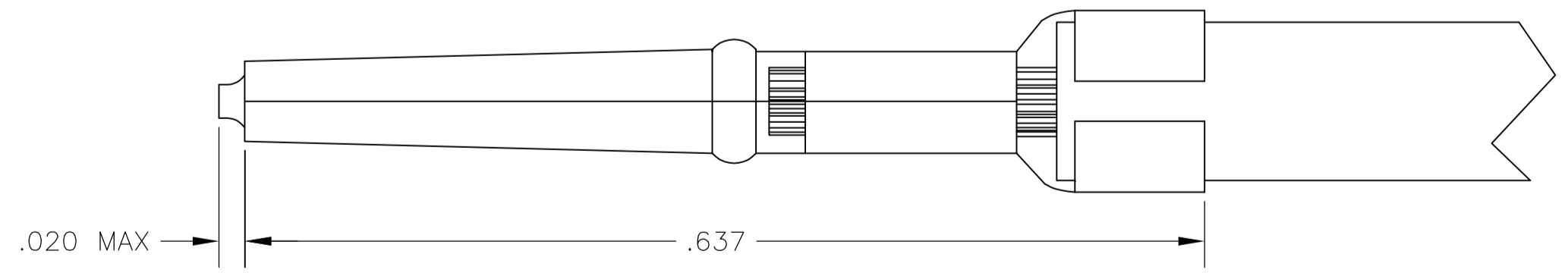
LOC		DIST		REVISIONS			
P	LTR	DESCRIPTION	DATE	DWN	APVD		
AM	REV PER ECO	09-023571	16DEC09	PY	JW		



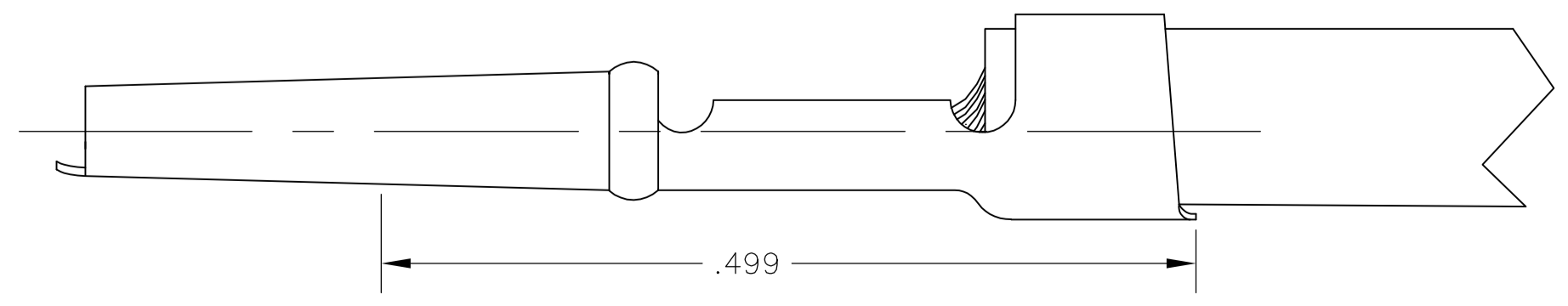
STRIP



LOOSE PIECE



CRIMPED VERSION



MAX INSTALLED EXTENSION

.054	47043	380306-3	UNPLATED	X	.080-.100	20-18	41997	41991
.054	47043	380306-3	.00003 GOLD OVER .00005 NICKEL	X	.080-.100	20-18	5-41667-0	5-41650-0
.054	47043	380306-3	.0002 SILVER	X	.080-.100	20-18	41669	41652
.054	47043	380306-3	.0001 MATTE TIN	X	.080-.100	20-18	41668	41651
.054	47043	380306-3	.0001 BRIGHT TIN-LEAD	X	.080-.100	20-18	41667	41650
CRIMP HEIGHT	HAND TOOL	INSERT TOOL	FINISH	INSUL CODE	INSUL SIZE	WIRE SIZE	LOOSE PIECE PART NO.	PART NO.

THIS DRAWING IS A CONTROLLED DOCUMENT.

DIMENSIONS: INCHES	TOLERANCES UNLESS OTHERWISE SPECIFIED:	DIN P. YEAGER 16DEC09	Tyco Electronics Corporation Harrisburg, PA 17105-3608
0 PLC ± -	1 PLC ± -	CHK J. WEAVER 16DEC09	
2 PLC ± -	3 PLC ± .005	APVD J. WEAVER 16DEC09	NAME
4 PLC ANGLES ± ± 5°			PRODUCT SPEC
MATERIAL .0160 COML BRASS	FINISH -		APPLICATION SPEC
			SIZE
			CAGE CODE
			DRAWING NO
			RESTRICTED TO
			WEIGHT
			A1 00779 C=41650
			CUSTOMER DRAWING
			SCALE 10:1
			SHEET 1 OF 1
			REV AM