



Chipsmall Limited consists of a professional team with an average of over 10 year of expertise in the distribution of electronic components. Based in Hongkong, we have already established firm and mutual-benefit business relationships with customers from,Europe,America and south Asia,supplying obsolete and hard-to-find components to meet their specific needs.

With the principle of “Quality Parts,Customers Priority,Honest Operation,and Considerate Service”,our business mainly focus on the distribution of electronic components. Line cards we deal with include Microchip,ALPS,ROHM,Xilinx,Pulse,ON,Everlight and Freescale. Main products comprise IC,Modules,Potentiometer,IC Socket,Relay,Connector.Our parts cover such applications as commercial,industrial, and automotives areas.

We are looking forward to setting up business relationship with you and hope to provide you with the best service and solution. Let us make a better world for our industry!



Contact us

Tel: +86-755-8981 8866 Fax: +86-755-8427 6832

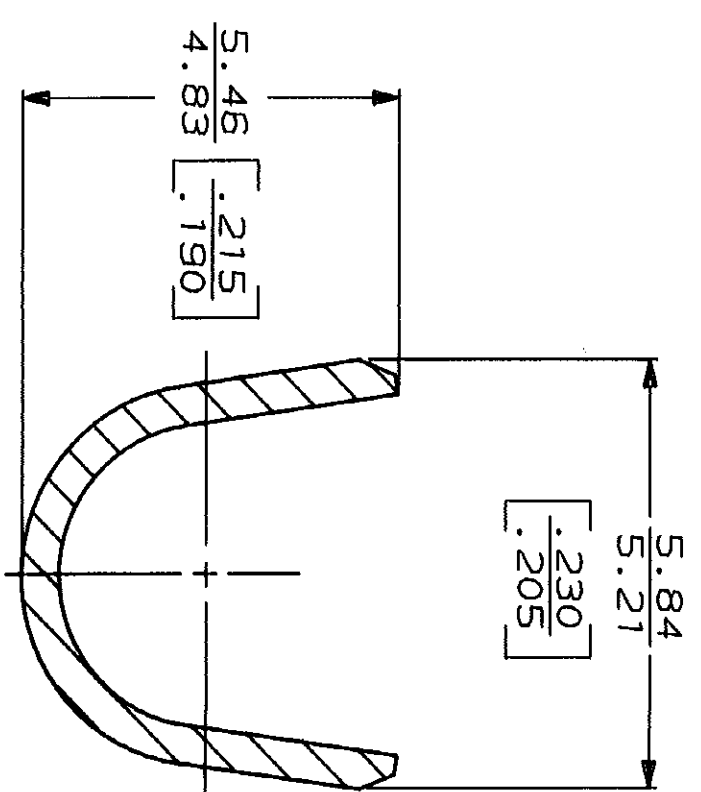
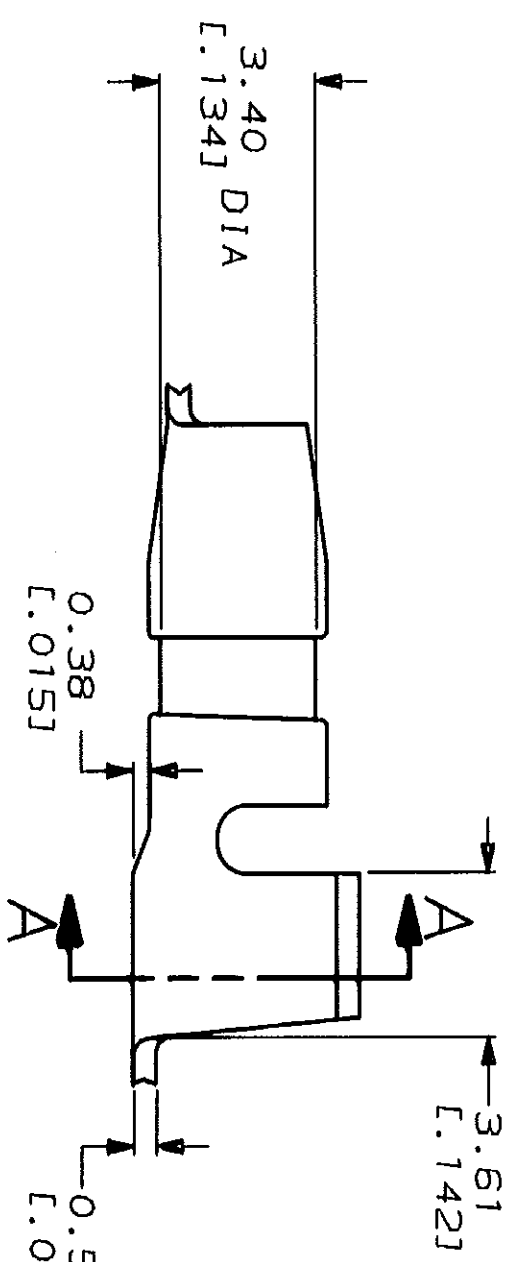
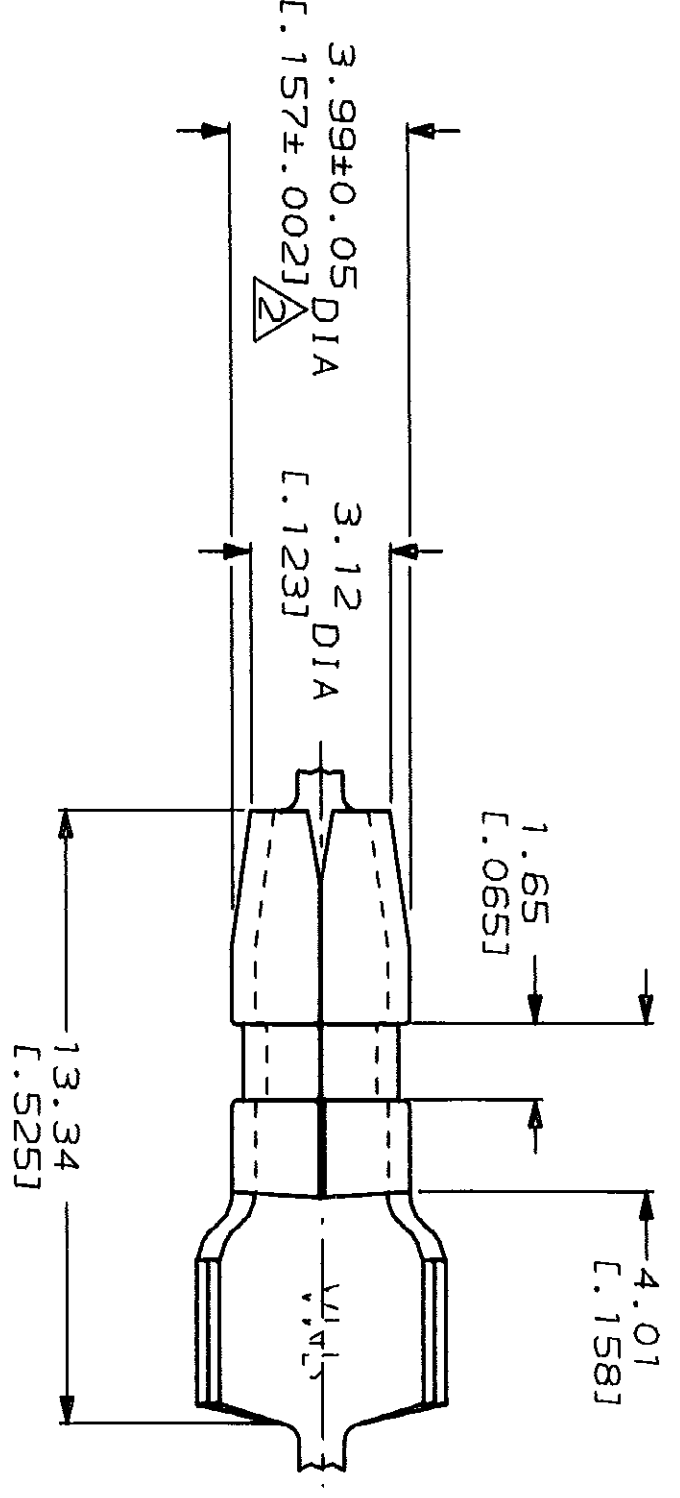
Email & Skype: info@chipsmall.com Web: www.chipsmall.com

Address: A1208, Overseas Decoration Building, #122 Zhenhua RD., Futian, Shenzhen, China



THIS DRAWING IS UNPUBLISHED. RELEASED FOR PUBLICATION
BY AMP INCORPORATED. ALL INTERNATIONAL RIGHTS RESERVED.

LOC	DIST	P	F	ZONE	LTR	REVISIONS	DESCRIPTION	DATE	APPO
AF	50				A		REDRAWN PER AF-6810	7/24/90	PF/JR



- 1 CONTINUOUS STRIP ON REELS
- 2 TO BE HELD AFTER CRIMPING

3.18-4.06 DIA [L.125-.160]	0.8mm ² -2.0mm ² [18-14] AWG	41698
----------------------------	--	-------

INSULATION RANGE WIRE RANGE PART NO

DO NOT SCALE PRINT. UNLESS SPECIFIED DIMENSIONS IN INCHES! TOLERANCES ON: 2 PLC DEC ± 0.38 [L.015] 3 PLC DEC ± . . . ANGLES ± . . .	DR 7/23/90 P FORNEY CHK 7/23/90 JR RUTH APPD 7/23/90 S VETTER APPD 7/23/90 R KUD0 PRODUCT SPEC	AMP AMP Incorporated Harrisburg, PA 17105-3608
MATERIAL: #2 HARD BRASS	NAME: SHUR PLUG, 3.98 [L.156] DIA	
FINISH: 0.03302 [L.000130] MAX PRE-TIN PER MIL-T-10727	SIZE: B CAGE CODE: 00779 SCALE: 6:1	DRAWING NO: 41698 SHEET: 1 OF 1

