



Chipsmall Limited consists of a professional team with an average of over 10 year of expertise in the distribution of electronic components. Based in Hongkong, we have already established firm and mutual-benefit business relationships with customers from,Europe,America and south Asia,supplying obsolete and hard-to-find components to meet their specific needs.

With the principle of “Quality Parts,Customers Priority,Honest Operation,and Considerate Service”,our business mainly focus on the distribution of electronic components. Line cards we deal with include Microchip,ALPS,ROHM,Xilinx,Pulse,ON,Everlight and Freescale. Main products comprise IC,Modules,Potentiometer,IC Socket,Relay,Connector.Our parts cover such applications as commercial,industrial, and automotives areas.

We are looking forward to setting up business relationship with you and hope to provide you with the best service and solution. Let us make a better world for our industry!



## Contact us

Tel: +86-755-8981 8866 Fax: +86-755-8427 6832

Email & Skype: info@chipsmall.com Web: www.chipsmall.com

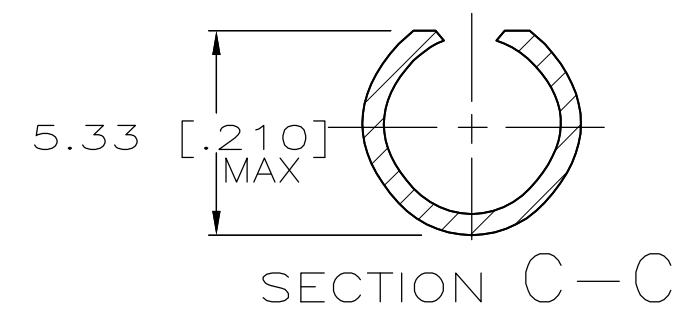
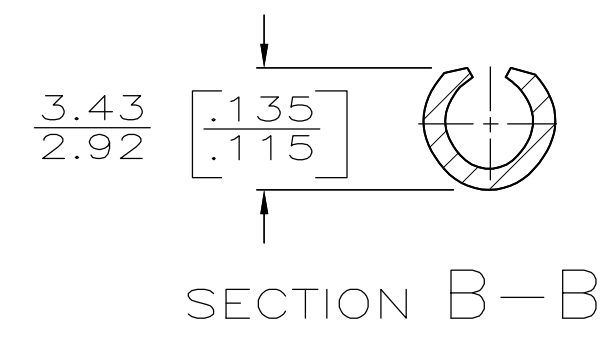
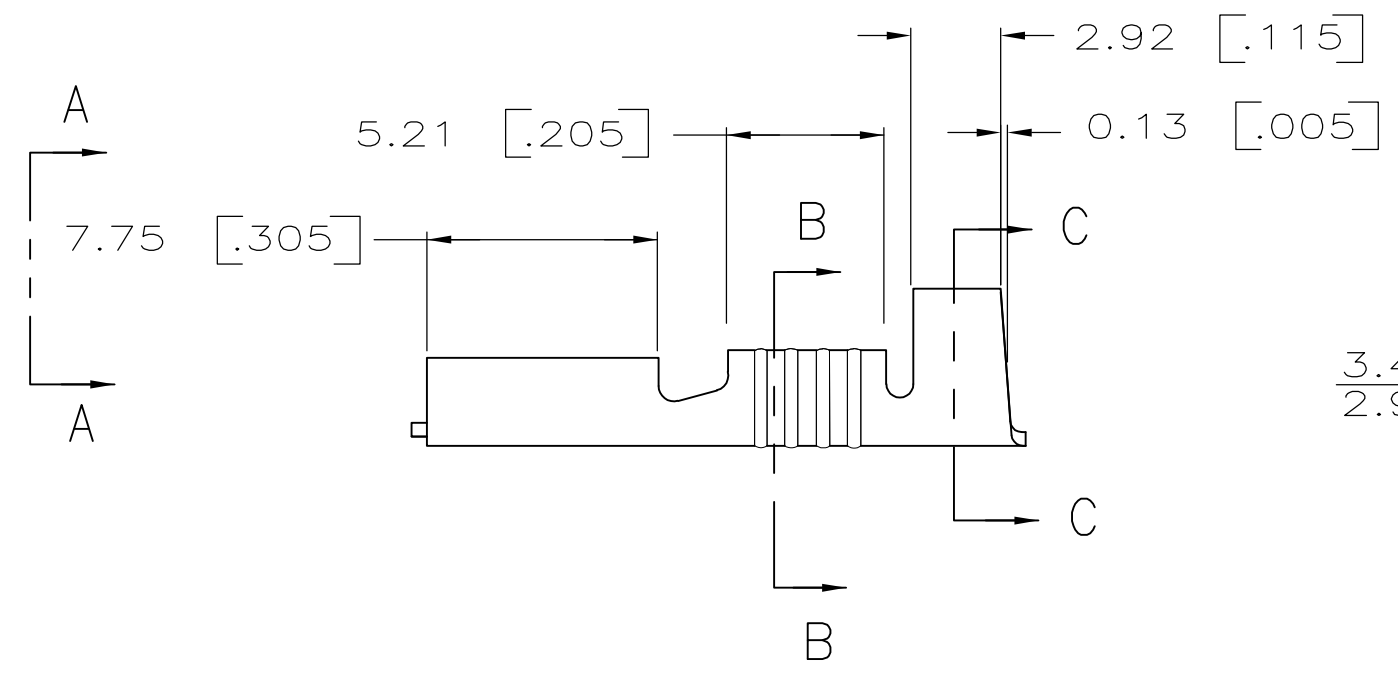
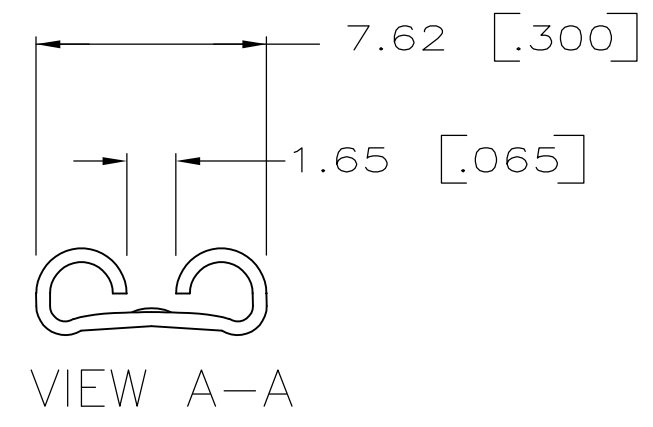
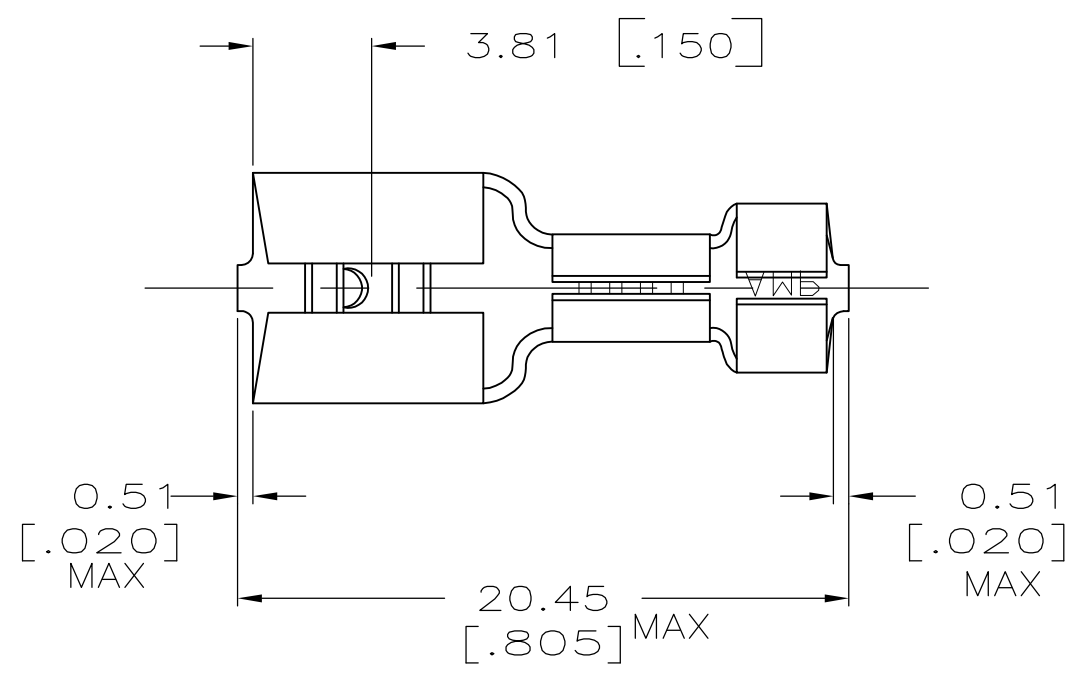
Address: A1208, Overseas Decoration Building, #122 Zhenhua RD., Futian, Shenzhen, China



THIS DRAWING IS UNPUBLISHED. RELEASED FOR PUBLICATION  
 © COPYRIGHT - By - ALL RIGHTS RESERVED.

LOC	DIST	REVISIONS					
AF	50	P	LTR	DESCRIPTION	DATE	DWN	APVD
		L		REVISED PER ECR-12-013445	18OCT12	KH	PD

- 1 SUPPLIED IN LOOSE PIECE
- 2 FOREIGN PRODUCTION ONLY.
- 3 MATING TAB THK IS  $0.81 \pm 0.025$  [.032±.001].
- 4 WIRE SIZE 0.8-1.3mm<sup>2</sup> [18-16] AWG.
- 5 INSULATION RANGE IS 3.05-3.68 [.120-.145] DIA.
- 6 SPECIAL PACKAGE QTY
- 7 OBSOLETE PARTS: OBSOLETE CIS STREAMLINING PER D.RENAUD/D.SINISI



7 OBSOLETE	-	6	8-41729-1
	41274-1	2	41729-2
	41274		41729
	STRIP		PART NO

THIS DRAWING IS A CONTROLLED DOCUMENT.		DWN	JR RUTH	2/11/91	TE Connectivity RECEPTACLE, FASTON, 6.35 [.250] SERIES
DIMENSIONS: mm [INCHES]		CHK	MS FEHER	2/11/91	
TOLERANCES UNLESS OTHERWISE SPECIFIED:		APVD	C MEYERS	2/11/91	
0 PLC ± - 1 PLC ± - 2 PLC ± 0.25 [.010] 3 PLC ± - 4 PLC ± - ANGLES ± -		PRODUCT SPEC	-	-	
MATERIAL	BRASS	FINISH	TIN	WEIGHT	-
		APPLICATION SPEC	-	SIZE	A3
		CUSTOMER DRAWING		CAGE CODE	00779
				DRAWING NO	C-41729
				RESTRICTED TO	-
				SCALE	4:1
				SHEET	1 OF 1
				REV	L