



Chipsmall Limited consists of a professional team with an average of over 10 year of expertise in the distribution of electronic components. Based in Hongkong, we have already established firm and mutual-benefit business relationships with customers from,Europe,America and south Asia,supplying obsolete and hard-to-find components to meet their specific needs.

With the principle of “Quality Parts,Customers Priority,Honest Operation,and Considerate Service”,our business mainly focus on the distribution of electronic components. Line cards we deal with include Microchip,ALPS,ROHM,Xilinx,Pulse,ON,Everlight and Freescale. Main products comprise IC,Modules,Potentiometer,IC Socket,Relay,Connector.Our parts cover such applications as commercial,industrial, and automotives areas.

We are looking forward to setting up business relationship with you and hope to provide you with the best service and solution. Let us make a better world for our industry!



## Contact us

Tel: +86-755-8981 8866 Fax: +86-755-8427 6832

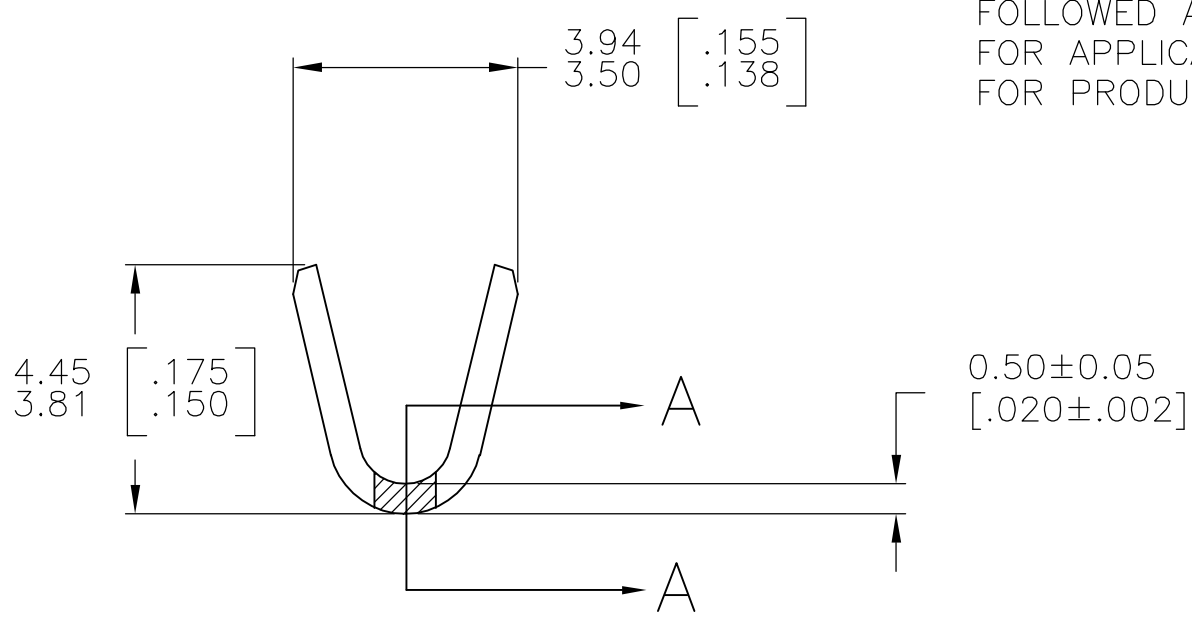
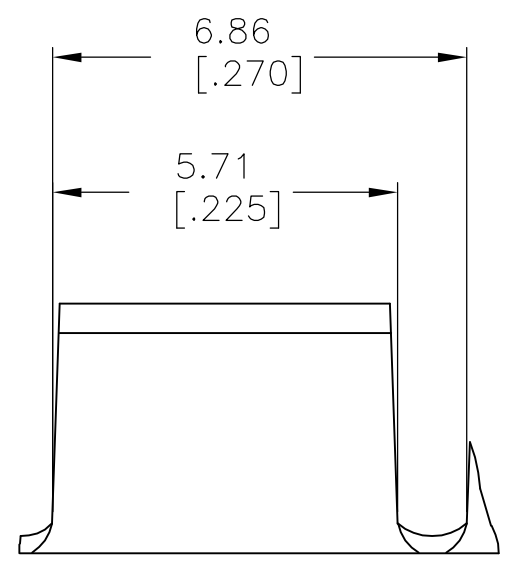
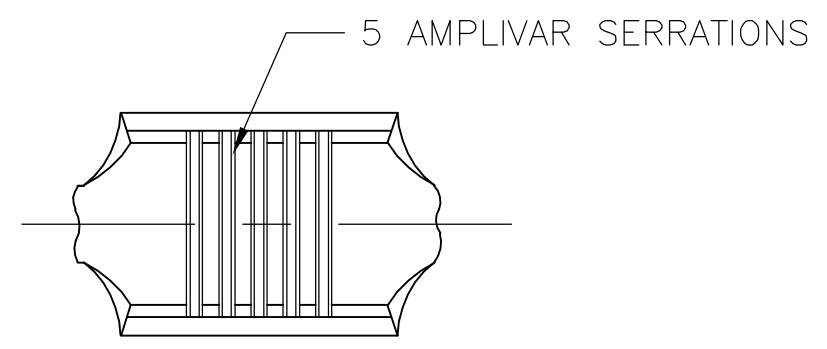
Email & Skype: info@chipsmall.com Web: www.chipsmall.com

Address: A1208, Overseas Decoration Building, #122 Zhenhua RD., Futian, Shenzhen, China

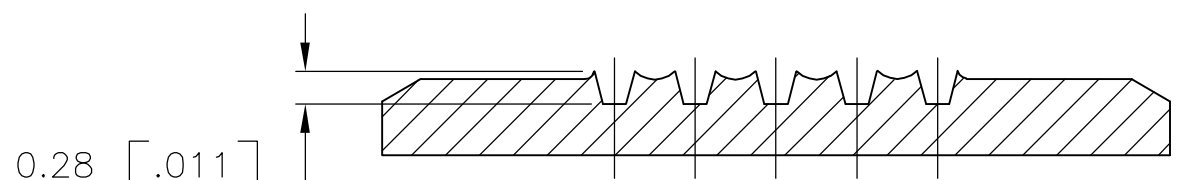


THIS DRAWING IS UNPUBLISHED. RELEASED FOR PUBLICATION  
 © COPYRIGHT BY TYCO ELECTRONICS CORPORATION. ALL RIGHTS RESERVED.

LOC	DIST	REVISIONS			
P	LTR	DESCRIPTION	DATE	DWN	APVD
AF	50	S1	ECR-06-023927(REDRAWN IN AUTOCAD)	06OCT06	HMR GP



- CONTINUOUS STRIP ON REELS.
- DIMENSIONS IN BRACKETS ARE IN INCHES.
- FOR ADDITIONAL INFORMATION, SEE APPLICATION SPEC. 114-2009.
- △ CRIMP WIDTH: .110 F TYPE (AMPLIVAR THRU)  
 CRIMP HEIGHT (±.002)=(TOTAL CMA+10,700)/193,400  
 GENERAL APPLICATION GUIDELINES MUST BE FOLLOWED AS SPECIFIED IN CATALOG #82221  
 FOR APPLICATOR INFORMATION CALL:1-800-722-1111  
 FOR PRODUCT INFORMATION CALL:1-800-522-6752



SECTION A-A  
SCALE 20:1

OBSOLETE	1500-5000 CMA	△ 4	NICKEL FLASH	41765-1
	1500-5000 CMA	△ 4	-	41765
	WIRE RANGE		FINISH	PART NO

THIS DRAWING IS A CONTROLLED DOCUMENT.		DWN RAGHAVENDRA	06OCT06	Tyco Electronics Corporation Harrisburg, PA 17105-3608	
DIMENSIONS: mm [INCHES]		CHK G.D.PORTA		NAME	
TOLERANCES UNLESS OTHERWISE SPECIFIED:		APVD G.D.PORTA		PRODUCT SPEC	
0 PLC ± -		PRODUCT SPEC		APPLICATION SPEC	
1 PLC ± -		APPLICATION SPEC		RESTRICTED TO	
2 PLC ± -		RESTRICTED TO		SIZE CAGE CODE DRAWING NO	
3 PLC ± 0.38 [.015]		RESTRICTED TO		A3 00779 C-41765	
4 PLC ± -		RESTRICTED TO		SCALE 8:1 SHEET 1 OF 1 REV S1	
ANGLES ± 1° 0'		RESTRICTED TO		CUSTOMER DRAWING	
MATERIAL BRASS	FINISH SEE TABLE	WEIGHT -		SCALE 8:1 SHEET 1 OF 1 REV S1	