



Chipsmall Limited consists of a professional team with an average of over 10 year of expertise in the distribution of electronic components. Based in Hongkong, we have already established firm and mutual-benefit business relationships with customers from,Europe,America and south Asia,supplying obsolete and hard-to-find components to meet their specific needs.

With the principle of “Quality Parts,Customers Priority,Honest Operation,and Considerate Service”,our business mainly focus on the distribution of electronic components. Line cards we deal with include Microchip,ALPS,ROHM,Xilinx,Pulse,ON,Everlight and Freescale. Main products comprise IC,Modules,Potentiometer,IC Socket,Relay,Connector.Our parts cover such applications as commercial,industrial, and automotives areas.

We are looking forward to setting up business relationship with you and hope to provide you with the best service and solution. Let us make a better world for our industry!



## Contact us

Tel: +86-755-8981 8866 Fax: +86-755-8427 6832

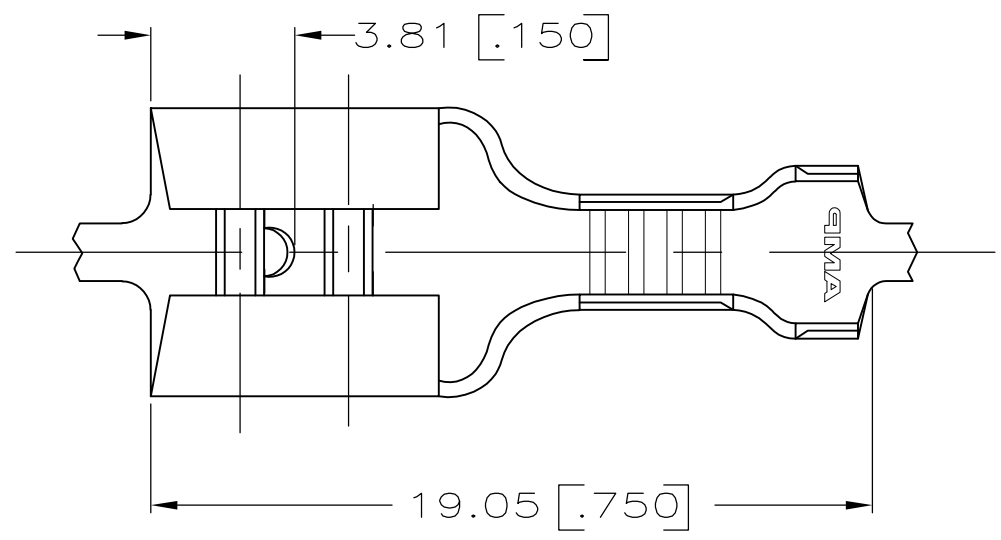
Email & Skype: info@chipsmall.com Web: www.chipsmall.com

Address: A1208, Overseas Decoration Building, #122 Zhenhua RD., Futian, Shenzhen, China

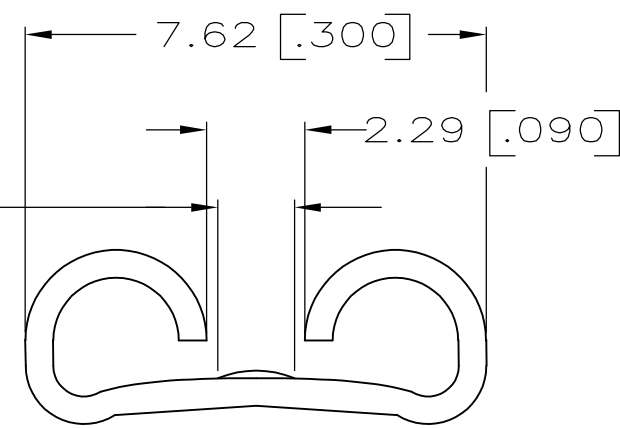


THIS DRAWING IS UNPUBLISHED. RELEASED FOR PUBLICATION  
 © COPYRIGHT - By - ALL RIGHTS RESERVED.

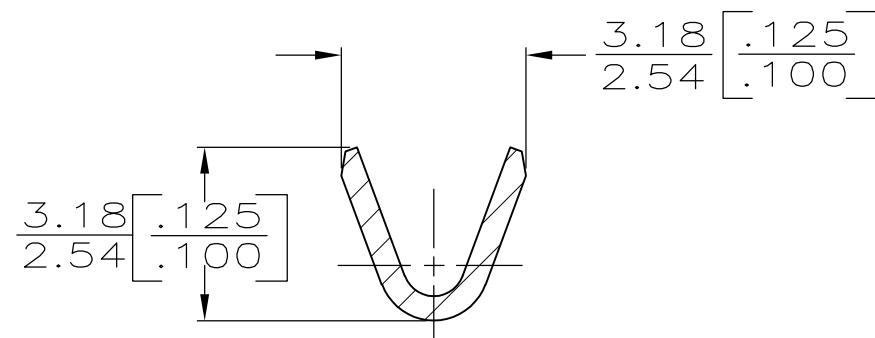
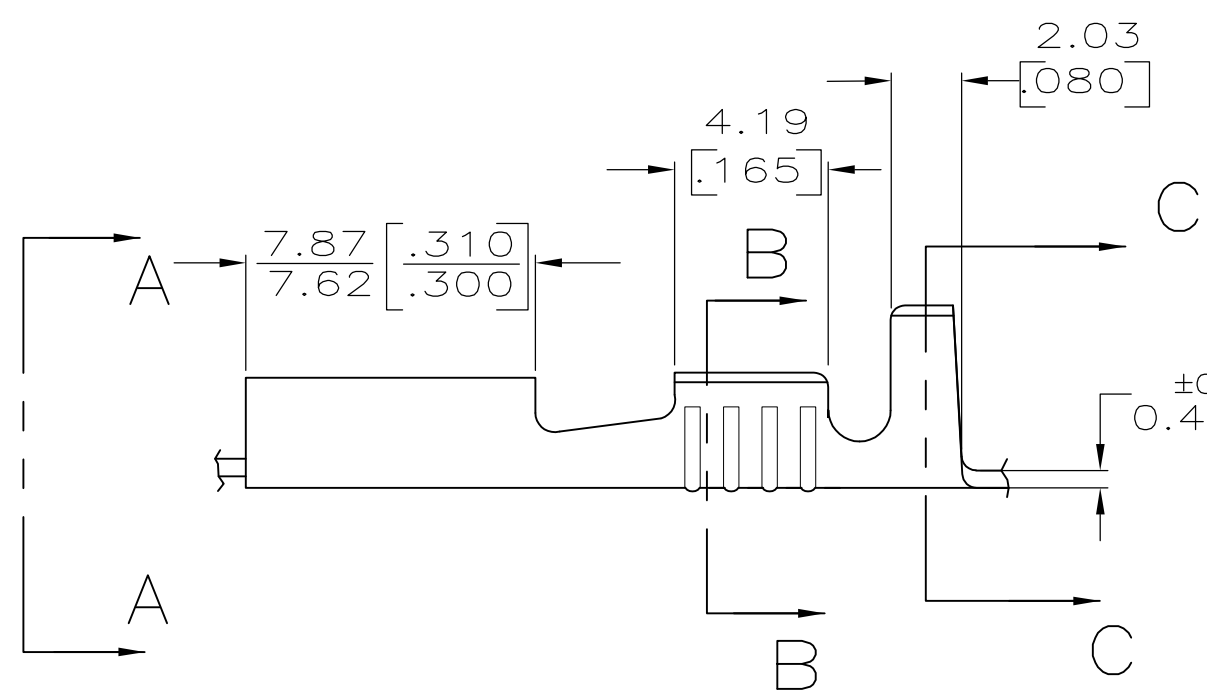
LOC	DIST	REVISIONS					
AF	50	P	LTR	DESCRIPTION	DATE	DWN	APVD
		AA		REVISED PER ECR-12-013445	18OCT12	KH	PD



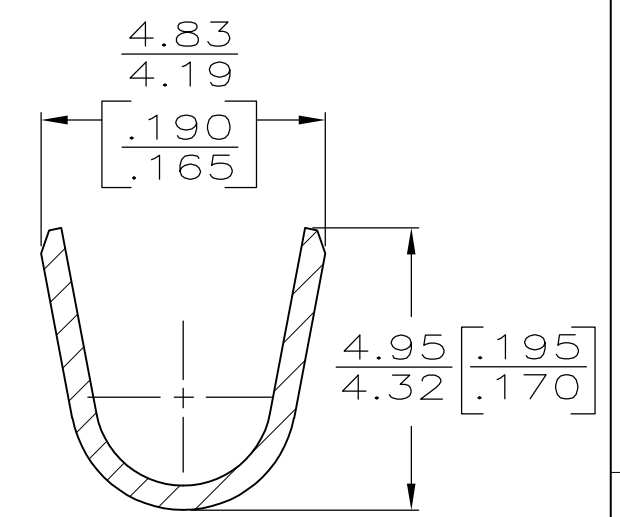
1.52 [.060]  
1.27 [.050]



VIEW A-A  
SCALE 8:1



SECTION B-B  
SCALE 8:1



SECTION C-C  
SCALE 8:1

- 1 DIMENSIONS IN BRACKETS ARE IN INCHES
- 2 CONTINUOUS STRIP ON REELS
- 3 FOREIGN PRODUCTION ONLY
- 4 FOREIGN PRODUCTION ONLY, INTERLEAVING PAPER REQUIRED
- 5 REELED UPSIDE DOWN WITH INTERLEAVING PAPER.
- 6 PRELIMINARY - NOT FOR PRODUCTION
- 7 FOR AMP ITALY ONLY, NOT STRESS RELIEVED.

2.29-3.30 [.090-.130]	0.3-0.8mm <sup>2</sup> [22-18]	±0.025 ±.001 0.81 [.032]	7 1-41772-1 6 41772-4 5 41772-3 4 41772-1 3 41772
INSUL RANGE	WIRE SIZE	MATING TAB THK	PART NO

THIS DRAWING IS A CONTROLLED DOCUMENT.		DWN JR RUTH 4/26/89	<b>STE</b> TE Connectivity		
DIMENSIONS: mm [INCHES]		CHK MS FEHER 4/26/89			
TOLERANCES UNLESS OTHERWISE SPECIFIED:		APVD C MEYERS 4/26/89	NAME RECEPTACLE, FASTON™ .250 SERIES		
0 PLC ± -		PRODUCT SPEC -	SIZE CAGE CODE DRAWING NO RESTRICTED TO		
1 PLC ± -		APPLICATION SPEC 114-2036	A3 00779 C-41772		
2 PLC ± -		WEIGHT -	SCALE 5:1 SHEET 1 OF 1 REV AA		
3 PLC ± 0.25 [.010]		CUSTOMER DRAWING			
4 PLC ± -					
ANGLES ± -					
FINISH TIN					